

Advanced-Solution for Better Life



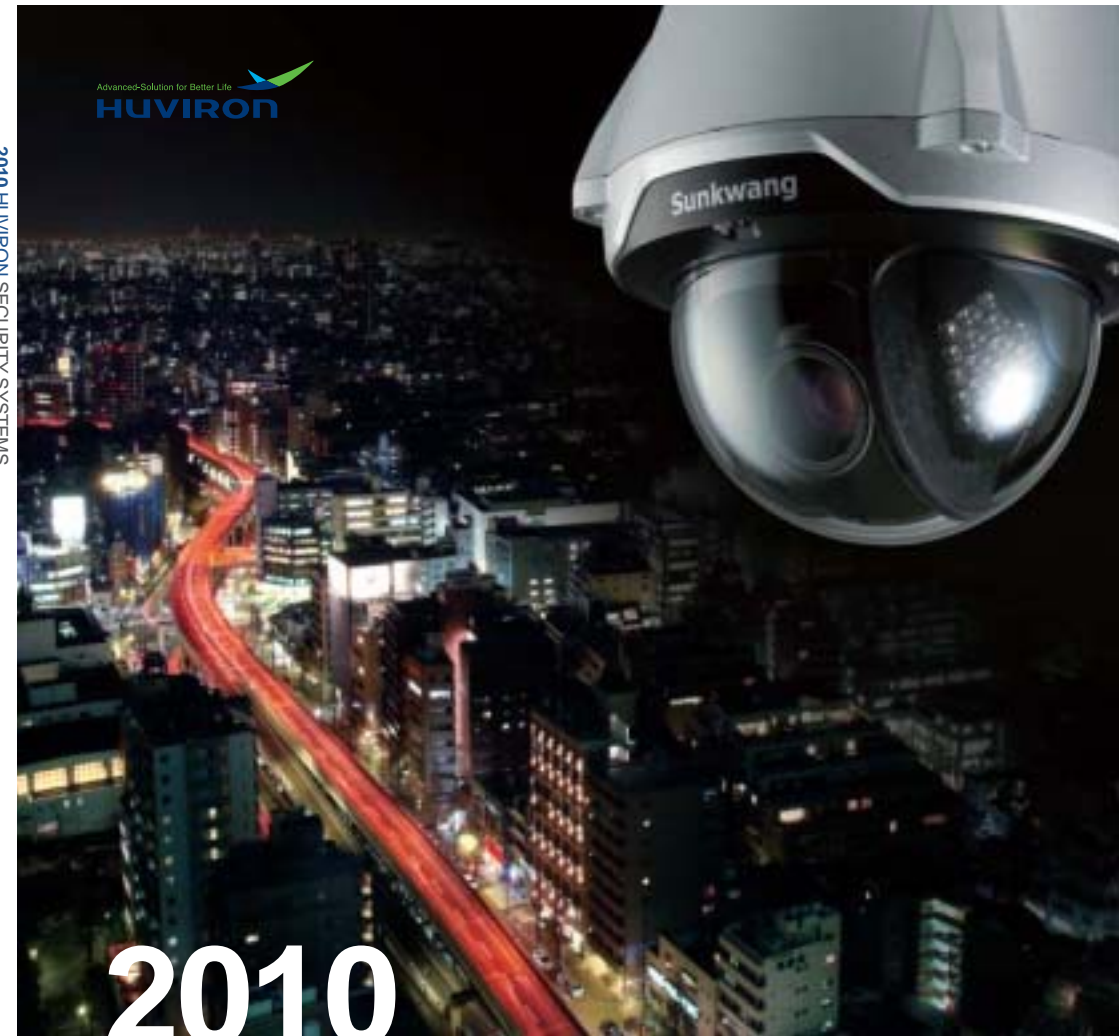
Advanced-Solution for Better Life  
**HUVIRON**  
HUVIRON CO.,LTD.

#365(Bucheon Technopark 301-901),  
Samjeong-Dong, Ojeong-Gu, Bucheon-Si,  
Gyeonggi-Do, 421 - 741, the Republic of Korea  
Tel : +82 - 32 - 326 - 8000 | Fax : +82 - 32 - 326 - 8686  
E-mail : sales@huviron.com | URL : <http://www.huviron.com>



※All specification is subject to change without notice to improve quality.(2010 Ver.)

2010 HUVIRON SECURITY SYSTEMS



# 2010 PRODUCT CATALOGUE

- CCTV CAMERA
- NETWORK CAMERA
- DVR
- CONTORLLER
- LENS
- ACCESSORY

Family

Business

Wealth

Safety



# HUVIRON

## Digital Security Systems

Huviron's technology provides you safe and comfortable living environment.

We, HUVIRON.Co.,Ltd., have been developing and manufacturing security products with our enthusiasm to satisfy all our customers since 1991 and always we strive to be the vanguard in the development of superior products and services. Besides we will dedicate our excellence on quality control and our devotion to make the best security products in the field of electronics.



Family



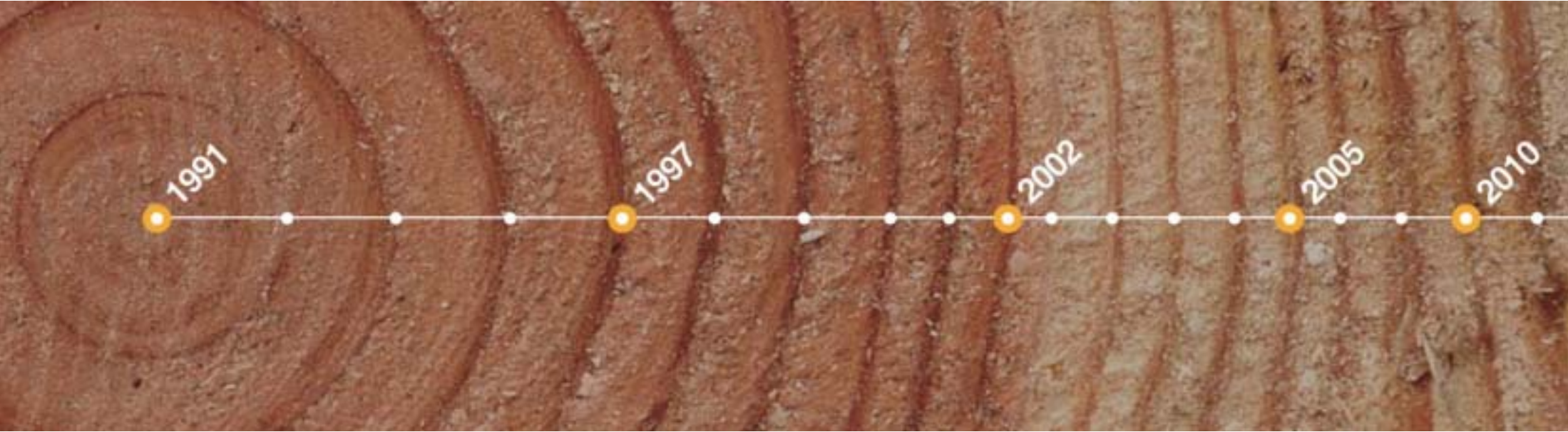
Business



Wealth



Safety



## Establishing Period

- 95 Oct.**  
Developed CCD CAMERA Module
- 91 Oct.**  
Established in 1991

## Growing Period

- 01 May.**  
Registered as Venture Company
- 00 Nov.**  
Awarded "Presidential Prize" from Korea President
- Nov.**  
Awarded "5 Million Dollar Export" from KFTA
- Sep.**  
Established the R&D center
- 99 Mar.**  
Awarded "Promising mid and small sized company" from state government
- Mar.**  
ERP System Operated
- 98 Dec.**  
Acquired "ISO 9002"
- 97 Nov.**  
Awarded "Million Dollar Export" from KFTA

## Preparing leap Period

- 04 May.**  
Moved Factory & head Office for Expansion of Business
- 03 Nov.**  
Awarded "Most promising mid and small sized company" from Korean government.
- Sep.**  
Awarded "INNO-BIZ"
- Aug.**  
Awarded "Superior Technology Company"
- 02 Dec.**  
Listed in "KOSDAQ"  
(Second Largest Stock Market in Korea)
- Nov.**  
Awarded "10 Million Dollar Export" from KFTA
- Jan.**  
Acquired "ISO 9001"

## Leaping Period

- 07 Oct.**  
Awarded "30 Million Dollar Export" from KFTA
- 06 Mar.**  
Changed Company name to Huviron Co.,Ltd.
- Feb.**  
Merged with Bicosys Co.,Ltd
- 05 Nov.**  
Awarded "20 Million Dollar Export" from KFTA
- Aug.**  
Awarded "The Best Product(SK-B400)" from Venture Company/Association

# PRODUCTS Comparison Chart

Type	Model	Page	Image Sensor	Resolution (TVLine)	Lux	Lens	D&N	IP grade	Power	Remark1	Remark2
GEN II CAMERA	 SK-P700IRD/M844AI	23	1/3" SONY 410K	600	0Lux (70m)	5~50mm 3.5~16mm	O	IP67	12V DC 24V AC	IR 70EA	Super HAD II, LWDR
	 SK-P700IRD/M845AI	23	1/3" SONY 410K DD	600	0Lux (70m)	5~50mm 3.5~16mm	O	IP67	12V DC 24V AC	IR 70EA	Super HAD II, WDR
	 SK-P500/M844AI	24	1/3" SONY 410K	600	0Lux (40m)	2.8~12mm 9~22mm	O	IP65	12V DC 24V AC	IR 30EA	Super HAD II, LWDR
	 SK-P500/M845AI	24	1/3" SONY 410K DD	600	0Lux (40m)	2.8~12mm 9~22mm	O	IP65	12V DC 24V AC	IR 30EA	Super HAD II, WDR
	 SK-D300IRD/M844AI	25	1/3" SONY 410K	600	0Lux (25m)	2.8~12mm	O	—	12V DC 24V AC	IR 24EA	Super HAD II, LWDR
	 SK-D300IRD/M845AI	25	1/3" SONY 410K DD	600	0Lux (25m)	2.8~12mm	O	—	12V DC 24V AC	IR 24EA	Super HAD II, WDR
	 SK-V251IRD/M844AI	26	1/3" SONY 410K	600	0Lux (25m)	2.8~12mm	O	IP67	12V DC 24V AC	IR 24EA	Super HAD II, LWDR
	 SK-V251IRD/M845AI	26	1/3" SONY 410K DD	600	0Lux (25m)	2.8~12mm	O	IP67	12V DC 24V AC	IR 24EA	Super HAD II, WDR
	 SK-P441/M844AI	27	1/3" SONY 410K	600	0Lux (70m)	5~50mm	O	IP66	12V DC 24V AC	IR 70EA	Super HAD II, LWDR
	 SK-P440/M844AI	27	1/3" SONY 410K	600	0Lux (50m)	3.5~16mm	O	IP66	12V DC 24V AC	IR 40EA	Super HAD II, LWDR
	 SK-P441/M845AI	27	1/3" SONY 410K DD	600	0Lux (70m)	5~50mm	O	IP66	12V DC 24V AC	IR 70EA	Super HAD II, WDR
	 SK-P440/M845AI	27	1/3" SONY 410K DD	600	0Lux (50m)	3.5~16mm	O	IP66	12V DC 24V AC	IR 40EA	Super HAD II, WDR

Type	Model	Page	Image Sensor	Resolution (TVLine)	Lux	Lens	D&N	IP grade	Power	Remark1	Remark2
GEN II CAMERA	 SK-D106/M864FF SK-D107/M864FF	28	1/3" SONY 410K	600	0.0003 Lux	2.8~10mm PANFOCUS	O	—	12V DC	PTZ	Super HAD II, LWDR
	 SK-D106/M865FF SK-D107/M865FF	28	1/3" SONY 410K DD	600	0.0003 Lux	2.8~10mm PANFOCUS	O	—	12V DC	PTZ	Super HAD II, WDR
	 SK-V106/M864FF SK-V107/M864FF	29	1/3" SONY 410K	600	0.0003 Lux	2.8~10mm PANFOCUS	O	—	12V DC	PTZ	Super HAD II, LWDR
	 SK-V106/M865FF SK-V107/M865FF	29	1/3" SONY 410K DD	600	0.0003 Lux	2.8~10mm PANFOCUS	O	—	12V DC	PTZ	Super HAD II, WDR
IR 70EA DAY & NIGHT CAMERA	 SK-P700IRD/M843AI	31	1/3" SONY 410K	600	0Lux (70m)	5~50mm 3.5~16mm	O	IP67	12V DC 24V AC	IR 70EA	Super HAD II
	 SK-P700IRD/M544AI	32	1/3" SONY 410K	560	0Lux (70m)	5~50mm 3.5~16mm	O	IP67	12V DC 24V AC	IR 70EA	DWDR, HAWK
	 SK-P700IRD/M945AI	33	1/3" SONY 410K DD	580	0Lux (70m)	5~50mm 3.5~16mm	O	IP67	12V DC 24V AC	IR 70EA	WDR, SV4
	 SK-P700IRD/M946AI	33	1/3" SONY 410K	600	0Lux (70m)	5~50mm 3.5~16mm	O	IP67	12V DC 24V AC	IR 70EA	SSDR, W5
	 SK-P700IRD/M340AI	34	1/3" SONY 0.5M	700	0Lux (70m)	5~50mm 3.5~16mm	O	IP67	12V DC 24V AC	IR 70EA	960H, WDR, EFFIO
	 SK-P441	35	1/3" SONY 410K	550	0Lux (70m)	5~50mm	O	IP66	12V DC 24V AC	IR 70EA	Super HAD II, HQ1
	 SK-P441/M843AI	42	1/3" SONY 410K	600	0Lux (70m)	5~50mm	O	IP66	12V DC 24V AC	IR 70EA	Super HAD II
	 SK-P441/M340AI	36	1/3" SONY 0.5M	700	0Lux (70m)	5~50mm	O	IP66	12V DC 24V AC	IR 70EA	960H, WDR, EFFIO

# PRODUCTS Comparison Chart

Type	Model	Page	Image Sensor	Resolution (TVLine)	Lux	Lens	D&N	IP grade	Power	Remark1	Remark2
IR 70EA DAY & NIGHT CAMERA	 SK-P441/M763AI	37	1/3" SONY 410K	530	0Lux (70m)	5~50mm	O	IP66	12V DC 24V AC	IR 70EA	Super HAD II
	 SK-P360IR	38	1/3" SONY 410K	530	0Lux (50m)	6.0mm	O	IP67	12V DC	IR 70EA	Super HAD II
	 SK-P370IR	38	1/3" SONY 270K	380	0Lux (50m)	6.0mm	O	IP67	12V DC	IR 70EA	Super HAD
IR 40~48EA DAY & NIGHT CAMERA	 SK-P361IR/M863	39	1/3" SONY 410K	600	0Lux (40m)	6.0mm	O	IP67	12V DC	IR 48EA	Super HAD II
	 SK-P371IR/M503	39	1/3" SONY 270K	380	0Lux (40m)	6.0mm	O	IP67	12V DC	IR 48EA	Super HAD II
	 SK-P361IR/M842AI	40	1/3" SONY 410K	600	0Lux (40m)	2.8~12mm	O	IP67	12V DC (24V AC)	IR 40EA	Super HAD II
	 SK-P361IR/M862AI	40	1/3" SHARP 410K	600	0Lux (40m)	4~9mm	O	IP67	12V DC	IR 40EA	Super HAD II
	 SK-P440	41	1/3" SONY 410K	550	0Lux (50m)	3.8~9.5mm	O	IP66	12V DC 24V AC	IR 40EA	Super HAD II, HQ1
	 SK-P440/M843AI	42	1/3" SONY 410K	600	0Lux (50m)	3.5~16mm	O	IP66	12V DC 24V AC	IR 40EA	Super HAD II
	 SK-P440/M340AI	36	1/3" SONY 0.5M	700	0Lux (50m)	3.5~16mm	O	IP66	12V DC 24V AC	IR 40EA	960H, WDR, EFFIO
IR 30EA DAY & NIGHT CAMERA	 SK-P500/Z240(X)	43	1/4" SONY 410K	480	0Lux (40m)	10X Zoom (3.8~38.0 mm)	O	IP65	12V DC 24V AC	IR 30EA	Super HAD, EXview HAD
	 SK-P500/M843AI	44	1/3" SONY 410K	600	0Lux (40m)	2.8~12m	O	IP65	12V DC 24V AC	IR 30EA	Super HAD II

Type	Model	Page	Image Sensor	Resolution (TVLine)	Lux	Lens	D&N	IP grade	Power	Remark1	Remark2	
IR 30EA DAY & NIGHT CAMERA	 	SK-P500/M544AI	45	1/3" SONY 410K	560	0Lux (40m)	2.8~12mm	O	IP65	12V DC 24V AC	IR 30EA	DWDR, HAWK
		SK-P500/M945AI	46	1/3" SONY 410K DD	580	0Lux (40m)	2.8~12mm	O	IP65	12V DC 24V AC	IR 30EA	WDR, SV4
	 	SK-P500/M946AI	46	1/3" SONY 410K	600	0Lux (40m)	2.8~12mm	O	IP65	12V DC 24V AC	IR 30EA	SSDR, W5
	 	SK-P500/M340AI	47	1/3" SONY 0.5M	700	0Lux (40m)	2.8~12mm	O	IP65	12V DC 24V AC	IR 30EA	960H, WDR, EFFIO
		SK-P500/M763AI	48	1/3" SONY 410K	530	0Lux (40m)	2.8~12mm	O	IP65	12V DC 24V AC	IR 30EA	Super HAD II
		SK-P600X	49	1/3" SONY 410K	480	0Lux (40m)	3.8mm 6.0mm	O	IP67	12V DC	IR 30EA	EXview HAD
		SK-P600/M363	49	1/3" SONY 410K	500	0Lux (40m)	6.0mm	O	IP67	12V DC	IR 30EA	Super HAD
		SK-P600/M503	49	1/3" SONY 270K	380	0Lux (40m)	6.0mm	O	IP67	12V DC	IR 30EA	Super HAD II
PIPE		SK-2129	50	1/3" SONY 270K	380	0LUX (20m)	4.0mm	O	IP67	12V DC	IR 20EA	Super HAD II
		SK-2149	50	1/3" SONY 410K	500	0LUX (20m)	4.0mm	O	IP67	12V DC	IR 20EA	Super HAD
		SK-2144	51	1/3" SONY 410K	500	0LUX (10m)	6.0mm	O	IP67	12V DC	IR 12EA IR 20EA	Super HAD
		SK-2124	51	1/3" SONY 270K 1/4" SONY 270K	380	0LUX (10m)	6.0mm 3.6mm	O	IP67	12V DC	IR 12EA IR 20EA	Super HAD II

# PRODUCTS Comparison Chart



Type	Model	Page	Image Sensor	Resolution (TVLine)	Lux	Lens	D&N	IP grade	Power	Remark1	Remark2	
PIPE		SK-P160	52	1/3" SONY 410K	500	0LUX (5m)	4.0mm	O	IP68	12V DC	IR 6EA WHITE 6EA	Super HAD II
		SK-P170	52	1/3" SONY 270K	380	0LUX (3m)	4.0mm	O	IP68	12V DC	IR 6EA WHITE 6EA	Super HAD
		SK-P260	53	1/3" SONY 410K	500	0.1LUX	4~9mm 9~22mm	—	IP67	12V DC	NO LED	Super HAD II
		SK-P270	53	1/3" SONY 270K	380	0.1LUX	4~9mm 9~22mm	—	IP67	12V DC	NO LED	Super HAD
		SK-2120	54	1/4" SONY 270K	330	0LUX (5m)	3.6mm	O	IP68	12V DC	IR 8EA WHITE 6EA	Super HAD
		SK-2029(X)	50	1/3" BW SONY 270K	400	0LUX (30m)	4.0mm 6.0mm	—	IP67	12V DC	IR 20EA	Super HAD EXview HAD
		SK-2044	51	1/3" BW SONY 410K	570	0LUX (10m)	3.6mm	—	IP67	12V DC	IR 12EA	Super HAD
		SK-2024	51	1/3" BW SONY 270K	400	0LUX (10m)	3.6mm	—	IP67	12V DC	IR 12EA	Super HAD
		SK-2020(X)	55	1/3" BW SONY 270K	400	0LUX (10m)	3.6mm	—	IP68	12V DC	IR 8EA	Super HAD EXview HAD
		SK-2040	55	1/3" BW SONY 410K	570	0LUX (10m)	3.6mm	—	IP68	12V DC	IR 8EA	Super HAD
		SK-2002(X)	56	1/3" BW SONY 270K	400	0.05LUX 0.003LUX	3.6mm	—	—	12V DC	NO LED	Super HAD EXview HAD
		SK-2018	57	1/3" BW SONY 270K	400	0.01LUX	3.6mm	—	IP67	12V DC	NO LED	Super HAD



Type	Model	Page	Image Sensor	Resolution (TVLine)	Lux	Lens	D&N	IP grade	Power	Remark1	Remark2
PIXIM WDR	 SK-P700IRD/MP13AI	58	1/3" PIXIM DPS 388K	540	0Lux (70m)	5~50mm 3.5~16mm	O	IP67	12V DC 24V AC	IR 70EA	WDR SENSE up
	 SK-D300IRD/MP13AI	59	1/3" PIXIM DPS 388K	540	0LUX (25m)	2.8~12mm	O	—	12V DC 24V AC	IR 24EA	WDR SENSE up
	 SK-V251IRD/MP13AI	60	1/3" PIXIM DPS 388K	540	0LUX (25m)	2.8~12mm	O	IP67	12V DC 24V AC	IR 24EA	WDR SENSE up
	 SK-D300/MP13AI	61	1/3" PIXIM DPS 388K	540	0.1LUX	2.8~12mm	O	—	12V DC	NO LED	WDR SENSE up
	 SK-V251D/MP13AI	62	1/3" PIXIM DPS 388K	540	0.1LUX	2.8~12mm	O	IP67	12V DC 24V AC	NO LED	WDR SENSE up
	 SK-2124/MP14	63	1/3" PIXIM DPS 388K	540	0.1LUX	6.0mm	O	IP67	12V DC	NO LED	WDR SENSE up
	 SK-D385/MP14	64	1/3" PIXIM DPS 388K	540	0.1LUX	3.6mm	O	—	12V DC	NO LED	WDR SENSE up
INDOOR IR DOME	 SK-D300IRD/M843AI	65	1/3" SONY 410K	600	0LUX (25m)	2.8~12mm	O	—	12V DC 24V AC	IR 24EA	Super HAD II
	 SK-D300IRD/M544AI	66	1/3" SONY 410K	560	0LUX (25m)	2.8~12mm	O	—	12V DC 24V AC	IR 24EA	DWDR, HAWK
	 SK-D300IRD/M945AI	67	1/3" SONY 410K DD	580	0LUX (25m)	2.8~12mm	O	—	12V DC 24V AC	IR 24EA	WDR, SV4
	 SK-D300IRD/M946AI	67	1/3" SONY 410K	600	0LUX (25m)	2.8~12mm	O	—	12V DC 24V AC	IR 24EA	SSDR, W5
	 SK-D300IRD/M340AI	68	1/3" SONY 0.5M	700	0LUX (25m)	2.8~12mm	O	—	12V DC 24V AC	IR 24EA	960H, WDR, EFFIO

# PRODUCTS Comparison Chart

Type	Model	Page	Image Sensor	Resolution (TVLine)	Lux	Lens	D&N	IP grade	Power	Remark1	Remark2
INDOOR IR DOME	 SK-D300IR/M763AI	69	1/3" SONY 410K	530	0LUX (25m)	2.8~12mm	O	—	12V DC (24V AC)	IR 24EA	Super HAD II
	 SK-D300IR/M410AI	69	1/3" SONY 410K	550	0LUX (25m)	2.8~12mm	O	—	12V DC	IR 24EA	Super HAD II, HQ1
	 SK-D300IR/M503AI	69	1/3" SONY 270K	380	0LUX (25m)	2.8~12mm	O	—	12V DC	IR 24EA	Super HAD II
	 SK-D385IR/M863	70	1/3" SONY 410K	600	0LUX (15m)	2.8~12mm	O	—	12V DC	IR 14EA	Super HAD II
	 SK-D385IR/M873	70	1/3" SONY 270K	380	0LUX (15m)	2.8~12mm	O	—	12V DC	IR 14EA	Super HAD II
OUT- DOOR IR DOME	 SK-D400IRD/M843AI	71	1/3" SONY 410K	600	0LUX (25m)	2.8~12mm	O	IP67	12V DC 24V AC	IR 24EA	Super HAD II
	 SK-D400IRD/M544AI	72	1/3" SONY 410K	560	0LUX (25m)	2.8~12mm	O	IP67	12V DC 24V AC	IR 24EA	DWDR, HAWK
	 SK-D400IRD/M945AI	73	1/3" SONY 410K DD	580	0LUX (25m)	2.8~12mm	O	IP67	12V DC 24V AC	IR 24EA	WDR, SV4
	 SK-D400IRD/M946AI	73	1/3" SONY 410K	600	0LUX (25m)	2.8~12mm	O	IP67	12V DC 24V AC	IR 24EA	SSDR, W5
	 SK-D400IRD/M340AI	74	1/3" SONY 0.5M	700	0LUX (25m)	2.8~12mm	O	IP67	12V DC 24V AC	IR 24EA	960H, WDR, EFFIO
	 SK-D400IR/M763AI	75	1/3" SONY 410K	530	0LUX (25m)	2.8~12mm	O	IP67	12V DC 24V AC	IR 24EA	Super HAD II
	 SK-D400IR/M410AI	75	1/3" SONY 410K	550	0LUX (25m)	2.8~12mm	O	IP67	12V DC (24V AC)	IR 24EA	Super HAD II, HQ1

Type	Model	Page	Image Sensor	Resolution (TVLine)	Lux	Lens	D&N	IP grade	Power	Remark1	Remark2
OUT-DOOR IR DOME	  SK-D400IR/M503AI	75	1/3" SONY 270K	380	0LUX (25m)	2.8~12mm	O	IP67	12V DC	IR 24EA	Super HAD II
VANDAL-PROOF IR DOME	 SK-V251IRD/M843AI	76	1/3" SONY 410K	600	0LUX (25m)	2.8~12mm	O	IP67	12V DC 24V AC	IR 24EA	Super HAD II
	  SK-V251IRD/M544AI	77	1/3" SONY 410K	560	0LUX (25m)	2.8~12mm	O	IP67	12V DC 24V AC	IR 24EA	DWDR, HAWK
	 SK-V251IRD/M945AI	78	1/3" SONY 410K DD	580	0LUX (25m)	2.8~12mm	O	IP67	12V DC 24V AC	IR 24EA	WDR, SV4
	  SK-V251IRD/M946AI	78	1/3" SONY 410K	600	0LUX (25m)	2.8~12mm	O	IP67	12V DC 24V AC	IR 24EA	SSDR, W5
	  SK-V251IRD/M340AI	79	1/3" SONY 0.5M	700	0LUX (25m)	2.8~12mm	O	IP67	12V DC 24V AC	IR 24EA	960H, WDR, EFFIO
	 SK-V251IRD/M763AI	80	1/3" SONY 410K	530	0LUX (25m)	2.8~12mm	O	IP67	12V DC 24V AC	IR 24EA	Super HAD II
	 SK-V251IR/M410AI	80	1/3" SONY 410K	550	0LUX (25m)	2.8~12mm	O	IP67	12V DC	IR 24EA	Super HAD II, HQ1
	 SK-V251IR/M503AI	80	1/3" SONY 270K	380	0LUX (25m)	2.8~12mm	O	IP67	12V DC	IR 24EA	Super HAD II
	OUTDOOR DOME	 SK-D400 SERIES		Refer to SK-D400IR SERIES							
INDOOR DOME	 SK-D300/M863AI	82	1/3" SONY 410K	600	0.1LUX	2.8~12mm	O	—	12V DC (24V AC)	—	Super HAD II
	  SK-D300/M544AI	82	1/3" SONY 410K	560	0.0009 LUX	2.8~12mm	O	—	12V DC (24V AC)	—	DWDR, HAWK

# PRODUCTS Comparison Chart

Type	Model	Page	Image Sensor	Resolution (TVLine)	Lux	Lens	D&N	IP grade	Power	Remark1	Remark2
INDOOR DOME	 SK-D300/M945AI	82	1/3" SONY 410K DD	580	0.0004 LUX	2.8~12mm	O	—	12V DC (24V AC)	—	WDR, SV4
	 SK-D300/M763AI	82	1/3" SONY 410K	530	0.1LUX	2.8~12mm	O	—	12V DC (24V AC)	—	Super HAD II
	 SK-D300/M410(AI)	81	1/3" SONY 410K	550	0.1LUX	3.6mm 2.8~12mm	—	—	12V DC (24V AC)	—	Super HAD II, HQ1
	 SK-D300/M503(AI)	81	1/3" SONY 270K	380	0.05 LUX	3.6mm 2.8~12mm	—	—	12V DC (24V AC)	—	Super HAD II
	 SK-D385/M863AI	83	1/3" SONY 410K	600	0.1LUX	2.8~12mm	O	—	12V DC	—	Super HAD II
	 SK-D385/M873AI	83	1/3" SONY 270K	380	0.05 LUX	2.8~12mm	O	—	12V DC	—	Super HAD II
VANDAL-PROOF DOME	 SK-V251/M503(AI)	84	1/3" SONY 270K	380	0.05 LUX	3.6mm 2.8~12mm	—	IP67	12V DC (24V AC)	—	Super HAD II
	 SK-V251/M410(AI)	84	1/3" SONY 410K	550	0.1LUX	3.6mm 2.8~12mm	—	IP67	12V DC (24V AC)	—	Super HAD II, HQ1
	 SK-V251/M863AI	85	1/3" SONY 410K	600	0.1LUX	2.8~12mm	O	IP67	12V DC (24V AC)	—	Super HAD II
	 SK-V251/M763AI	85	1/3" SONY 410K	530	0.1LUX	2.8~12mm	O	IP67	12V DC (24V AC)	—	Super HAD II
	 SK-V251/M945AI	85	1/3" SONY 410K DD	580	0.0004 LUX	2.8~12mm	O	IP67	12V DC (24V AC)	—	WDR, SV4
	 SK-V251/M544AI	85	1/3" SONY 410K	560	0.0009 LUX	2.8~12mm	O	IP67	12V DC (24V AC)	—	DWDR, HAWK

Type	Model	Page	Image Sensor	Resolution (TVLine)	Lux	Lens	D&N	IP grade	Power	Remark1	Remark2
VANDAL-PROOF DOME	 SK-V318/M503(AI)	87	1/3" SONY 270K	380	0.05 LUX	3.6mm 4~9mm	—	IP66	12V DC	Small size	Super HAD II
	 SK-V318/M410(AI)	87	1/3" SONY 410K	550	0.1LUX	3.6mm 2.8~12mm	—	IP66	12V DC	Small size	Super HAD II, HQ1
PTZ DOME CAMERA	 SK-D106/M863FF	88	1/3" SONY 410K	600	0.1LUX	2.8~10mm PAN FOCUS	O	—	12V DC	PAN: 0°~350°	Super HAD II
	 SK-D107/M863FF	88	1/3" SONY 410K	600	0.1LUX	2.8~10mm PAN FOCUS	O	—	12V DC	END-LESS PAN	Super HAD II
	 SK-V106/M863FF	89	1/3" SONY 410K	600	0.1LUX	2.8~10mm PAN FOCUS	O	—	12V DC	PAN: 0°~350°	Super HAD II
	 SK-V107/M863FF	89	1/3" SONY 410K	600	0.1LUX	2.8~10mm PAN FOCUS	O	—	12V DC	END-LESS PAN	Super HAD II
	 SK-D106/Z240	90	1/4" SONY 410K	480	0.1LUX	10X Zoom (3.8~38.0mm)	O	—	12V DC	PAN: 0°~350°	Super HAD
	 SK-D107/Z240	90	1/4" SONY 410K	480	0.1LUX	10X Zoom (3.8~38.0mm)	O	—	12V DC	END-LESS PAN	Super HAD
	 SK-V106/Z240	91	1/4" SONY 410K	480	0.1LUX	10X Zoom (3.8~38.0mm)	O	—	12V DC	PAN: 0°~350°	Super HAD
	 SK-V107/Z240	91	1/4" SONY 410K	480	0.1LUX	10X Zoom (3.8~38.0mm)	O	—	12V DC	END-LESS PAN	Super HAD
HIGH SPEED DOME CAMERA	 SK-S200/Z940	92	1/4" SONY 410K	530	0.0001 LUX	36X Zoom (3.4~122.4mm)	O	—	24V AC	WDR SENSE up	EXview HAD
	 SK-S200/Z160(X)	93	1/4" SONY 410K	480	1LUX 0.1LUX	22X Zoom (3.9~85.8mm)	O	—	24V AC	—	Super HAD EXview HAD

# PRODUCTS Comparison Chart






Type	Model	Page	Image Sensor	Resolution (TVLine)	Lux	Lens	D&N	IP grade	Power	Remark1	Remark2
HIGH SPEED DOME CAMERA	 SK-S200/Z140(X)	93	1/4" SONY 410K	480	0.1LUX 0.01LUX	22X Zoom (3.9~85.8 mm)	O	—	24V AC	—	Super HAD EXview HAD
	 SK-V207IR/Z946	95	1/4" SONY 410K	560	0LUX (30m)	12X Zoom (3.94~46.05 mm)	O	—	12V DC 24V AC	IR 40EA PTZ	Super HAD II
ZOOM CAMERA	 SK-Z161(X)	96	1/4" SONY 410K	480	1LUX 0.1LUX	22X Zoom (3.9~85.8 mm)	O	—	12V DC	—	Super HAD EXview HAD
	 SK-Z141(X)	96	1/4" SONY 410K	480	0.1LUX 0.01LUX	22X Zoom (3.9~85.8 mm)	O	—	12V DC	—	Super HAD EXview HAD
STANDARD C & CS CAMERA	 SK-B161/M945AI	97	1/3" SONY 410K DD	580	0.0004 LUX	—	O	—	12V DC 24V AC	FULL OSD	WDR, SV4
	 SK-B161/M946AI	97	1/3" SONY 410K	600	0.0002 LUX	—	O	—	12V DC 24V AC	FULL OSD	SSDR, W5
	 SK-B140(X)	98	1/3" SONY 410K	550	0.05LUX 0.01LUX	—	O	—	12V DC 24V AC	—	Super HAD EXview HAD
	 SK-B141	99	1/3" SONY 410K	530	0.01 LUX	—	O	—	12V DC	FULL OSD	Super HAD II
	 SK-B161	99	1/3" SONY 410K	530	0.1LUX	—	O	—	12V DC	FULL OSD	Super HAD II
	 SK-B160(X)	100	1/3" SONY 410K	550	0.1LUX 0.05LUX	—	—	—	12V DC	—	Super HAD EXview HAD
	 SK-B260	101	1/3" SHARP 410K	530	0.1LUX	—	O	—	12V DC	SMALL SIZE	FULL OSD
	 SK-B270	101	1/3" SHARP 270K	380	0.05LUX	—	O	—	12V DC	SMALL SIZE	FULL OSD

Type	Model	Page	Image Sensor	Resolution (TVLine)	Lux	Lens	D&N	IP grade	Power	Remark1	Remark2
STANDARD C & CS CAMERA	 SK-2006(X)AI	102	1/3" BW SONY 270K	400	0.05LUX 0.003 LUX	—	—	—	12V DC	—	Super HAD EXview HAD
	 SK-2046(X)AI	102	1/3" BW SONY 410K	570	0.09LUX 0.009 LUX	—	—	—	12V DC	—	Super HAD EXview HAD
MINIATURE CAMERA	 SK-C865(PH5)	103	1/3" SONY 410K	600	0.1LUX	3.6mm 3.7mm	O	—	12V DC	Size : 31.8x31.8 mm	Super HAD II
	 SK-C160IR	104	1/3" SONY 410K	530	0LUX (10m)	3.6mm	O	—	12V DC	IR 8EA	Super HAD II
	 SK-C170IR	104	1/3" SONY 270K	380	0LUX (10m)	3.6mm	O	—	12V DC	IR 8EA	Super HAD II
	 SK-C364(PH5)	105	1/3" SONY 410K	500	0.5LUX	3.6mm 3.7mm	—	—	12V DC	Size : 37x37mm	Super HAD
	 SK-C500(PH5)	105	1/3" SONY 270K	380	0.05LUX	3.6mm 3.7mm	—	—	12V DC	Size : 31.8x31.8 mm	Super HAD II
	 SK-C560(PH5)	105	1/3" SONY 410K	500	0.5LUX	3.6mm 3.7mm	—	—	12V DC	Size : 31.8x31.8 mm	Super HAD
	 SK-2115(PH5)	105	1/4" SONY 270K	380	0.1LUX	3.6mm 4.6mm	—	—	12V DC	Size : 37x37mm	Super HAD
	 SK-2155(PH5)	105	1/3" CMOS 320K	380	0.1LUX	3.6mm 3.7mm	—	—	12V DC	Size : 31x1mm	CMOS
	 SK-2005(X)(PH)	105	1/3" BW SONY 270K	400	0.05LUX 0.003 LUX	3.6mm 3.7mm	—	—	12V DC	Size : 31x31mm	Super HAD EXview HAD
	 SK-2081(X)(PH)	105	1/3" BW SONY 270K	400	0.05LUX 0.003 LUX	3.6mm 3.7mm	—	—	12V DC	Size : 25.2x25.2 mm	Super HAD EXview HAD

# PRODUCTS Comparison Chart

Type	Model	Page	Image Sensor	Resolution (TVLine)	Lux	Lens	D&N	IP grade	Power	Remark1	Remark2
CAMERA MODULE	 SK-M410AI	106	1/3" SONY 410K	550	0.1LUX	4~9mm	—	—	12V DC	Size: 38x38mm	Super HAD II, HQ1
	 SK-M504	106	1/3" SONY 270K	380	0.05LUX	3.6mm	—	—	12V DC	Size: 32x32mm	Super HAD II
	 SK-1004	106	1/3" BW SONY 270K	400	0.05LUX	3.6mm	—	—	12V DC	Size: 32x32mm	Super HAD
	 SK-M201	106	1/3" BW SONY 410K	570	0.5LUX	3.6mm	—	—	12V DC	Size: 32x32mm	Super HAD
	 SK-1009	106	1/3" BW SONY 270K	400	0LUX	3.6mm	—	—	12V DC	Size: 54x38mm IR 6EA	Super HAD
NETWORK CAMERA	 SK-N290	108	1/3" SONY 1.3M	1280X960 pixel	0.01LUX	2.8~10mm PAN FOCUS	—	—	12V DC POE	PTZ	Progressive SCAN
	 SK-N190XAI/R1	109	1/3" SONY 1.3M	1280X960 pixel	0LUX (40m)	3.5~16mm	O	IP65	12V DC POE	IR 30EA	Progressive SCAN
	 SK-N590XAI	110	1/3" SONY 1.3M	1280X960 pixel	0.01LUX	3.5~16mm	O	IP67	12V DC POE	—	Vandal-proof
	 SK-N590IRXAI	111	1/3" SONY 1.3M	1280X960 pixel	0LUX (25m)	3.5~16mm	O	IP67	12V DC POE	IR 24EA	Vandal-proof
	 SK-N490X(AI)/DN	112	1/3" SONY 1.3M	1280X960 pixel	0.01LUX	3.5~16mm (4.2mm)	O	—	12V DC	—	Progressive SCAN
CON-TROLLER	SK-AR11, AR12, AR13	114	Refer to related page								
LENS	SKV, SKB, SKC, SKP	117	Refer to related page								
ACCE-SORRY	BRACKET, SUNVISOR	120	Refer to related page								



Type	Model	Page	Codec	Recording (FPS)	Channel (CH)	Jog Shuttle	HDD	DVD Burner	VGA	Alarm (IN/OUT)	Power
STAND-ALONE DVR	 SK-R312/4L	124	H.264	120 at 720x240	4	—	1	N/A	1280x1024	4/1	12V DC, 3~5A
	 SK-R324/8L	124	H.264	240 at 352x240	8	—	1	N/A	1280x1024	4/1	12V DC, 3~5A
	 SK-R312/4	126	H.264	120 at 720x240	4	O	2(4)	Option	1280x1024	4/4	12V DC, 5A
	 SK-R324/8	126	H.264	240 at 352x240	8	O	2(4)	Option	1280x1024	8/4	12V DC, 5A
	 SK-R324/16	126	H.264	240 at 352x240	16	O	2(4)	Option	1280x1024	16/4	12V DC, 7A
	 SK-R348/16	126	H.264	480 at 352x240	16	O	4	Option	1280x1024	16/4	100~220V AC

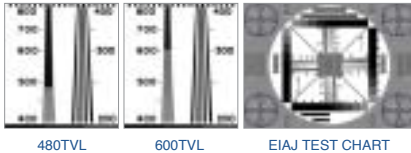
# Adopted the Gen II Chipset

The Gen II is the new generation chipset which has been developed by Huviron using new image signal processing technology.



## Supreme resolution(600TV-Line)

The camera provides 600TV Line color image by full digital image processing.



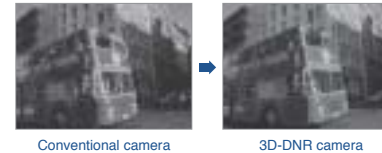
## Super WDR function

The camera control the light level automatically. It shows an object clearly in places with frequent back light such as a building lobby or an airport.



## 3D Digital Noise Reduction(DNR)

Conventional camera is normally hard to avoid dragging and stretching of image but the camera employs 3D DNR to provide a clear image by blocking video noise in low-light level surveillance.



## Impact detection

If the camera got a shock from an intruder, the camera would inform you by printing on the screen and alarm output.



## Low frame WDR(LWDR) function

Low frame WDR function combines long exposure image and short exposure image with gamma correction without double scan ccd. It's cost effective solution.



## Sense up

Sense up provides high quality pictures to captured in very low light condition.



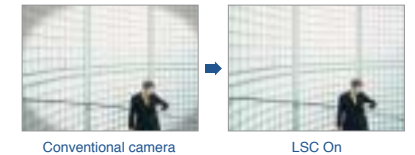
## High Light Compensation(HLC)

The camera equipped with HLC(High Light Compensation) which blocks strong partial backlights. Removing the high light makes it possible to view car registration number efficiently.



## Lens Shading Compensation

The camera is equipped with LSC(Lens Shading Compensation) which compensates brightness of four lens' corners. So that the LSC function activates to get a clear image effectively.



## Auto Defect Pixel Correction

The Gen II provides DPC(Defect Pixel Correction)to get a flawless image, which corrects the defective pixel auto matically when sense up function is enable.



## DIS(Digital Image Stabilizer)

It supports digital image stabilization(DIS) to take clean and shake-free images in shaky environment.



## Multi Language OSD

The Gen II allows On Screen menu setting and supports multiple languages including English, Russian, Spanish, German, etc.



## Best performance on low illumination

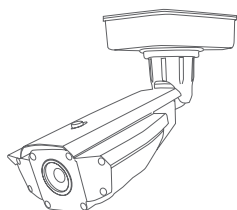
The DSP combined with Sony Super HAD CCD II that achieves ultra low light levels of 0.001 Lux(Color, Sense up), 0.0003 Lux(BW, Sense up)



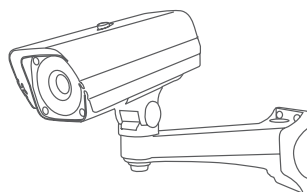


# GEN II CAMERA

The Best Security Solution, Huviron's Technology!



SK-P700IRD/M844AI  
SK-P700IRD/M845AI  
SK-P500/M844AI  
SK-P500/M845AI  
SK-D300IRD/M844AI  
SK-D300IRD/M845AI



SK-V251IRD/M844AI  
SK-V251IRD/M845AI  
SK-P441IRD/M844AI  
SK-P440IRD/M844AI  
SK-P441IRD/M845AI  
SK-P440IRD/M845AI



SK-D106/M864FF  
SK-D107/M864FF  
SK-D106/M865FF  
SK-D107/M865FF  
SK-V106/M864FF  
SK-V107/M864FF  
SK-V106/M865FF  
SK-V107/M865FF

# SK-P700IRD/M844AI, SK-P700IRD/M845AI

## Features

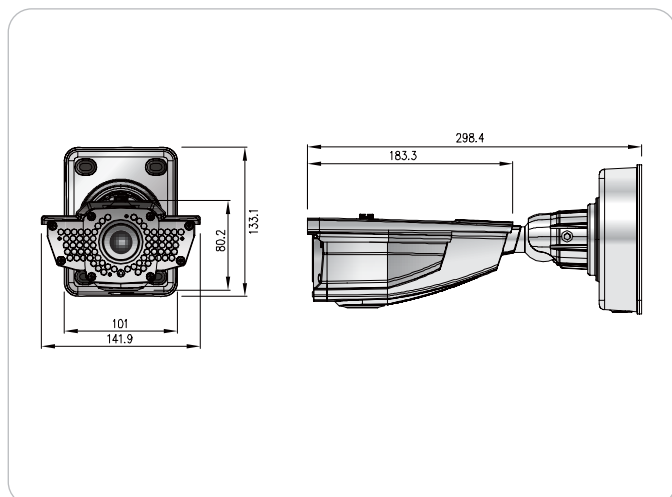
- 70M range visible in total darkness with 70pcs of IR LEDs & 5~50mm lens
- Supreme Resolution (600TV-Line : Color, 700TV-Line : B/W)
- 1/3" COLOR SONY Super HAD CCD II : SK-P700IRD/M844AI  
1/3" COLOR SONY WDR CCD : SK-P700IRD/M845AI
- Huvion GenII DSP
- IR LED output level controllable via RS-485 (PELCO-D, PELCO-P)
- 3-Axis Bracket for 3D(Pan/Tilt/Roll) rotation
- LWDR or Super WDR, DIS(Digital Image Stabilizer), 3D-DNR, Sense up(256X)
- Day & Night function(ICR)
- Split Glass Technology, Waterproof(IP67)
- Using IR Lens to prevent defocusing(F1.2)
- Fan & Heater for extreme temperature operation
- All controls hidden behind an easy access door
- Multi-language Full OSD support
- 12V DC or 24V AC Dual voltage
- MULTI FUNCTION : Lens Shading Compensation, High Light Mask, Motion Detection, Impact Detection, Privacy Mask, Defect Pixel Correction, Freeze, Flip(H/V/Both), Digital Zoom



GEN II  
CAMERA

## Dimension

Unit : mm



## Specification

Model	SK-P700IRD/M844AI	SK-P700IRD/M845AI
Image Sensor	1/3" COLOR SONY SUPER HAD CCD II	1/3" COLOR SONY Vertical Double Density Interline CCD
Pixel	410K	
Scanning System	2:1 Interlace	
Sync. Type	Internal / External(Line-Lock)	
Resolution	600 TV-LINE(COLOR), 700 TV-LINE(B/W)	
S/N	52dB or More(AGC OFF)	
Video Output	1.0 Vp-p(Sync. Negative) Termination 75Ω	
Min. Illumination	0.01 Lux(F/1.2), 0.0003Lux(Sense up)	0.05 Lux(F/1.2), 0.0003Lux(Sense up)
	0 Lux (70M Range at LED HIGH) : Indoor	
Gamma	$\gamma=0.45$ typ.(0.45, 0.6, 1.0, user)	
OSD	Yes(Multi Language)	
White Balance	ATW(2,500°K~9,500°K)/MANUAL/AWC	
Shutter Speed	1/60(1/50)~1/100,000sec	
Sense up	Auto(Selectable limit 2X~256X)/Fixed/Off	
Backlight	BLC/LWDR/HLC/OFF	BLC/WDR/HLC/OFF
AGC	LOW/MIDDLE/HIGH/OFF	
DNR(3D)	LOW/MIDDLE/HIGH/OFF	
Motion Detection	ON/OFF (240 Block)	
Privacy Zone	ON/OFF (8 Zone)	
Mirror	H/V/BOTH	
Freeze	ON/OFF	
Day & Night	ICR(AUTO, COLOR, B/W)	
LED Brightness	70pcs(LOW, MIDDLE, HIGH, OFF)	
DIS	ON/OFF	
Digital Zoom	ON(10X)/OFF	
Blemish Compensation	AUTO/OFF	
Impact Detection	LOW/MIDDLE/HIGH/OFF	
Communication	RS-485(Protocol : Pelco D, Pelco P)	
Lens	Vari-focal auto iris lens	
Power Supply	12V DC or 24V AC(Dual Voltage)	
Current Consumption	MAX. 1.3A(at 12V DC, 24V AC) : LED ON	
Fan, Heater	Yes	
Operation Temp.	-20°C ~ 50°C	
Preservation Temp.	-20°C ~ 60°C	
Dimension	141.9(W) X 80.2(H) X 183.3(D) mm	
Weight	Approx. 1.7kg	

# SK-P500/M844AI, SK-P500/M845AI

## Features

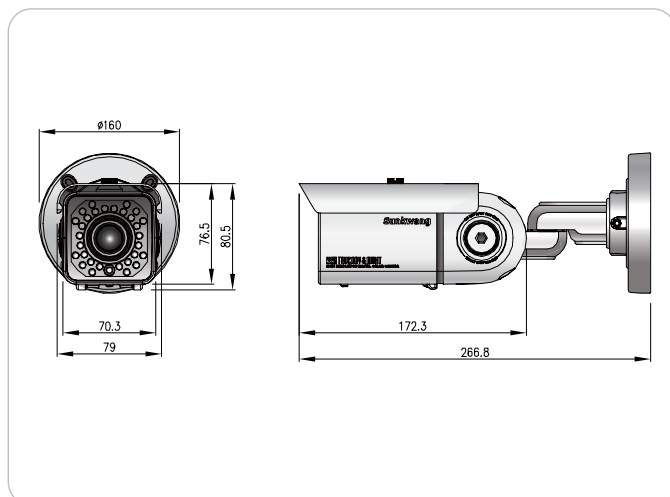
- 40M range visible in total darkness with 30pcs of IR LEDs
- Supreme Resolution (600TV-Line : Color, 700TV-Line : B/W)
- 1/3" COLOR SONY Super HAD CCD II : SK-P500/M844AI  
1/3" COLOR SONY WDR CCD : SK-P500/M845AI
- Huvion GenII DSP
- IR LED output level controllable via RS-485 (PELCO-D, PELCO-P)
- 3-Axis Bracket for 3D(Pan/Tilt/Roll) rotation
- LWDR or Super WDR, DIS(Digital Image Stabilizer), 3D-DNR, Sense up(256X)
- Day & Night function(ICR)
- Split Glass Technology, Weather-proof(IP65)
- Using IR Lens to prevent defocusing. (F1.2)
- Fan(Optional) & Heater for extreme temperature operation
- All controls hidden behind an easy access door
- Multi-language Full OSD support
- 12V DC or 24V AC Dual voltage
- MULTI FUNCTION : Lens Shading Compensation, High Light Mask, Motion Detection, Impact Detection, Privacy Mask, Defect Pixel Correction, Freeze, Flip(H/V/Both), Digital Zoom



GEN II  
CAMERA

## Dimension

Unit : mm



## Specification

Model	SK-P500/M844AI	SK-P500/M845AI
Image Sensor	1/3" COLOR SONY SUPER HAD CCD II	1/3" COLOR SONY Vertical Double Density Interline CCD
Pixel	410K	
Scanning System	2:1 Interlace	
Sync. Type	Internal / External(Line-Lock)	
Resolution	600 TV-LINE(COLOR), 700 TV-LINE(B/W)	
S/N	52dB or More(AGC OFF)	
Video Output	1.0 Vp-p(Sync. Negative) Termination 75Ω	
Min. Illumination	0.01 Lux(F1.2), 0.0003Lux(Sense up)	0.05 Lux(F1.2), 0.0003Lux(Sense up)
	0 Lux (40M Range at LED HIGH) : Indoor	
Gamma	$\gamma=0.45$ typ.(0.45, 0.6, 1.0, user)	
OSD	Yes(Multi Language)	
White Balance	ATW(2,500°K~9,500°K)/MANUAL/AWC	
Shutter Speed	1/60(1/50)~1/100,000sec	
Sense up	Auto(Selectable limit 2X~256X)/Fixed/Off	
Backlight	BLC/LWDR/HLC/OFF	BLC/WDR/HLC/OFF
AGC	LOW/MIDDLE/HIGH/OFF	
DNR(3D)	LOW/MIDDLE/HIGH/OFF	
Motion Detection	ON/OFF (240 Block)	
Privacy Zone	ON/OFF (8 Zone)	
Mirror	H/V/BOTH	
Freeze	ON/OFF	
Day & Night	ICR(AUTO, COLOR, B/W)	
LED Brightness	30pcs(LOW, MIDDLE, HIGH, OFF)	
DIS	ON/OFF	
Digital Zoom	ON(10X)/OFF	
Blemish Compensation	AUTO/OFF	
Impact Detection	LOW/MIDDLE/HIGH/OFF	
Communication	RS-485(Protocol : Pelco D, Pelco P)	
Lens	Vari-focal auto iris lens	
Power Supply	12V DC or 24V AC(Dual Voltage)	
Current Consumption	MAX. 800mA(at 12V DC, 24V AC) : LED ON	
Fan, Heater	Option, Yes	
Operation Temp.	-20°C ~ 50 °C	
Preservation Temp.	-20°C ~ 60 °C	
Dimension	79(W) X 80.5(H) X 172.3(D) mm	
Weight	Approx. 1.2kg	

## INDOOR DOME CAMERA WITH IR LED

# SK-D300IRD/M844AI, SK-D300IRD/M845AI

### Features

- 25M range visible in total darkness with 24pcs of IR LEDs
- Supreme Resolution (600TV-Line : Color, 700TV-Line : B/W)
- 1/3" COLOR SONY Super HAD CCD II : SK-D300IRD/M844AI  
1/3" COLOR SONY WDR CCD : SK-D300IRD/M845AI
- Huvion GenII DSP
- IR LED output level controllable via RS-485 (PELCO-D, PELCO-P)
- 3-Axis Bracket for 3D(Pan/Tilt/Roll) rotation
- LWDR or Super WDR, DIS(Digital Image Stabilizer), 3D-DNR, Sense up(256X)
- Day & Night function(ICR)
- Using IR Lens to prevent defocusing. (F1.2)
- Multi-language Full OSD support
- MULTI FUNCTION : Lens Shading Compensation, High Light Mask, Motion Detection, Impact Detection, Privacy Mask, Defect Pixel Correction, Freeze, Flip(H/V/Both), Digital Zoom
- Fan(Optional) for extreme temperature operation
- Option : 12V DC or 24V AC Dual voltage

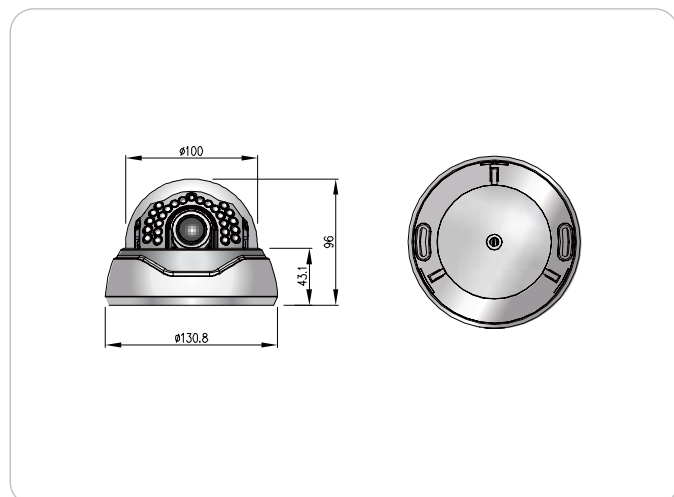
NEW



GEN II  
CAMERA

### Dimension

Unit : mm



### Specification

Model	SK-D300IRD/M844AI	SK-D300IRD/M845AI
Image Sensor	1/3" COLOR SONY SUPER HAD CCD II	1/3" COLOR SONY Vertical Double Density Interline CCD
Pixel	410K	
Scanning System	2:1 Interlace	
Sync. Type	Internal / External(Line-Lock) - Option	
Resolution	600 TV-LINE(COLOR), 700 TV-LINE(B/W)	
S/N	52dB or More(AGC OFF)	
Video Output	1.0 Vp-p(Sync. Negative) Termination 75Ω	
Min. Illumination	0.01 Lux(F1.2), 0.0003Lux(Sense up)	0.05 Lux(F1.2), 0.0003Lux(Sense up)
	0 Lux (25M Range at LED HIGH) : Indoor	
Gamma	$\gamma=0.45$ typ.(0.45, 0.6, 1.0, user)	
OSD	Yes(Multi Language)	
White Balance	ATW(2,500°K~9,500°K)/MANUAL/AWC	
Shutter Speed	1/60(1/50)~1/100,000sec	
Sense up	Auto(Selectable limit 2X~256X)/Fixed/Off	
Backlight	BLC/LWDR/HLC/OFF	BLC/WDR/HLC/OFF
AGC	LOW/MIDDLE/HIGH/OFF	
DNR(3D)	LOW/MIDDLE/HIGH/OFF	
Motion Detection	ON/OFF (240 Block)	
Privacy Zone	ON/OFF (8 Zone)	
Mirror	H/V/BOTH	
Freeze	ON/OFF	
Day & Night	ICR(AUTO, COLOR, B/W)	
LED Brightness	24 pcs(LOW, MIDDLE, HIGH, OFF)	
DIS	ON/OFF	
Digital Zoom	ON(10X)/OFF	
Blemish Compensation	AUTO/OFF	
Impact Detection	LOW/MIDDLE/HIGH/OFF	
Communication	RS-485(Protocol : Pelco D, Pelco P)	
Lens	Vari-focal auto iris lens	
Power Supply	12V DC or 24V AC(Dual Voltage) - Option	
Current Consumption	MAX. 600mA(at 12V DC, 24V AC) : LED ON	
Fan	Option	
Operation Temp.	-10°C ~ 50 °C	
Preservation Temp.	-20°C ~ 60 °C	
Dimension	Ø130.8 X 96(H) mm	
Weight	Approx. 400g	

## 3-AXIS VANDAL-PROOF IR DOME CAMERA

# SK-V251IRD/M844AI, SK-V251IRD/M845AI

### Features

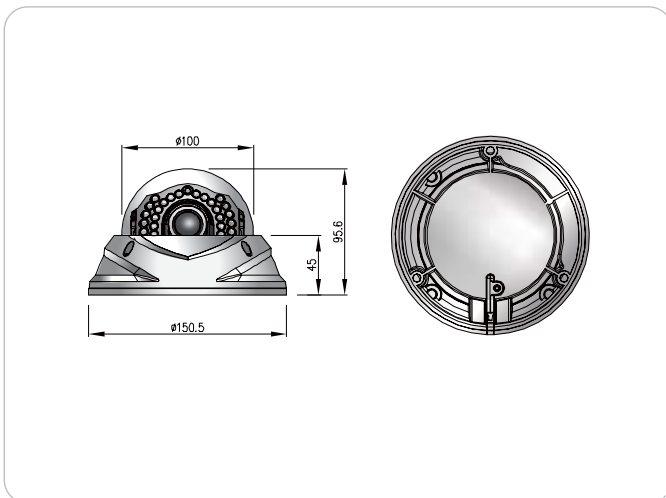
- 25M range visible in total darkness with 24pcs of IR LEDs
- Supreme Resolution (600TV-Line : Color, 700TV-Line : B/W)
- 1/3" COLOR SONY Super HAD CCD II : SK-V251IRD/M844AI  
1/3" COLOR SONY WDR CCD : SK-V251IRD/M845AI
- Huvion GenII DSP
- IR LED output level controllable via RS-485 (PELCO-D, PELCO-P)
- Vandal-proof & Waterproof(IP67)
- 3-Axis Bracket for 3D(Pan/Tilt/Roll) rotation
- LWDR or Super WDR, DIS(Digital Image Stabilizer), 3D-DNR, Sense up(256X)
- Day & Night function(ICR)
- Using IR Lens to prevent defocusing. (F1.2)
- Multi-language Full OSD support
- MULTI FUNCTION : Lens Shading Compensation, High Light Mask, Motion Detection, Impact Detection, Privacy Mask, Defect Pixel Correction, Freeze, Flip(H/V/Both), Digital Zoom
- Fan(Optional) & Heater for extreme temperature operation
- Option : 12V DC or 24V AC Dual voltage



GEN II  
CAMERA

### Dimension

Unit : mm



### Specification

Model	SK-V251IRD/M844AI	SK-V251IRD/M845AI
Image Sensor	1/3" COLOR SONY SUPER HAD CCD II	1/3" COLOR SONY Vertical Double Density Interline CCD
Pixel	410K	
Scanning System	2:1 Interlace	
Sync. Type	Internal / External(Line-Lock) - Option	
Resolution	600 TV-LINE(COLOR), 700 TV-LINE(B/W)	
S/N	52dB or More(AGC OFF)	
Video Output	1.0 Vp-p(Sync. Negative) Termination 75Ω	
Min. Illumination	0.01 Lux(F1.2), 0.0003Lux(Sense up)	0.05 Lux(F1.2), 0.0003Lux(Sense up)
	0 Lux (25M Range at LED HIGH) : Indoor	
Gamma	$\gamma=0.45$ typ.(0.45, 0.6, 1.0, user)	
OSD	Yes(Multi Language)	
White Balance	ATW(2,500°K~9,500°K)/MANUAL/AWC	
Shutter Speed	1/60(1/50)~1/100,000sec	
Sense up	Auto(Selectable limit 2X~256X)/Fixed/Off	
Backlight	BLC/LWDR/HLC/OFF	BLC/WDR/HLC/OFF
AGC	LOW/MIDDLE/HIGH/OFF	
DNR(3D)	LOW/MIDDLE/HIGH/OFF	
Motion Detection	ON/OFF (240 Block)	
Privacy Zone	ON/OFF (8 Zone)	
Mirror	H/V/BOTH	
Freeze	ON/OFF	
Day & Night	ICR(AUTO, COLOR, B/W)	
LED Brightness	24 pcs(LOW, MIDDLE, HIGH, OFF)	
DIS	ON/OFF	
Digital Zoom	ON(10X)/OFF	
Blemish Compensation	AUTO/OFF	
Impact Detection	LOW/MIDDLE/HIGH/OFF	
Communication	RS-485(Protocol : Pelco D, Pelco P)	
Lens	Vari-focal auto iris lens	
Power Supply	12V DC or 24V AC(Dual Voltage) - Option	
Current Consumption	MAX. 800mA(at 12V DC, 24V AC) : LED ON	
Fan, Heater	Option, Yes	
Operation Temp.	-10°C ~ 50 °C	
Preservation Temp.	-20°C ~ 60 °C	
Dimension	Ø150.5 X 95.6(H) mm	
Weight	Approx. 800g	

## IR 70EA All-in-One CAMERA

# SK-P441M844AI, SK-P441M845AI, SK-P440M844AI, SK-P440M845AI

### Features

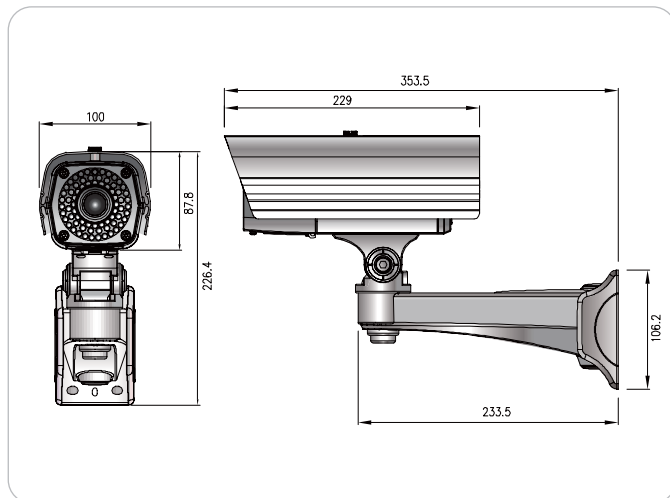
- 70M range visible in total darkness with 70pcs of IR LEDs : SK-P441 series
- 50M range visible in total darkness with 40pcs of IR LEDs : SK-P440 series
- Supreme Resolution (600TV-Line : Color, 700TV-Line : B/W)
- 1/3" COLOR SONY Super HAD CCD II : SK-P441/M844AI, SK-P440/M844AI
- 1/3" COLOR SONY WDR CCD : SK-P441/M845AI, SK-P440/M845AI
- Huvion GenII DSP
- IR LED output level controllable via RS-485 (PELCO-D, PELCO-P)
- Weather-proof(IP66), Day & Night function(ICR)
- LWDR or Super WDR, DIS(Digital Image Stabilizer), 3D-DNR, Sense up(256X)
- Using IR Lens to prevent defocusing. (F1.2)
- Fan for extreme temperature operation
- All controls hidden behind an easy access door
- Multi-language Full OSD support
- 12V DC or 24V AC Dual voltage
- MULTI FUNCTION : Lens Shading Compensation, High Light Mask, Motion Detection, Impact Detection, Privacy Mask, Defect Pixel Correction, Freeze, Flip(H/V/Both), Digital Zoom



GEN II  
CAMERA

### Dimension

Unit : mm



### Specification

Model	SK-P441/ M844AI SK-P440/ M844AI	SK-P441/ M845AI SK-P440/ M845AI
Image Sensor	1/3" COLOR SONY SUPER HAD CCD II	1/3" COLOR SONY Vertical Double Density Interline CCD
Pixel	410K	
Scanning System	2:1 Interlace	
Sync. Type	Internal / External(Line-Lock)	
Resolution	600 TV-LINE(COLOR), 700 TV-LINE(B/W)	
S/N	52dB or More(AGC OFF)	
Video Output	1.0 Vp-p(Sync. Negative) Termination 75Ω	
Min. Illumination	0.01 Lux(F/1.2), 0.0003Lux(Sense up)	0.05 Lux(F/1.2), 0.0003Lux(Sense up)
	0 Lux (70M Range at LED HIGH) : Indoor- SK-P441 series 0 Lux (50M Range at LED HIGH) : Indoor- SK-P440 series	
Gamma	$\gamma=0.45$ typ.(0.45, 0.6, 1.0, user)	
OSD	Yes(Multi Language)	
White Balance	ATW(2,500°K~9,500°K)/MANUAL/AWC	
Shutter Speed	1/60(1/50)~1/100,000sec	
Sense up	Auto(Selectable limit 2X~256X)/Fixed/Off	
Backlight	BLC/LWDR/HLC/OFF	BLC/WDR/HLC/OFF
AGC	LOW/MIDDLE/HIGH/OFF	
DNR(3D)	LOW/MIDDLE/HIGH/OFF	
Motion Detection	ON/OFF (240 Block)	
Privacy Zone	ON/OFF (8 Zone)	
Mirror	H/V/BOTH	
Freeze	ON/OFF	
Day & Night	ICR(AUTO, COLOR, B/W)	
LED Brightness	70pcs(LOW, MIDDLE, HIGH, OFF) - SK-P441 series 40pcs(LOW, MIDDLE, HIGH, OFF) - SK-P440 series	
DIS	ON/OFF	
Digital Zoom	ON(10X)/OFF	
Blemish Compensation	AUTO/OFF	
Impact Detection	LOW/MIDDLE/HIGH/OFF	
Communication	RS-485(Protocol : Pelco D, Pelco P)	
Lens	Vari-focal auto iris lens	
Power Supply	12V DC or 24V AC(Dual Voltage)	
Current Consumption	MAX. 1.3A(at 12V DC, 24V AC) : LED ON - SK-P441 series MAX. 800mA(at 12V DC, 24V AC) : LED ON - SK-P440 series	
Fan	Yes	
Operation Temp.	-20°C ~ 50 °C	
Preservation Temp.	-20°C ~ 60 °C	
Dimension	100(W) X 87.8(H) X 229(D) mm	
Weight	Approx. 2kg	



## FOCUS FREE PTZ WDR DOME CAMERA

# SK-D106/M864FF, SK-D106/M865FF, SK-D107/M864FF, SK-D107/M865FF

### Features

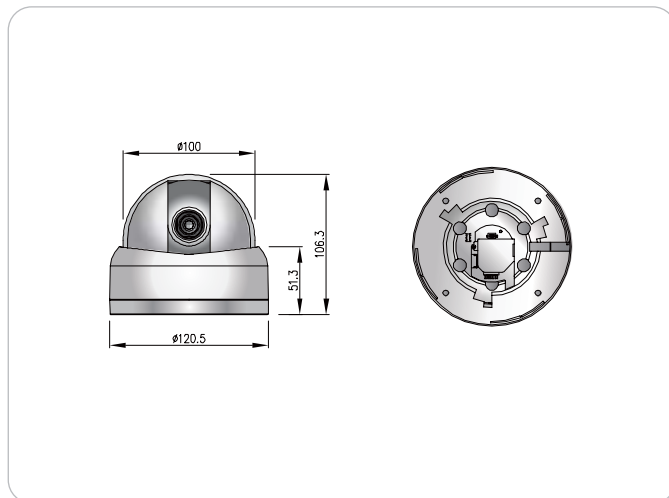
- Compact PTZ dome camera
- Optical 3.6X zoom(Focus Free), Digital 10X zoom
- Max 93°/sec panning
- Pan : 360°(Endless), Tilt : 5°~90° - SK-D107/M864FF, SK-D107/M865FF  
Pan : 0~350°, Tilt : 5°~90° - SK-D106/M864FF, SK-D106/M865FF
- 64 Preset positions
- 1/3" COLOR SONY Super HAD CCD II : SK-D107/M864FF, SK-D106/M864FF  
1/3" COLOR SONY WDR CCD : SK-D107/M865FF, SK-D106/M865FF
- Huviron Gen II DSP
- Supreme Resolution (600TV-Line : Color, 700TV-Line : B/W)
- LWDR or Super WDR, DIS(Digital Image Stabilizer), 3D-DNR, Sense up(256X)
- Full OSD support
- RS485 Interface(PELCO-D, PELCO-P, SK-P)
- MULTI FUNCTION : Lens Shading Compensation, High Light Mask, Motion Detection, Impact Detection, Defect Pixel Correction, Freeze, Flip(H/V/Both), Digital Zoom



GEN II  
CAMERA

### Dimension

Unit : mm



### Specification

Model	SK-D106/ M864FF SK-D107/ M864FF	SK-D106/ M865FF SK-D107/ M865FF
Image Sensor	1/3" COLOR SONY SUPER HAD II CCD	1/3" COLOR SONY Vertical Double Density Interline CCD
Pixel	410K	
Scanning System	2:1 Interlace	
Sync. Type	Internal	
Resolution	600 TV-LINE(COLOR), 700 TV-LINE(B/W)	
S/N	52dB or More(AGC OFF)	
Video Output	1.0 Vp-p(Sync. Negative) Termination 75Ω	
Min. Illumination	0.1 Lux(F/1.2), 0.0003Lux(Sense up)	0.5 Lux(F/1.2), 0.0003Lux(Sense up)
Gamma	$\gamma=0.45$ typ.(0.45, 0.6, 1.0, user)	
OSD	Yes(English Only)	
White Balance	ATW(2,500°K~9,500°K)/MANUAL/AWC	
Shutter Speed	1/60(1/50)~1/100,000sec	
Sense up	Auto(Selectable limit 2X~256X)/Fixed/OFF	
Backlight	BLC/LWDR/HLC/OFF	BLC/WDR/HLC/OFF
AGC	LOW/MIDDLE/HIGH/OFF	
DNR(3D)	LOW/MIDDLE/HIGH/OFF	
Motion Detection	ON/OFF (240 Block)	
Mirror	H/V/BOTH	
Day & Night	Electronic(AUTO, COLOR, B/W)	
DIS, Freeze	ON/OFF	
Blemish Compensation	AUTO/OFF	
ZOOM	Optical 3.6X, Digital 10X	
Impact Detection	LOW/MIDDLE/HIGH/OFF	
FOCAL Length	f= 2.8(W) ~ 10.0(T)mm / F 1.2(W) ~ F2.7(T)	
Angle of view(Diagonal)	131.6° (Wide End), 35.6° (Tele End)	
Min. Focus Distance	Min . 0.3M	
Moving Speed	Pan: 9°/s~93°/s, Tilt: 9°/s~66°/s	
Moving Angle	Pan: 0°~350°, Tilt: 5°~90° - SK-D106 SERIES Pan: 360° Endless, Tilt: 5°~90° - SK-D107 SERIES	
Camera ID Setup	1~255 Selectable	
Communication	RS-485 (Protocol : Pelco D, Pelco P, SK-P)	
Baud rate	2400bps, 4800bps, 9600bps	
Power Supply	Regulated 12V DC $\pm$ 10%	
Current Consumption	Max. 800mA	
Operation Temp.	-10°C ~ 50 °C	
Preservation Temp.	-20°C ~ 60 °C	
Dimension	Ø 120.5 x 106.3(H)mm	
Weight	Approx. 850g	

## OUTDOOR FOCUS FREE PTZ WDR DOME CAMERA

# SK-V106/M864FF, SK-V106/M865FF, SK-V107/M864FF, SK-V107/M865FF

### Features

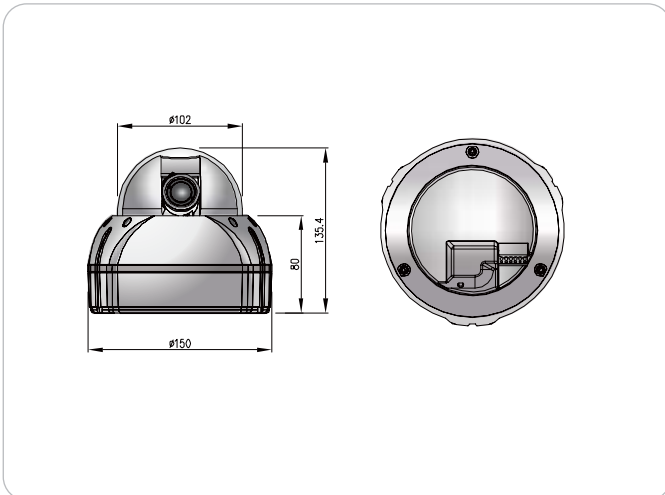
- Weather-proof compact PTZ dome camera
- Optical 3.6X zoom(Focus Free), Digital 10X zoom
- Max 93°/sec panning
- Pan : 360°(Endless), Tilt : 5°~90° - SK-V107/M864FF, SK-V107/M865FF  
Pan : 0~350°, Tilt : 5°~90° - SK-V106/M864FF, SK-V106/M865FF
- 64 Preset positions
- 1/3" COLOR SONY Super HAD CCD II : SK-V107/M864FF, SK-V106/M864FF  
1/3" COLOR SONY WDR CCD : SK-V107/M865FF, SK-V106/M865FF
- Huviron Gen II DSP
- Supreme Resolution (600TV-Line : Color, 700TV-Line : B/W)
- LWDR or Super WDR, DIS(Digital Image Stabilizer), 3D-DNR, Sense up(256X)
- Full OSD support
- R485 Interface(PELCO-D, PELCO-P, SK-P)  
MULTI FUNCTION : Lens Shading Compensation, High Light Mask, Motion Detection, Impact Detection, Defect Pixel Correction, Freeze, Flip(H/V/Both), Digital Zoom



GEN II  
CAMERA

### Dimension

Unit : mm



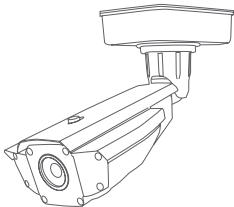
### Specification

Model	SK-V106/ M864FF SK-V107/ M864FF	SK-V106/ M865FF SK-V107/ M865FF
Image Sensor	1/3" COLOR SONY SUPER HAD CCD II	1/3" COLOR SONY Vertical Double Density Interline CCD
Pixel	410K	
Scanning System	2:1 Interlace	
Sync. Type	Internal	
Resolution	600 TV-LINE(COLOR), 700 TV-LINE(B/W)	
S/N	52dB or More(AGC OFF)	
Video Output	1.0 Vp-p(Sync. Negative) Termination 75Ω	
Min. Illumination	0.1 Lux(F/1.2), 0.0003Lux(Sense up)	0.5 Lux(F/1.2), 0.0003Lux(Sense up)
Gamma	$\gamma=0.45$ typ.(0.45, 0.6, 1.0, user)	
OSD	Yes(English Only)	
White Balance	ATW(2,500°K~9,500°K)/MANUAL/AWC	
Shutter Speed	1/60(1/50)~1/100,000sec	
Sense up	Auto(Selectable limit 2X~256X)/Fixed/OFF	
Backlight	BLC/LWDR/HLC/OFF	BLC/WDR/HLC/OFF
AGC	LOW/MIDDLE/HIGH/OFF	
DNR(3D)	LOW/MIDDLE/HIGH/OFF	
Motion Detection	ON/OFF (240 Block)	
Mirror	H/V/BOTH	
Day & Night	Electronic(AUTO, COLOR, B/W)	
DIS, Freeze	ON/OFF	
Blemish Compensation	AUTO/OFF	
ZOOM	Optical 3.6X, Digital 10X	
Impact Detection	LOW/MIDDLE/HIGH/OFF	
FOCAL Length	f= 2.8(W) ~ 10.0(T)mm / F 1.2(W) ~ F2.7(T)	
Angle of view(Diagonal)	131.6° (Wide End), 35.6° (Tele End)	
Min. Focus Distance	Min . 0.3M	
Moving Speed	Pan: 9°/s~93°/s, Tilt: 9°/s~66°/s	
Moving Angle	Pan: 0°~350°, Tilt: 5°~90° - SK-V106 SERIES Pan: 360° Endless, Tilt: 5°~90° - SK-V107 SERIES	
Camera ID Setup	1~255 Selectable	
Communication	RS-485 (Protocol : Pelco D, Pelco P, SK-P)	
Baud rate	2400bps, 4800bps, 9600bps	
Power Supply	Regulated 12V DC $\pm$ 10%	
Current Consumption	Max. 800mA	
Operation Temp.	-10°C ~ 50 °C	
Preservation Temp.	-20°C ~ 60 °C	
Dimension	Ø 150 x 135.4(H)mm	
Weight	Approx. 1.2Kg	

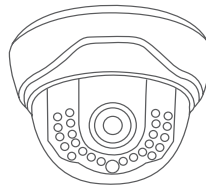


# CAMERA

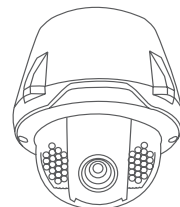
The Best Security Solution, Huviron's Technology!



IR 70EA DAY&NIGHT  
IR 40~48EA DAY&NIGHT  
IR 30EA DAY&NIGHT  
PIPE  
PIXIM WDR



INDOOR IR DOME  
VANDAL-PROOF IR DOME  
INDOOR DOME  
VANDAL-PROOF DOME



PTZ DOME  
HIGH SPEED DOME  
ZOOM  
STANDARD  
MINIATURE  
MODULE

# SK-P700IRD/M843AI

## Features

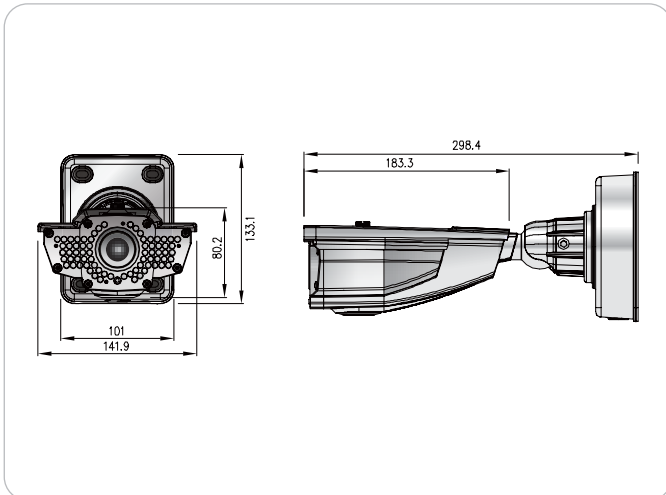
- 70M range visible in total darkness with 70pcs of IR LEDs & 5~50mm Lens
- IR LED output level controllable via RS-485
- Waterproof(IP67)
- 3-AXIS Bracket for 3D(Pan/Tilt/Roll) rotation
- Day & Night function(ICR)
- 1/3" COLOR SONY SUPER HAD CCD II
- Supreme Resolution(600TV-Line : Color, 680TV-Line : B/W)
- All controls hidden behind an easy access door
- Multi language full OSD support
- Option : 12V DC or 24V AC Dual voltage
- Heater & fan for extreme temperature operation
- RS-485 interface(PELCO-D, PELCO-P protocol support)
- MULTI FUNCTION : Lens Shading Compensation, High Light Mask, Motion Detection, Privacy Zone, Impact Detection, Defect Pixel Correction



IR 70EA DAY&NIGHT CAMERA

## Dimension

Unit : mm



## Specification

MODEL	SK-P700IRD/M843AI
Image Sensor	1/3" COLOR SONY SUPER HAD CCD II
Pixel	410K
Scanning	2:1 Interlace
Sync. Type	Internal
Resolution	Color : 600TV-Line, B/W : 680TV-Line
Video Output	1.0Vp-p(Sync. Negative) Termination 75Ω
S/N Ratio	48dB or More(AGC OFF)
Min. Illumination	0Lux(70M Range at LED High, Indoor) : LED ON 0.01Lux(F/1.2) : LED OFF
Gamma	$\gamma=0.45$ typ.(0.45, 0.6, 1.0 Adjustable)
Shutter Speed	1/60(1/50) ~ 1/100,000sec
Day & Night	ICR(AUTO/COLOR/BW)
OSD	YES
Motion Detection	ON/OFF (64 Zone)
Impact Detection	ON/OFF
Privacy Zone	ON/OFF (4 Zone)
White Balance	ATW(2,500°K ~ 9,500°K) / MANUAL / AWC
Backlight	BLC/HLC/OFF
AGC	LOW/MIDDLE/HIGH/OFF
Lens	Vari-focal auto iris lens
LED Brightness	70pcs(Low, Middle, High, Off)
Power Supply	12V DC or 24V AC Dual voltage - Option
Current Consumption	Max. 1.3A at (12DC, 24V AC) : LED ON
Fan, Heater	YES
Operation Temp.	-20°C ~ 50°C
Preservation Temp.	-20°C ~ 60°C
Dimension	141.9(W)x80.2(H)x183.3(D) mm
Weight	Approx. 1.7Kg

# SK-P700IRD/M544AI

## Features

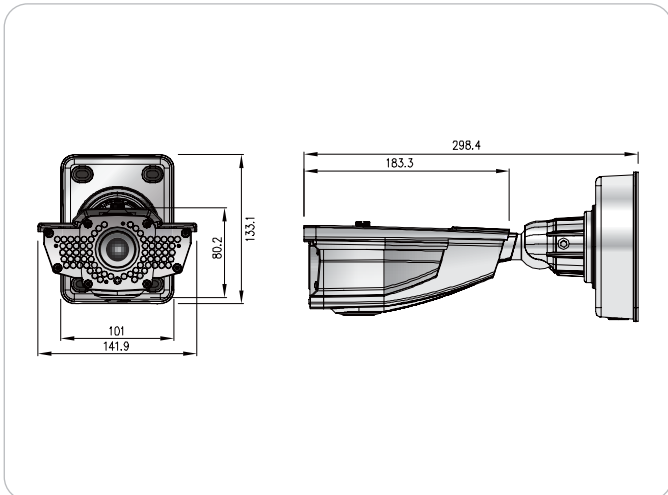
- 70M range visible in total darkness with 70pcs of IR LEDs & 5~50mm lens
- IR LED output level adjustable
- Waterproof(IP67)
- 3-AXIS Bracket for 3D(Pan/Tilt/Roll) rotation
- Day & Night function(ICR)
- 1/3" COLOR SONY SUPER HAD CCD II
- Advanced High Resolution(560TV-Line : Color, 650TV-Line : B/W)
- All controls hidden behind an easy access door
- Multi-language full OSD support
- D-WDR(Digital Wide Dynamic Range), DNR(3D)Function
- Option : 12V DC or 24V AC Dual voltage
- Heater & fan for extreme temperature operation
- RS-485 interface(PELCO-D support)
- MULTI FUNCTION : Motion Detection, Privacy Mask, Sense up(256X), Freeze, Flip(H/V-REV), Dzoom



IR 70EA DAY&NIGHT CAMERA

## Dimension

Unit : mm



## Specification

MODEL	SK-P700IRD/M544AI
Image Sensor	1/3" COLOR SONY SUPER HAD CCD II
Pixel	410K
Scanning	2:1 Interlace
Sync. Type	Internal/External(Line Lock)
Resolution	Color : 560TV-Line(Min.), B/W : 650TV-Line(Min.)
S/N Ratio	52dB or More(AGC OFF)
Video Output	1.0Vp-p(Sync. Negative) Termination 75Ω
Min. Illumination	Color : 0.15Lux/F1.2, 0.005Lux(Sense up) B/W : 0.05Lux/F1.2, 0.0009Lux(Sense up) LED ON : 0Lux(70M Range) - Indoor
OSD	YES
White Balance	ATW/AWB/INDOOR/OUTDOOR/MANUAL (1,800°K ~ 10,500°K)
Shutter Speed	1/60(1/50) ~ 1/100,000sec
Sense up	ON/OFF(selectable limit 2X ~ 256X)
Backlight	DWDR / BLC / HLC / OFF
AGC	LOW / MIDDLE / HIGH / OFF
DNR(3D)	OFF/ON
Motion Detection	ON/OFF(4 Zone)
Privacy Zone	ON/OFF(8 Zone)
Mirror	H/V/BOTH
Freeze	ON/OFF
Day & Night	ICR(COLOR/BW/AUTO)
LED Brightness	70pcs(Output level adjustable)
Digital Zoom	ON(32X)/OFF
Blemish Compensation	256point(Manual, Auto)
Communication	RS-485(Protocol : Pelco-D)
Lens	Vari-focal auto iris lens
Power Supply	12V DC or 24V AC Dual voltage - Option
Current Consumption	Max. 1.3A at(12V DC, 24V AC) : LED ON
Fan, Heater	YES
Operation Temp.	-20°C ~ 50°C
Preservation Temp.	-20°C ~ 60°C
Dimension	141.9(W)x80.2(H)x183.3(D) mm
Weight	Approx. 1.7Kg

# SK-P700IRD/M945AI, SK-P700IRD/M946AI

## Features

- 70M range visible in total darkness with 70pcs of IR LEDs & 5~50mm Lens
- IR LED output level adjustable
- Waterproof(IP67), Day & Night function(ICR)
- 3-Axis Bracket for 3D(Pan/Tilt/Roll) rotation
- All controls hidden behind an easy access door
- RS485 Interface, Fan & Heater
- Option : Dual voltage
- MULTI FUNCTION : High Light Mask, Motion Detection, Privacy Mask, Defect Pixel Correction, Freeze, Flip(H/V/Both), Digital Zoom, Multi-language OSD

### [SK-P700IRD/M945AI]

- Advanced High Resolution (580TV-Line : Color, 700TV-Line : B/W)
- 1/3" COLOR SONY WDR CCD & SV4 DSP
- WDR, DIS(Digital Image Stabilizer), 3D-DNR, Sense up(256X)

### [SK-P700IRD/M946AI]

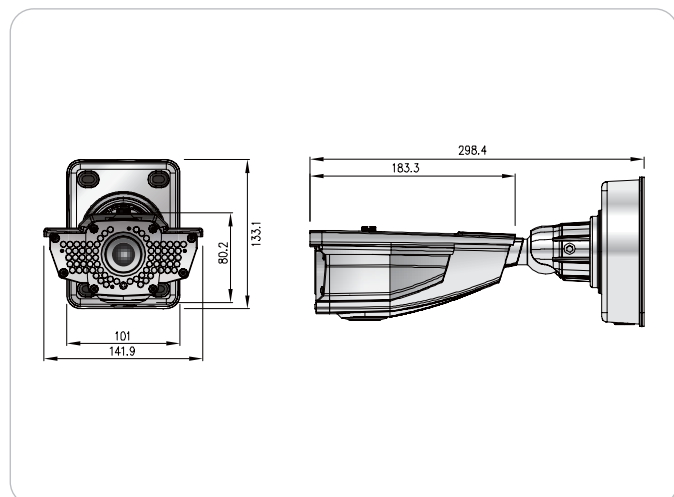
- Supreme Resolution (600TV-Line : Color, 700TV-Line : B/W)
- 1/3" COLOR SONY Super HAD CCD II & W5 DSP
- SSSDR(Digital WDR), DIS(Digital Image Stabilizer), 3D-DNR, Sense up(512X)



IR 70EA DAY&NIGHT CAMERA

## Dimension

Unit : mm



## Specification

Model	SK-P700IRD/M945AI	SK-P700IRD/M946AI
Image Sensor / Pixel	1/3" COLOR SONY WDR CCD / 410K	1/3" COLOR SONY SUPER HAD CCD II / 410K
Scanning System	2:1 Interlace	
Sync. Type	Internal / External(Line-Lock)	
Resolution	580 TV-LINE(COLOR), 700 TV-LINE(B/W)	600 TV-LINE(COLOR), 700 TV-LINE(B/W)
S/N Ratio	52dB or More(AGC OFF)	
Video Output	1.0 Vp-p(Sync. Negative) Termination 75Ω	
Min. Illumination	COLOR : 0.3 Lux(F/1.2), 0.001Lux(Sense up) B/W : 0.09 Lux(F/1.2), 0.0004Lux(Sense up) 0 Lux (70M Range at LED HIGH) : Indoor	COLOR : 0.15 Lux(F/1.2), 0.0005Lux(Sense up) B/W : 0.05 Lux(F/1.2), 0.0002Lux(Sense up) 0 Lux (70M Range at LED HIGH) : Indoor
Gamma	$\gamma=0.45$ typ.(0.45, 0.6, 1.0, user)	
OSD	Yes(Multi Language)	
White Balance	ATW(1,800°K~10,500°K) MANUAL/AWC/INDOOR/OUTDOOR	ATW(1,700°K~11,000°K) MANUAL/AWC/INDOOR/OUTDOOR
Shutter Speed	1/60(1/50)~1/120,000sec	
Sense up	Auto(Selectable limit 2X~256X)/Fixed/Off	Auto(Selectable limit 2X~512X)/Fixed/Off
Backlight	BLC/WDR/HLC/OFF	BLC/SSDR/HLC/OFF
AGC	LOW/HIGH/OFF	
DNR(3D)	ON(0~32)/OFF	
Motion Detection	ON/OFF (8 Zone)	
Privacy Zone	ON/OFF (8 Zone)	ON/OFF (12 Zone)
Mirror	H/V/BOTH	
Freeze	ON/OFF	
Day & Night	ICR(AUTO, COLOR, B/W)	
LED Brightness	70pcs(Output level adjustable)	
DIS	ON/OFF	
Digital Zoom	ON(10X)/OFF	ON(16X)/OFF
Blemish Compensation	256 Point(Even 128 point, Odd 128 point)	
Communication	RS-485 (Protocol : Pelco D)	RS-485 (Protocol : Pelco D&P, STW(SPD), SEC, BOSCH, HONEYWELL, VICON, PANA.)
Lens	Vari-focal auto iris lens	
Power Supply	12V DC or 24V AC(Dual Voltage) - Option	
Current Consumption	MAX. 1.1A(at 12V DC, 24V AC) : LED ON	
Fan, Heater	YES	
Operation / Preservation Temp.	-20°C ~ 50°C / -20°C ~ 60°C	
Dimension	141.9(W) X 80.2(H) X 183.3(D) mm	
Weight	Approx. 1.7kg	

# SK-P700IRD/M340AI

## Features

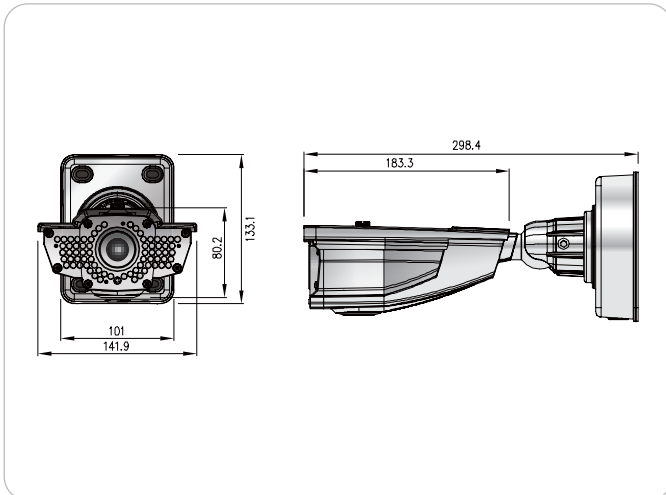
- 70M range visible in total darkness with 70pcs of IR LEDs & 5~50mm lens
- Super Supreme Resolution (700TV-Line : Color, 780TV-Line : B/W)
- Advanced clear picture quality with 1/3" COLOR SONY Super HAD CCD II (960H) & EFFIO DSP
- IR LED output level controllable via RS-485 interface (PELCO-D, PELCO-P, SK-S)
- Waterproof(IP67)
- 3-Axis Bracket for 3D(Pan/Tilt/Roll) rotation
- Advanced WDR(without 'Mixture color noise'), 3D-DNR, Sense up(512X)
- Day & Night function(ICR)
- Split Glass Technology
- Fan & Heater for extreme temperature operation
- All controls hidden behind an easy access door
- Multi-language Full OSD support
- Option : 12V DC or 24V AC Dual voltage
- MULTI FUNCTION : Face Detection, Motion Detection, Privacy Mask, Freeze, Flip(H/V/Both), Digital Zoom



IR 70EA DAY&NIGHT CAMERA

## Dimension

Unit : mm



## Specification

Model	SK-P700IRD/M340AI
Image Sensor / Pixel	1/3" COLOR SONY SUPER HAD CCD II(960H) / 0.5M
Scanning System	2:1 Interlace
Sync. Type	Internal / External(Line-Lock)
Resolution	700 TV-LINE(COLOR), 780 TV-LINE(B/W)
S/N Ratio	52dB or More(AGC OFF)
Video Output	1.0 Vp-p(Sync. Negative) Termination 75Ω
Min. Illumination	Color : 0.15 Lux(F/1.2), 0.0005Lux(Sense up) B/W : 0.05 Lux(F/1.2), 0.0002Lux(Sense up) 0 Lux (70M Range at LED HIGH) : Indoor
Gamma	$\gamma=0.45$ typ.
OSD	Yes(Multi Language)
White Balance	ATW(1,800°K~10,500°K)/PUSH/MANUAL/AWC
Shutter Speed	1/60(1/50)~1/100,000sec
Sense up	Auto(Selectable limit 2X~512X)/Off
Backlight	BLC/WDR/OFF
AGC	LOW/MIDDLE/HIGH/OFF
DNR(3D)	0-33 Selectable
Face Detection	ON/OFF (4 Zone)
Motion Detection	ON/OFF (4 Zone)
Privacy Zone	ON/OFF (8 Zone)
Mirror	H/V/BOTH
Freeze	ON/OFF
Day & Night	ICR(AUTO, COLOR, B/W)
LED Brightness	70pcs(LOW, MIDDLE, HIGH, OFF)
Digital Zoom	ON(16X)/OFF
Communication	RS-485(Protocol : Pelco D, Pelco P, SK-S)
Lens	Vari-focal auto iris lens
Power Supply	12V DC or 24V AC(Dual Voltage) - Option
Current Consumption	MAX. 1.5A(at 12V DC, 24V AC) : LED ON
Fan, Heater	Yes
Operation Temp.	-20°C ~ 50°C
Preservation Temp.	-20°C ~ 60°C
Dimension	141.9(W) X 80.2(H) X 183.3(D) mm
Weight	Approx. 1.7kg

# SK-P441

## Features

- Day & Night function(ICR)
- 1/3" COLOR SONY SUPER HAD CCD II
- Advanced High Resolution(550TV-Line, SONY HQ1)
- 70M range visible in total darkness with 70pcs\* of IR LEDs(Indoor)
- 10X(f=5 ~ 50mm) vari-focal auto iris lens
- Cable through bracket
- Option : 12V DC or 24V AC Dual voltage with Line-Lock
- All-in-One(Built-in lens, IR LEDs, Sunvisor & Bracket)
- Fan for extreme temperature operation
- All controls hidden behind an easy access door
- Weather-proof for outdoor use(IP66)

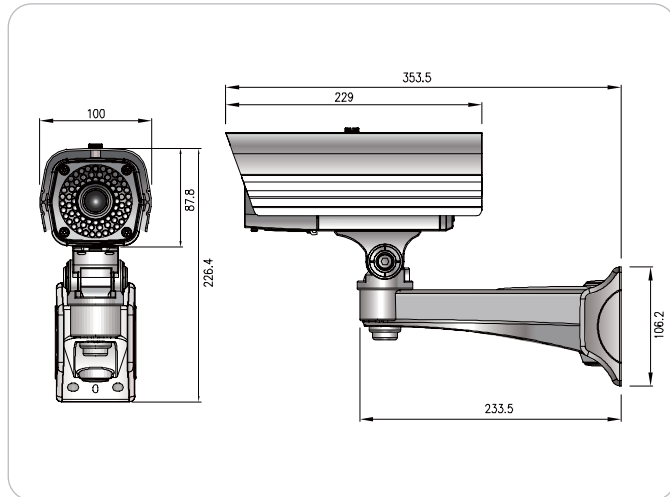
\*LED Option : 70pcs or 12pcs high luminance mirror LED+30pcs



IR 70EA DAY&NIGHT CAMERA

## Dimension

Unit : mm



## Specification

Model	SK-P441
Image Sensor	1/3" COLOR SONY SUPER HAD CCD II
Pixel	410K
Scanning	2:1 Interlace
Sync. Type	Internal / External(Line-Lock)
Resolution	Color : 550TV-Line , B/W : 600TV-Line
Video Output	1.0Vp-p(Sync. Negative) Termination 75Ω
S/N Ratio	48dB or More(AGC OFF)
Min. Illumination	0Lux(70M Range) : LED ON - Indoor 0.01Lux(F1.2) : LED OFF
Lens	f=5 ~ 50mm
Gamma	γ=0.45 typ.
BLC	ON/OFF
AGC	ON/OFF
Flickerless	ON/OFF
Day & Night	ICR(AUTO/COLOR/BW)
LED Brightness	70pcs or 42pcs(Output level adjustable)
Shutter Speed	1/60(1/50) ~ 1/100,000sec
Power Supply	12V DC or 24V AC Dual voltage - Option
Current Consumption	Max. 1.1A (at 12V DC) LED ON (at 24V AC) LED ON
Fan	Yes
Operation Temp.	-20°C ~ 50°C
Preservation Temp.	-20°C ~ 60°C
Dimension	100(W)x87.8(H)x229(D)mm
Weight	Approx. 2kg



## IR 70EA / 40EA All-in-One CAMERA

# SK-P441/M340AI, SK-P440/M340AI

### Features

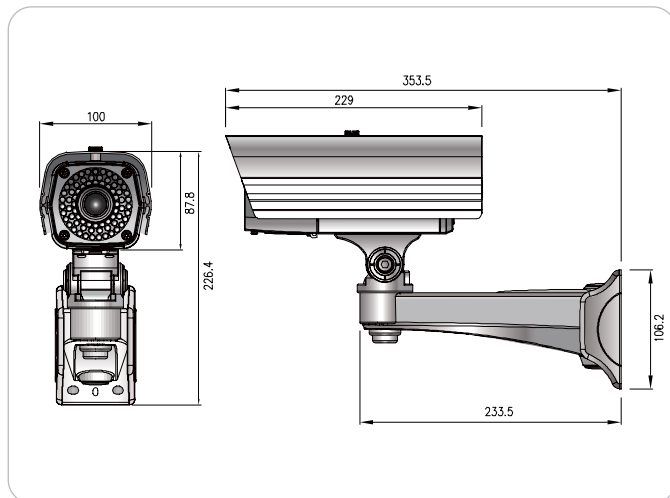
- 70M range visible in total darkness with 70pcs of IR LEDs : SK-P441/M340AI  
50M range visible in total darkness with 40pcs of IR LEDs : SK-P440/M340AI
- Super Supreme Resolution (700TV-Line : Color, 780TV-Line : B/W)
- Advanced clear picture quality with 1/3" COLOR SONY Super HAD CCD II (960H) & EFFIO DSP
- IR LED output level controllable via RS-485 interface (PELCO-D, PELCO-P, SK-S)
- Weather-proof(IP66)
- Advanced WDR(without 'Mixture color noise'), 3D-DNR, Sense up(512X)
- Day & Night function(ICR)
- Fan for extreme temperature operation
- All controls hidden behind an easy access door
- Multi-language Full OSD support
- Option : 12V DC or 24V AC Dual voltage
- MULTI FUNCTION : Face Detection, Motion Detection, Privacy Mask, Freeze, Flip(H/V/Both), Digital Zoom



IR 70EA DAY&NIGHT CAMERA

### Dimension

Unit : mm



### Specification

Model	SK-P441/M340AI	SK-P440/M340AI
Image Sensor / Pixel	1/3" COLOR SONY SUPER HAD CCD II(960H) / 0.5M	
Scanning System	2:1 Interlace	
Sync. Type	Internal / External(Line-Lock)	
Resolution	700 TV-LINE(COLOR), 780 TV-LINE(B/W)	
S/N Ratio	52dB or More(AGC OFF)	
Video Output	1.0 Vp-p(Sync. Negative) Termination 75Ω	
Min. Illumination	Color : 0.15 Lux(F/1.2), 0.0005Lux(Sense up) B/W : 0.05 Lux(F/1.2), 0.0002Lux(Sense up) 0 Lux (70M Range at LED HIGH) : Indoor   0 Lux (50M Range at LED HIGH) : Indoor	
Gamma	γ=0.45 typ	
OSD	Yes(Multi Language)	
White Balance	ATW(1,800°K~10,500°K)/PUSH/MANUAL/AWC	
Shutter Speed	1/60(1/50)~1/100,000sec	
Sense up	Auto(Selectable limit 2X~512X)/Off	
Backlight	BLC/WDR/OFF	
AGC	LOW/MIDDLE/HIGH/OFF	
DNR(3D)	0-33 Selectable	
Face Detection	ON/OFF (4 Zone)	
Motion Detection	ON/OFF (4 Zone)	
Privacy Zone	ON/OFF (8 Zone)	
Mirror	H/V/BOTH	
Freeze	ON/OFF	
Day & Night	ICR(AUTO, COLOR, B/W)	
LED Brightness	70pcs(LOW, MIDDLE, HIGH, OFF)	40pcs(LOW, MIDDLE, HIGH, OFF)
Digital Zoom	ON(16X)/OFF	
Communication	RS-485(Protocol : Pelco D, Pelco P, SK-S)	
Lens	Vari-focal auto iris lens	
Power Supply	12V DC or 24V AC(Dual Voltage) - Option	
Current Consumption	MAX. 1.5A (at 12V DC, 24V AC) : LED ON	MAX. 1.0A (at 12V DC, 24V AC) : LED ON
Fan	Yes	
Operation Temp.	-20°C ~ 50°C	
Preservation Temp.	-20°C ~ 60°C	
Dimension	100(W) X 87.8(H) X 229(D) mm	
Weight	Approx. 2Kg	

## IR 70EA All-in-One CAMERA

# SK-P441/M763AI

### Features

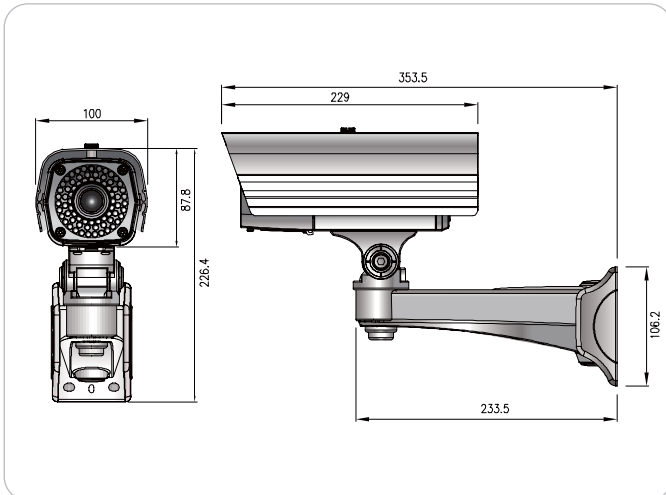
- 70M range visible in total darkness with 70pcs of IR LEDs
- Advanced high resolution (530TV-Line : Color, 580TV-Line : BW)
- 1/3" COLOR SONY Super HAD CCD II
- IR LED output level adjustable
- Weather-proof(IP66)
- Day & Night function(ICR)
- Using IR Lens to prevent defocusing
- Fan for extreme temperature operation
- All controls hidden behind an easy access door
- Full OSD support
- MULTI FUNCTION : Motion Detection, Privacy Mask, Mirror
- Option : 12V DC or 24V AC Dual voltage



IR 70EA DAY&NIGHT  
CAMERA

### Dimension

Unit : mm



### Specification

Model	SK-P441/M763AI
Image Sensor	1/3" COLOR SONY SUPER HAD CCD II
Pixel	410K
Scanning System	2:1 Interlace
Sync. Type	Internal
Resolution	530 TV-LINE(COLOR), 580 TV-LINE(B/W)
S/N Ratio	48dB or More(AGC OFF)
Video Output	1.0 Vp-p(Sync. Negative) Termination 75Ω
Min. Illumination	0.01 Lux(F/1.2) 0 Lux (70M Range at LED HIGH) : Indoor
Gamma	$\gamma=0.45$ typ. (0.05 ~ 1.00 adjustable)
OSD	Yes(Multi Language)
White Balance	ATW/AWB/FIXED/MANUAL
Shutter Speed	1/60(1/50)~1/100,000sec
BLC	ON/OFF (64 step, 64 area)
AGC	ON/OFF (256 step)
Motion Detection	ON/OFF (64 area, 256 step)
Privacy Zone	ON/OFF (4 Zone)
Mirror	ON/OFF
Day & Night	ICR(AUTO, COLOR, B/W)
LED Brightness	70pcs(Output level adjustable)
Lens	Vari-focal auto iris lens(f=5~50mm)
Power Supply	12V DC or 24V AC(Dual Voltage) - Option
Current Consumption	MAX. 1.1A(at 12V DC, 24V AC) : LED ON
Fan	Yes
Operation Temp.	-20°C ~ 50°C
Preservation Temp.	-20°C ~ 60°C
Dimension	100(W) X 87.8(H) X 229(D) mm
Weight	Approx. 1.7Kg

## IR 70EA PIPE CAMERA

# SK-P360IR, SK-P370IR

### Features

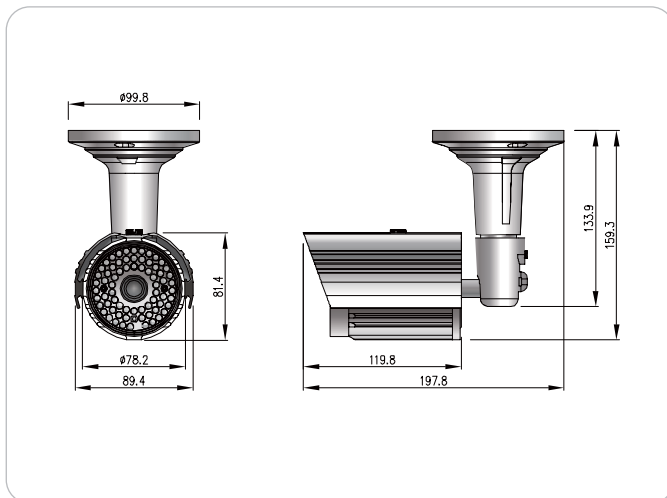
- 50M range visible in total darkness with 70pcs of IR LEDs
- Waterproof(IP67)
- Day & Night function(Electronic D&N)
- Advanced High Resolution(530TV-Line, SK-P360IR)
- 3-AXIS Bracket for 3D(Pan/Tilt/Roll) rotation
- 1/3" COLOR SONY SUPER HAD CCD II : SK-P360IR
- 1/3" COLOR SONY SUPER HAD CCD : SK-P370IR
- Fan for extreme temperature operation



IR 70EA DAY&NIGHT  
CAMERA

### Dimension

Unit : mm



### Specification

Model	SK-P360IR	SK-P370IR
Image Sensor	1/3" COLOR SONY SUPER HAD CCD II	1/3" COLOR SONY SUPER HAD CCD
Pixel	410K	270K
Scanning	2:1 Interlace	
Sync. Type	Internal	
Resolution	530TV-Line	380TV-Line
Video Output	1.0Vp-p(Sync. Negative) Termination 75Ω	
S/N Ratio	48dB or More(AGC OFF)	
Min. Illumination	0Lux(50M Range) : LED ON - Indoor 0.1Lux(F/1.2) : LED OFF	
Gamma	$\gamma=0.45$ typ.	
Shutter Speed	1/60(1/50) ~ 1/100,000 sec	
Day & Night	Electronic D&N(AUTO)	
White Balance	ATW	
AGC	AUTO	
Lens	Fixed focal lens	
LED	IR LED 70pcs	
Power Supply	Regulated 12V DC $\pm$ 10%	
Current Consumption	Max. 1.2A	
Fan	Yes	
Operation Temp.	-10°C ~ 50°C	
Preservation Temp.	-20°C ~ 60°C	
Dimension	89.4(W) X 81.4(H) X 119.8(D) mm	
Weight	Approx. 890g	

## IR 48EA PIPE CAMERA

# SK-P361IR/M863, SK-P371IR/M503

### Features

- 40M range visible in total darkness with 48pcs of IR LEDs
- Waterproof(IP67)
- 3-Axis Bracket for 3D(Pan/Tilt/Roll) rotation
- Split Glass Technology
- 1/3" COLOR SONY Super HAD CCD II

#### [SK-P361IR/M863]

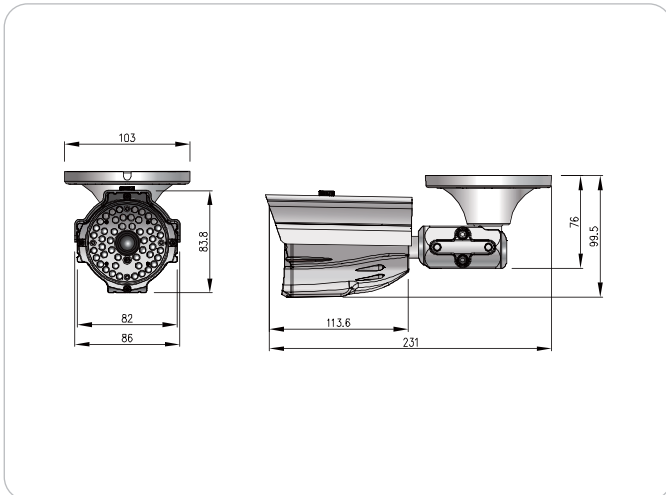
- Supreme Resolution (600TV-Line : Color, 680TV-Line : B/W)
- IR LED output level controllable via RS-485
- All controls with external easy access remote controller
- Multi-language Full OSD support
- MULTI FUNCTION : Lens Shading Compensation, High Light Mask, Motion Detection, Privacy Mask, Defect Pixel Correction, Mirror
- Option : RS485 Interface(PELCO-D, PELCO-P)



IR 48EA DAY&NIGHT CAMERA

### Dimension

Unit : mm



### Specification

Model	SK-P361IR/M863	SK-P371IR/M503
Image Sensor	1/3" COLOR SONY SUPER HAD CCD II	
Pixel	410K	270K
Scanning System	2:1 Interlace	
Sync. Type	Internal	
Resolution	600 TV-LINE(COLOR), 680 TV-LINE(B/W)	380 TV-LINE(COLOR)
S/N Ratio	48dB or More(AGC OFF)	
Video Output	1.0 Vp-p(Sync. Negative) Termination 75Ω	
Min. Illumination	0.1 Lux(F/1.2)	0.05 Lux(F/1.2)
	0 Lux (40M Range at LED HIGH) : Indoor	
Gamma	$\gamma=0.45$ typ.(0.45, 0.6, 1.0, user)	
OSD	Yes(Multi Language)	-
White Balance	ATW(2,500°K~9,500°K) / MANUAL / AWC	AUTO
Shutter Speed	1/60(1/50)~1/100,000sec	
Backlight	BLC/HLC/OFF	-
AGC	LOW/MIDDLE/HIGH/OFF	AUTO
Motion Detection	ON/OFF (64 Block)	-
Privacy Zone	ON/OFF (4 Zone)	-
Mirror	ON/OFF	-
Day & Night	ELECTRONIC D&N	
LED Brightness	48pcs (LOW, MIDDLE, HIGH, OFF)	48pcs
Communication(Optional)	RS-485 (Protocol : Pelco D, Pelco P)	-
Lens	Fixed focal lens	
Power Supply	Regulated 12V DC $\pm$ 10%	
Current Consumption	MAX. 650mA(at 12V DC) : LED ON	
Operation Temp.	-10°C ~ 50°C	
Preservation Temp.	-20°C ~ 60°C	
Dimension	86(W) X 83.8(H) X 113.6(D)mm	
Weight	Approx. 870g	

## IR 40EA All-in-One CAMERA

# SK-P361IR/M842AI, SK-P361IR/M862AI

### Features

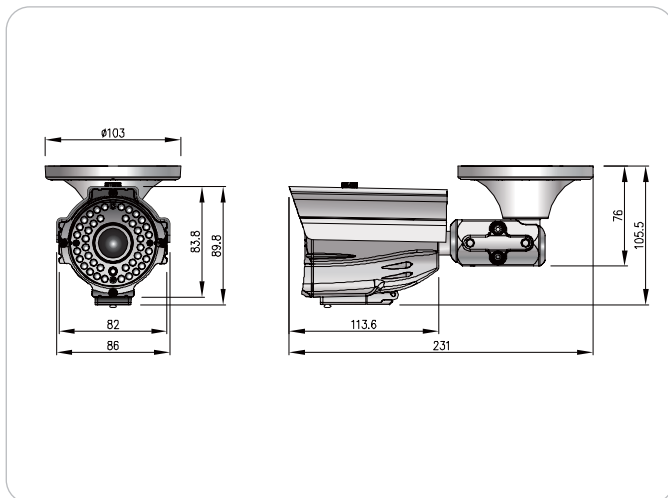
- 40M range visible in total darkness with 40pcs of IR LEDs
- Supreme Resolution (600TV-Line : Color, 680TV-Line : B/W)
- 1/3" COLOR SONY Super HAD CCD II or 1/3" COLOR SHARP HS CCD II
- IR LED output level controllable via RS-485
- Waterproof(IP67)
- 3-Axis Bracket for 3D(Pan/Tilt/Roll) rotation
- Day & Night function(ICR)
- Split Glass Technology
- Using IR Lens to prevent defocusing(F1.2)
- All controls hidden behind an easy access door
- Multi-language Full OSD support
- Option : RS485 Interface(PELCO-D, PELCO-P)
- Option : 12V DC or 24V AC Dual voltage
- MULTI FUNCTION : Lens Shading Compensation, High Light Mask, Motion Detection, Privacy Mask, Defect Pixel Correction, Mirror



IR 40EA DAY&NIGHT CAMERA

### Dimension

Unit : mm



### Specification

Model	SK-P361IR/M842AI	SK-P361IR/M862AI
Image Sensor	1/3" COLOR SONY SUPER HAD CCD II	1/3" COLOR SHARP HS CCD II
Pixel	410K	
Scanning System	2:1 Interlace	
Sync. Type	Internal	
Resolution	600 TV-LINE(COLOR), 680 TV-LINE(B/W)	
S/N Ratio	48dB or More(AGC OFF)	
Video Output	1.0 Vp-p(Sync. Negative) Termination 75Ω	
Min. Illumination	0.01 Lux(F/1.2)	0.1 Lux(F/1.2)
	0 Lux (40M Range at LED HIGH) : Indoor	
Gamma	$\gamma=0.45$ typ.(0.45, 0.6, 1.0, user)	
OSD	Yes(Multi Language)	
White Balance	ATW(2,500°K~9,500°K)/MANUAL/AWC	
Shutter Speed	1/60(1/50)~1/100,000sec	
Backlight	BLC/HLC/OFF	
AGC	LOW/MIDDLE/HIGH/OFF	
Motion Detection	ON/OFF (64 Block)	
Privacy Zone	ON/OFF (4 Zone)	
Mirror	ON/OFF	
Day & Night	ICR(AUTO, COLOR, B/W)	Electronic(AUTO, COLOR, B/W)
LED Brightness	40pcs(LOW, MIDDLE, HIGH, OFF)	
Communication(Optional)	RS-485(Protocol : Pelco D, Pelco P)	
Lens	Vari-focal auto iris lens	
Power Supply	12V DC or 24V AC (Dual Voltage) - Option	12V DC Regulated $\pm$ 10%
Current Consumption	MAX. 500mA(at 12V DC) : LED ON	
Operation Temp.	-10°C ~ 50°C	
Preservation Temp.	-20°C ~ 60°C	
Dimension	86(W) X 89.8(H) X 113.6(D) mm	
Weight	Approx. 900g	

# SK-P440

## Features

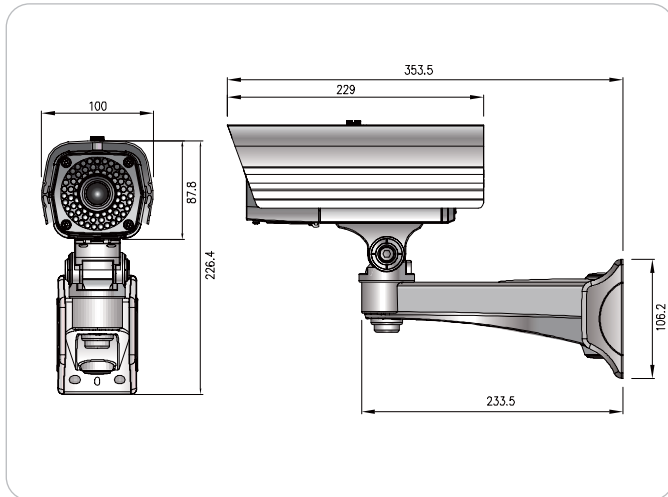
- Day&Night function(ICR)
- 1/3" COLOR SONY SUPER HAD CCD II
- Advanced High Resolution(550TV-Line, SONY HQ1)
- 50M range visible in total darkness with 40pcs of IR LEDs(Indoor)
- Cable through bracket
- Option : 12V DC or 24V AC Dual voltage with Line-Lock
- All-in-One(Built-in lens, IR LEDs, Sunvisor & Bracket)
- All controls hidden behind an easy access door
- Weather-proof for outdoor use(IP66)



IR 40EA DAY&NIGHT CAMERA

## Dimension

Unit : mm



## Specification

Model	SK-P440
Image Sensor	1/3" COLOR SONY SUPER HAD CCD II
Pixel	410K
Scanning	2:1 Interlace
Sync. Type	Internal / External(Line-Lock)
Resolution	Color : 550TV-Line , B/W : 600TV-Line
Video Output	1.0Vp-p(Sync. Negative) Termination 75Ω
S/N Ratio	48dB or More(AGC OFF)
Min. Illumination	0Lux(50M Range) : LED ON - Indoor 0.01Lux(F1.2) : LED OFF
Lens	f=3.8 ~ 9.5mm(F1.2) Option f=9 ~ 22mm
Gamma	γ=0.45 typ.
BLC	ON/OFF
AGC	ON/OFF
Flickerless	ON/OFF
Day & Night	ICR(AUTO/COLOR/BW)
LED	40pcs(Output level adjustable)
Shutter Speed	1/60(1/50) ~ 1/100,000 sec
Power Supply	12V DC or 24V AC Dual voltage - Option
Current Consumption	MAX.900mA (at 12V DC) LED ON (at 24V AC) LED ON
Operation Temp.	-20°C ~ 50°C
Preservation Temp.	-20°C ~ 60°C
Dimension	100(W) X 87.8(H) X 229(D)mm
Weight	Approx. 1.7kg

## IR 70EA / 40EA All-in-One CAMERA

# SK-P441/M843AI, SK-P440/M843AI

### Features

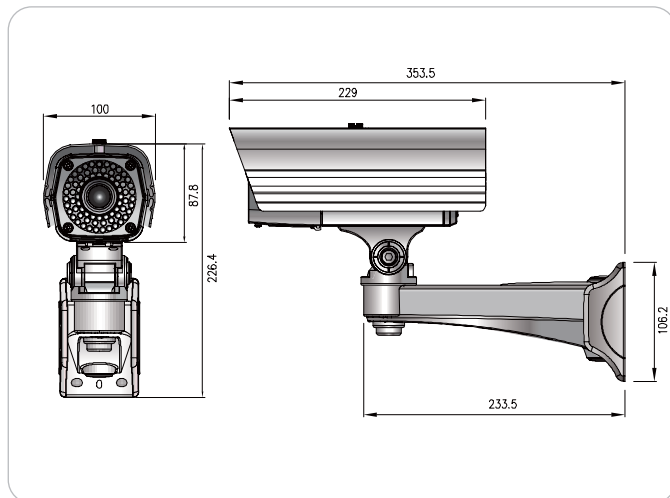
- 70M range visible in total darkness with 70pcs of IR LEDs - SK-P441/M843AI  
50M range visible in total darkness with 40pcs of IR LEDs - SK-P440/M843AI
- Supreme Resolution (600TV-Line)
- 1/3" SONY Super HAD CCD II
- IR LED output level controllable via RS-485 interface(PELCO-D, PELCO-P)
- Weather-proof(IP66)
- Day & Night function(ICR)
- Fan for extreme temperature operation(SK-P441/M843AI)
- All controls hidden behind an easy access door
- Multi-language Full OSD support
- MULTI FUNCTION : Lens Shading Compensation, High Light Mask, Motion Detection, Privacy Zone, Impact Detection, Defect Pixel Correction
- Option : 12V DC or 24V AC Dual voltage



IR 40EA DAY&NIGHT CAMERA

### Dimension

Unit : mm



### Specification

Model No	SK-P441/M843AI	SK-P440/M843AI
Image Sensor	1/3" COLOR SONY SUPER HAD CCD II	
Pixel	410K	
Scanning System	2:1 Interlace	
Sync. Type	Internal	
Resolution	600 TV-LINE(COLOR), 680 TV-LINE(B/W)	
S/N Ratio	48dB or More(AGC OFF)	
Video Output	1.0 Vp-p(Sync. Negative) Termination 75Ω	
Min. Illumination	0.01 Lux(F/1.2)	0.01 Lux(F/1.2)
(Indoor)	0 Lux (70M Range at LED HIGH)	0 Lux (50M Range at LED HIGH)
Gamma	$\gamma=0.45$ typ.(0.45, 0.6, 1.0, user)	
OSD	Yes(Multi Language)	
White Balance	ATW(2,500°K~9,500°K)/MANUAL/AWC	
Shutter Speed	1/60(1/50)~1/100,000sec	
Backlight	BLC / HLC / OFF	
AGC	LOW / MIDDLE / HIGH / OFF	
Motion Detection	ON/OFF (64 Zone)	
Privacy Zone	ON/OFF (4 Zone)	
Mirror	ON/OFF	
Day & Night	ICR(AUTO, COLOR, B/W)	
LED Brightness	70pcs(LOW, MIDDLE, HIGH, OFF)	40pcs(LOW, MIDDLE, HIGH, OFF)
Impact Detection	LOW / MIDDLE / HIGH / OFF	
Communication	RS-485(Protocol : Pelco D, Pelco P)	
Lens	Vari-focal auto iris lens	
Power Supply	12V DC or 24V AC Dual voltage - Option	
Current Consumption	MAX. 1.3A (at DC 12V, AC 24V) : LED ON	MAX. 800mA (at DC 12V, AC 24V) : LED ON
Fan	Yes	
Operation Temp.	-20°C ~ 50°C	
Preservation Temp.	-20°C ~ 60°C	
Dimension	100(W) X 87.8(H) X 229(D) mm	
Weight	Approx. 2kg	

## IR 30EA ZOOM CAMERA

# SK-P500/Z240, SK-P500/Z240X

### Features

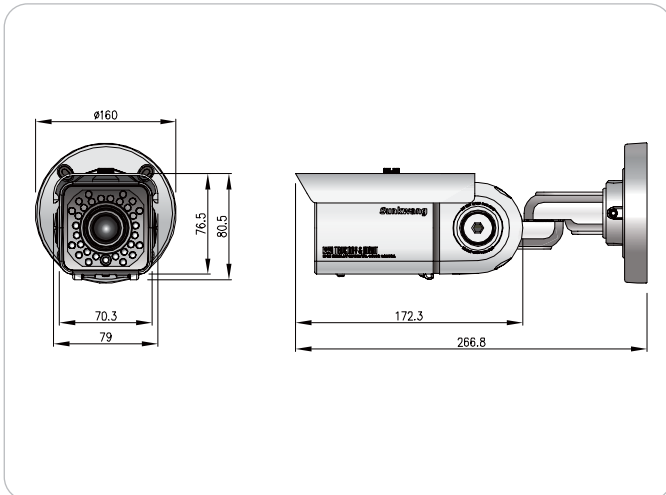
- Long visible range at night(40m range indoor)
- Split glass technology
- 3-AXIS Bracket for 3D(Pan/Tilt/Roll)rotation
- Weather-proof(IP65)
- 1/4" COLOR SONY CCD
- 100X Zoom(Optical : 10X, Digital : 10X)
- Powerful & Level selectable BLC
- OSD(On screen display)
- Day & Night function(ICR)
- Auto Focus/Auto IRIS
- RS-485 Interface(SK-S, PELCO-D&P Support)
- 1 Alarm input
- Fan(Optional) & Heater for extreme temperature operation
- Option : 12V DC or 24V AC Dual voltage



IR 30EA DAY&NIGHT CAMERA

### Dimension

Unit : mm



### Specification

MODEL	SK-P500/Z240	SK-P500/Z240X
CCD Type	1/4" COLOR SONY SUPER HAD CCD	1/4" COLOR SONY EXview HAD CCD
Pixel	410K	
Scanning	2:1 Interlace	
Sync. Type	Internal/External(Line-Lock)	
Resolution	Color : 480TV-Line , B/W : 560TV-Line	
Video Output	1.0Vp-p(Sync.Negative) Termination 75Ω	
S/N Ratio	46dB or More(AGC OFF)	
Min. Illumination	0Lux(40M Range) : LED ON - Indoor 0.1Lux(F/1.8) : LED OFF   0.01Lux(F/1.8) : LED OFF	
Gamma	$\gamma=0.45$ typ.	
Day & Night	ICR(AUTO/COLOR/BW)	
LED	IR LED 30pcs	
Shutter Speed	Auto : 1/60(1/50) ~ 1/10,000sec Manual : 1/60(1/50), FLK 1/100(1/120), 1/250, 1/500, 1/1,000, 1/2,000, 1/4,000, 1/10,000	
White Balance	ATW/AWC/3,200°K, 5,600°K, MANUAL/[R,B]	
OSD	YES	
Zoom Magnification	Optical Zoom 10X, Digital Zoom 10X	
Focal Length	f=3.8(W) ~ 38.0(T)mm	
Angle of view	51.2°(Wide End), 5.58°(Tele End)	
Min.Working Distance	0.3M(Wide End), 0.8M(Tele End)	
External Communication	RS-485	
Alarm	Alarm input 1ea	
Power Supply	12V DC or 24V AC Dual voltage - Option	
Current Consumption	Max. 950mA	
Fan, Heater	Option, Yes	
Operation Temp.	-20°C ~ 50°C	
Preservation Temp.	-20°C ~ 60°C	
Dimension	79(W) X 80.5(H) X 172.3(D)mm	
Weight	Approx.1.5kg	



# SK-P500/M843AI

## Features

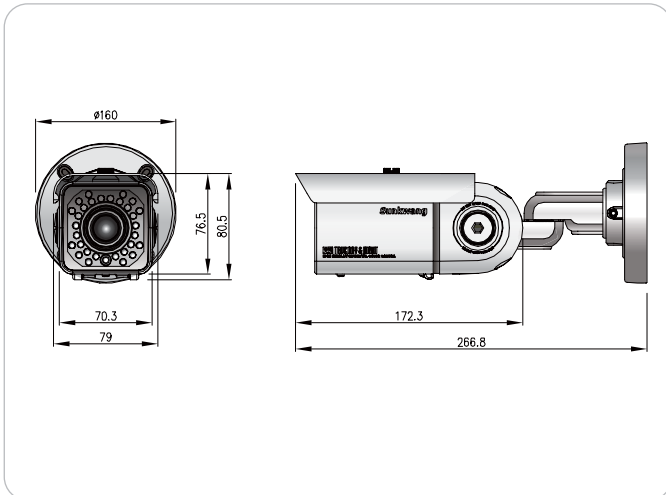
- 40M range visible in total darkness with 30pcs of IR LEDs
- Supreme Resolution (600TV-Line : Color, 680TV-Line : B/W)
- 1/3" COLOR SONY Super HAD CCD II
- IR LED output level controllable via RS-485
- Weather-proof(IP65)
- 3-Axis Bracket for 3D(Pan/Tilt/Roll) rotation
- Day & Night function(ICR)
- Split Glass Technology
- Using IR Lens to prevent defocusing. (F1.2)
- Fan(Optional) for extreme temperature operation
- All controls hidden behind an easy access door
- Multi-language Full OSD support
- RS485 Interface(PELCO-D, PELCO-P)
- Option : 12V DC or 24V AC Dual voltage
- MULTI FUNCTION : Lens Shading Compensation, High Light Mask, Motion Detection, Privacy Mask, Defect Pixel Correction, Mirror



IR 30EA DAY&NIGHT CAMERA

## Dimension

Unit : mm



## Specification

Model	SK-P500/M843AI
Image Sensor	1/3" COLOR SONY SUPER HAD CCD II
Pixel	410K
Scanning System	2:1 Interlace
Sync. Type	Internal
Resolution	600 TV-LINE(COLOR), 680 TV-LINE(B/W)
S/N Ratio	48dB or More(AGC OFF)
Video Output	1.0 Vp-p(Sync. Negative) Termination 75Ω
Min. Illumination	0.01 Lux(F1.2) 0 Lux (40M Range at LED HIGH) : Indoor
Gamma	$\gamma=0.45$ typ.(0.45, 0.6, 1.0, user)
OSD	Yes(Multi Language)
White Balance	ATW(2,500°K~9,500°K)/MANUAL/AWC
Shutter Speed	1/60(1/50)~1/100,000sec
Backlight	BLC/HLC/OFF
AGC	LOW/MIDDLE/HIGH/OFF
Motion Detection	ON/OFF (64 Block)
Privacy Zone	ON/OFF (4 Zone)
Mirror	ON/OFF
Day & Night	ICR(AUTO, COLOR, B/W)
LED Brightness	30pcs(LOW, MIDDLE, HIGH, OFF)
Impact Detection	LOW/MIDDLE/HIGH/OFF
Communication	RS-485(Protocol : Pelco D, Pelco P)
Lens	Vari-focal auto iris lens
Power Supply	12V DC or 24V AC(Dual Voltage) - Option
Current Consumption	MAX. 600mA(at 12V DC) : LED ON
Fan	Option
Operation Temp.	-10°C ~ 50°C
Preservation Temp.	-20°C ~ 60°C
Dimension	79(W) X 80.5(H) X 172.3(D) mm
Weight	Approx. 1.2Kg

# SK-P500/M544AI

## Features

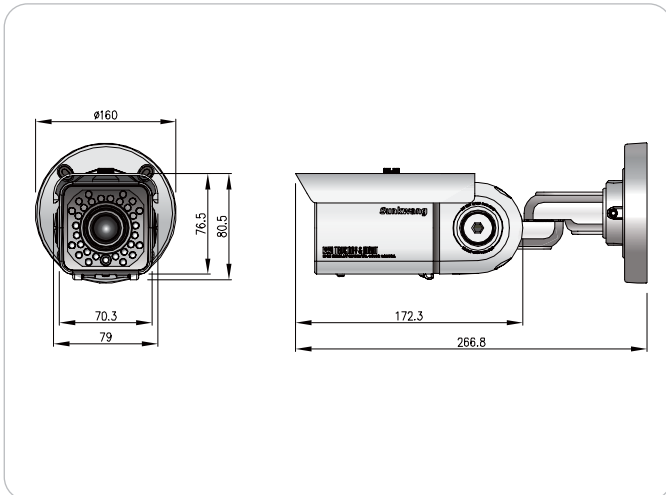
- 40M range visible in total darkness with 30pcs of IR LEDs
- 1/3" COLOR SONY Super HAD CCD II
- IR LED output level adjustable
- Weather-proof(IP65)
- 3-Axis Bracket for 3D(Pan/Tilt/Roll) rotation
- D-WDR(Digital Wide Dynamic Range), DNR(3D) Function
- Day & Night function(ICR)
- Advanced High Resolution (560TV-Line : Color, 650TV-Line : B/W)
- Split Glass Technology
- Fan(Optional) & Heater for extreme temperature operation
- All controls hidden behind an easy access door
- Multi-language full OSD support
- RS-485 interface(PELCO-D support)
- MULTI FUNCTION : Motion Detection, Privacy Mask, Sense up(256X), Freeze, Flip(H/V-REV), D-zoom
- Option : 12V DC or 24V AC Dual voltage



IR 30EA DAY&NIGHT CAMERA

## Dimension

Unit : mm



## Specification

Model	SK-P500/M544AI
Image Sensor	1/3" COLOR SONY SUPER HAD CCD II
Pixel	410K
Scanning System	2:1 Interlace
Sync. Type	Internal / External(Line Lock)
Resolution(Horizontal)	560 TV-LINE(COLOR), 650 TV-LINE(B/W)
S/N Ratio	52dB or More(AGC OFF)
Video Output	1.0 Vp-p(Sync. Negative) Termination 75Ω
Min. Illumination	COLOR : 0.15 Lux(F/1.2), 0.005Lux(Sense up) B/W : 0.05 Lux(F/1.2), 0.0009Lux(Sense up) LED ON : 0 Lux (40M Range) - Indoor
Gamma	$\gamma=0.45$ typ.(0.45, 0.6, 1.0, user)
OSD	Yes(Multi Language)
White Balance	ATW/AWB/INDOOR/OUTDOOR/MANUAL(1,800°K~10,500°K)
Shutter Speed	1/60(1/50)~1/100,000sec
Sense up	Auto(Selectable limit 2X~256X)/Fixed/Off
Backlight	DWDR / BLC / HLC / OFF
AGC	Low/Middle/High/Off
DNR(3D)	OFF / ON
Motion Detection	ON/OFF (4Zone)
Privacy Zone	ON/OFF (8Zone)
Mirror	H/V/BOTH
Day & Night	ICR(AUTO / COLOR / B/W)
LED Brightness	30pcs(Output level adjustable)
Digital Zoom	On(32X)/Off
Blemish Compensation	256 Point(Manual, Auto)
Communication	RS-485(Protocol : Pelco D)
Lens	Vari-focal auto iris lens
Power Supply	12V DC or 24V AC Dual voltage - Option
Current Consumption	MAX. 700mA(at 12V DC, 24V AC) : LED ON
Fan, Heater	Option, Yes
Operation Temp.	-20°C ~ 50°C
Preservation Temp.	-20°C ~ 60°C
Dimension	79(W) X 80.5(H) X 172.3(D) mm
Weight	Approx. 1.2kg

## IR 30EA All-in-One CAMERA

# SK-P500/M945AI, SK-P500/M946AI

### Features

- 40M range visible in total darkness with 30pcs of IR LEDs
- IR LED output level adjustable
- Weather-proof(IP65), Day & Night function(ICR)
- 3-Axis Bracket for 3D(Pan/Tilt/Roll) rotation
- All controls hidden behind an easy access door
- RS485 Interface, Heater for extreme temperature operation
- Option : Dual voltage, Fan
- MULTI FUNCTION : High Light Mask, Motion Detection, Privacy Mask, Defect Pixel Correction, Freeze, Flip(H/V/Both), Digital Zoom, Multi-language OSD

#### [SK-P500/M945AI]

- Advanced High Resolution (580TV-Line : Color, 700TV-Line : B/W)
- 1/3" COLOR SONY WDR CCD & SV4 DSP
- WDR, DIS(Digital Image Stabilizer), 3D-DNR, Sense up(256X)

#### [SK-P500/M946AI]

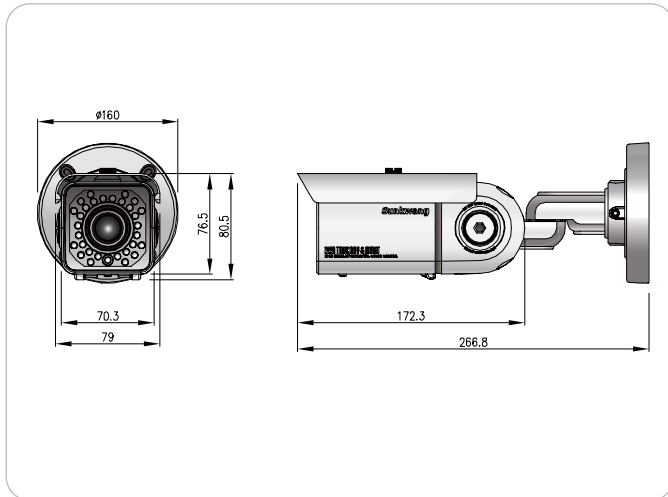
- Supreme Resolution (600TV-Line : Color, 700TV-Line : B/W)
- 1/3" COLOR SONY Super HAD CCD II & W5 DSP
- SSSDR(Digital WDR), DIS(Digital Image Stabilizer), 3D-DNR, Sense up(512X)



IR 30EA DAY&NIGHT CAMERA

### Dimension

Unit : mm



### Specification

Model	SK-P500/M945AI	SK-P500/M946AI
Image Sensor / Pixel	1/3" COLOR SONY WDR CCD / 410K	1/3" COLOR SONY SUPER HAD CCD II / 410K
Scanning System	2:1 Interlace	
Sync. Type	Internal / External(Line-Lock)	
Resolution	580 TV-LINE(COLOR), 700 TV-LINE(B/W)	600 TV-LINE(COLOR), 700 TV-LINE(B/W)
S/N Ratio	52dB or More(AGC OFF)	
Video Output	1.0 Vp-p(Sync. Negative) Termination 75Ω	
Min. Illumination	COLOR : 0.3 Lux(F/1.2), 0.001Lux(Sense up) B/W : 0.09 Lux(F/1.2), 0.0004Lux(Sense up) 0 Lux (40M Range at LED HIGH) : Indoor	COLOR : 0.15 Lux(F/1.2), 0.0005Lux(Sense up) B/W : 0.05 Lux(F/1.2), 0.0002Lux(Sense up) 0 Lux (40M Range at LED HIGH) : Indoor
Gamma	$\gamma=0.45$ typ.(0.45, 0.6, 1.0, user)	
OSD	Yes(Multi Language)	
White Balance	ATW(1,800°K~10,500°K) MANUAL/AWC/INDOOR/OUTDOOR	ATW(1,700°K~11,000°K) MANUAL/AWC/INDOOR/OUTDOOR
Shutter Speed	1/60(1/50)~1/120,000sec	
Sense up	Auto(Selectable limit 2X~256X)/Fixed/Off	Auto(Selectable limit 2X~512X)/Fixed/Off
Backlight	BLC/WDR/HLC/OFF	BLC/SSDR/HLC/OFF
AGC	LOW/HIGH/OFF	
DNR(3D)	ON(0~32)/OFF	
Motion Detection	ON/OFF (8 Zone)	
Privacy Zone	ON/OFF (8 Zone)	ON/OFF (12 Zone)
Mirror	H/V/BOTH	
Freeze	ON/OFF	
Day & Night	ICR(AUTO, COLOR, B/W)	
LED Brightness	30pcs(Output level adjustable)	
DIS	ON/OFF	
Digital Zoom	ON(10X)/OFF	ON(16X)/OFF
Blemish Compensation	256 Point(Even 128 point, Odd 128 point)	
Communication	RS-485 (Protocol : Pelco D)	RS-485 (Protocol : Pelco D&P, STW(SPD), SEC, BOSCH, HONEYWELL, VICON, PANA.)
Lens	Vari-focal auto iris lens	
Power Supply	12V DC or 24V AC(Dual Voltage) - Option	
Current Consumption	MAX. 700mA(at 12V DC, 24V AC) : LED ON	
Fan, Heater	Option, Yes	
Operation / Preservation Temp.	-20°C ~ 50°C / -20°C ~ 60°C	
Dimension	79(W) X 80.5(H) X 172.3(D) mm	
Weight	Approx. 1.2kg	

## IR 30EA All-in-One CAMERA

# SK-P500/M340AI

### Features

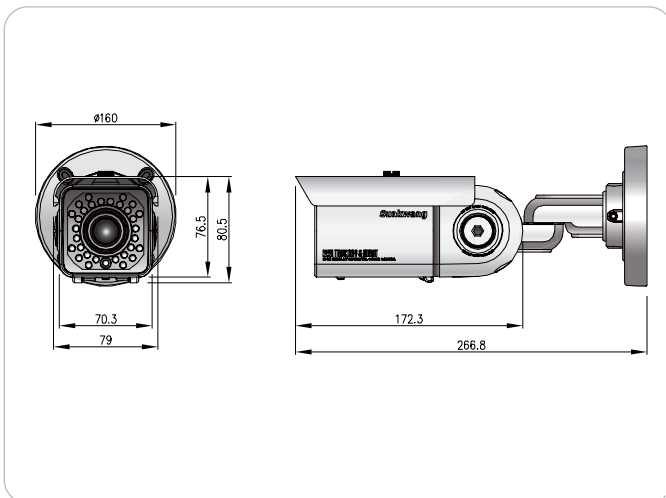
- 40M range visible in total darkness with 30pcs of IR LEDs
- Super Supreme Resolution (700TV-Line : Color, 780TV-Line : B/W)
- Advanced clear picture quality with 1/3" COLOR SONY Super HAD CCD II (960H) & EFFIO DSP
- IR LED output level controllable via RS-485 interface (PELCO-D, PELCO-P, SK-S)
- Weather-proof(IP65)
- 3-Axis Bracket for 3D(Pan/Tilt/Roll) rotation
- Advanced WDR(without 'Mixture color noise'), 3D-DNR, Sense up(512X)
- Day & Night function(ICR)
- Split Glass Technology
- Fan(Optional) & Heater for extreme temperature operation
- All controls hidden behind an easy access door
- Multi-language Full OSD support
- Option : 12V DC or 24V AC Dual voltage
- MULTI FUNCTION : Face Detection, Motion Detection, Privacy Mask, Freeze, Flip(H/V/Both), Digital Zoom



IR 30EA DAY&NIGHT CAMERA

### Dimension

Unit : mm



### Specification

Model	SK-P500/M340AI
Image Sensor / Pixel	1/3" COLOR SONY SUPER HAD CCD II(960H) / 0.5M
Scanning System	2:1 Interlace
Sync. Type	Internal / External(Line-Lock)
Resolution	700 TV-LINE(COLOR), 780 TV-LINE(B/W)
S/N Ratio	52dB or More(AGC OFF)
Video Output	1.0 Vp-p(Sync. Negative) Termination 75Ω
Min. Illumination	Color : 0.15 Lux(F/1.2), 0.0005Lux(Sense up) B/W : 0.05 Lux(F/1.2), 0.0002Lux(Sense up) 0 Lux(40M Range at LED HIGH) : Indoor
Gamma	$\gamma=0.45$ typ.
OSD	Yes(Multi Language)
White Balance	ATW(1,800°K~10,500°K)/PUSH/MANUAL/AWC
Shutter Speed	1/60(1/50)~1/100,000sec
Sense up	Auto(Selectable limit 2X~512X)/Off
Backlight	BLC/WDR/OFF
AGC	LOW/MIDDLE/HIGH/OFF
DNR(3D)	0-33 Selectable
Face Detection	ON/OFF (4 Zone)
Motion Detection	ON/OFF (4 Zone)
Privacy Zone	ON/OFF (8 Zone)
Mirror	H/V/BOTH
Freeze	ON/OFF
Day & Night	ICR(AUTO, COLOR, B/W)
LED Brightness	30pcs(LOW, MIDDLE, HIGH, OFF)
Digital Zoom	ON(16X)/OFF
Communication	RS-485(Protocol : Pelco D, Pelco P, SK-S)
Lens	Vari-focal auto iris lens
Power Supply	12V DC or 24V AC(Dual Voltage) - Option
Current Consumption	MAX. 1.0A(at 12V DC, 24V AC) : LED ON
Fan, Heater	Option, Yes
Operation Temp.	-20°C ~ 50°C
Preservation Temp.	-20°C ~ 60°C
Dimension	79(W) X 80.5(H) X 172.3(D) mm
Weight	Approx. 1.2kg

## IR 30EA All-in-One CAMERA

# SK-P500/M763AI

### Features

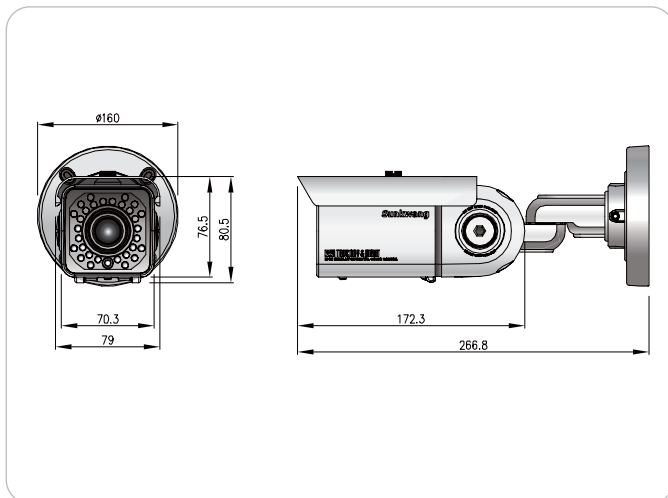
- 40m range visible in total darkness with 30pcs of IR LEDs
- IR LED level adjustable
- Advanced High Resolution(530TV-Line : Color, 580TV-Line : B/W)
- 1/3" COLOR SONY SUPER HAD CCD II
- Day & Night function(ICR)
- Split Glass Technology
- 3-AXIS Bracket for 3D(Pan/Tilt/Roll) rotation
- Weather-proof(IP65)
- Heater & fan(Optional) for extreme temperature operation
- All controls hidden behind an easy access door
- Mirror, Motion Detection, Privacy function
- Multi-language(English, Japanese, Chinese, Korean) full OSD support
- Option : 12V DC or 24V AC Dual voltage



IR 30EA DAY&NIGHT CAMERA

### Dimension

Unit : mm



### Specification

MODEL	SK-P500/M763AI
Image Sensor	1/3" COLOR SONY SUPER HAD CCD II
Pixel	410K
Scanning	2:1 Interlace
Sync. Type	Internal
Resolution	Color : 530TV-Line , B/W : 580TV-Line
Video Output	1.0Vp-p(Sync.Negative) Termination 75Ω±10%
S/N Ratio	48dB or More(AGC OFF)
Min. Illumination	0Lux(40M Range) : IR LED ON - Indoor 0.01Lux(F/1.2) : LED OFF
Gamma	γ=0.45 typ.
Shutter Speed	1/60(1/50) ~ 1/100,000sec
Day & Night	ICR(AUTO/COLOR/BW)
LED	IR LED 30pcs
BLC	ON/OFF(64step,64area)
AGC	ON/OFF(256step)
Flickerless	ON/OFF
White Balance	ATW/AWB/FIXED/MANUAL
Privacy Zone	ON/OFF Selectable(4 Zone)
Power Supply	24V AC & Regulated 12V DC
Current Consumption	Max. 700mA(at 12V DC )
Lens	Vari-focal auto iris lens
Fan, Heater	Option, Yes
Operation Temp.	-20°C ~ 50°C
Preservation Temp.	-20°C ~ 60°C
Dimension	79(W) X 80.5(H) X 172.3(D)mm
Weight	Approx. 1.2kg

# SK-P600X, SK-P600/M363, SK-P600/M503

## Features

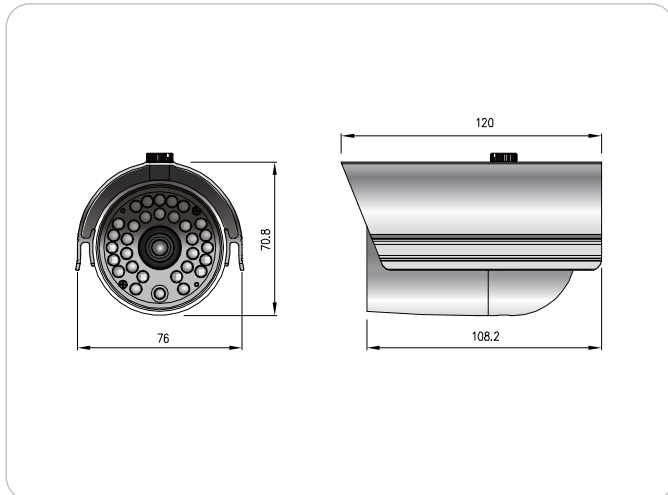
- True Day & Night function(Exchange of two filters) : SK-P600X
- 1/3" COLOR SONY CCD
- High Resolution : SK-P600X, SK-P600/M363
- 40M visible range in total darkness with 30pcs of IR LEDs, Indoor(SK-P600X)
- Waterproof(IP67)
- Strong aluminum case for outdoor use
- Built-in IR lens : Perfect focus anytime



IR 30EA DAY&NIGHT CAMERA

## Dimension

Unit : mm



## Specification

MODEL	SK-P600X	SK-P600/M363	SK-P600/M503
Image Sensor	1/3" COLOR SONY EXview HAD CCD	1/3" COLOR SONY SUPER HAD CCD	
Pixel	410K		270K
Scanning	2:1 Interlace		
Sync. Type	Internal		
Video Output	1.0Vp-p(Sync.Negative) Termination 75Ω		
S/N Ratio	45dB or More(AGC OFF)		
Min. Illumination	0Lux (40M Range): LED ON / Indoor	0Lux(30M Range) : LED ON / Indoor	
Gamma	$\gamma=0.45$ typ.		
Shutter Speed	1/60(1/50) ~ 1/100,000sec		
Resolution	Color : 480TV-Line B/W : 520TV-Line	Color : 500TV-Line	Color : 380TV-Line
Day & Night	True D&N	Electronic D&N	
Lens	Fixed focal lens		
Power Supply	Regulated 12V DC $\pm 10\%$		
Current Consumption	Max. 700mA at 12V DC (Motor Driving, LED ON)	Max. 480mA at 12V DC (LED ON)	
Operation Temp.	-10°C ~ 50°C		
Preservation Temp.	-20°C ~ 60°C		
Dimension	76(W) X 70.8(H) X 120(D) mm		
Weight	Approx. 400g		

## WATERPROOF IR CAMERA

# SK-2129, SK-2149 : COLOR / SK-2029 : BW

### Features

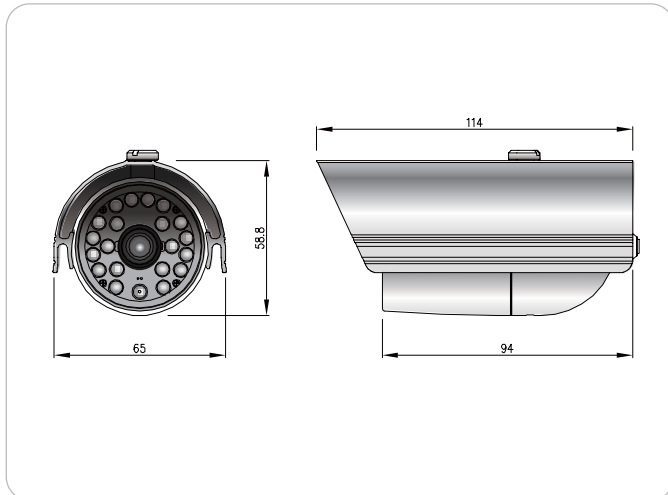
- Waterproof(IP67)
- Strong aluminum case(for outdoor use)
- Automatically LEDs ON/OFF by lighting
- Built-in 20pcs of IR LEDs
- High Resolution : SK-2149



PIPE  
CAMERA

### Dimension

Unit : mm



### Specification

MODEL	SK-2029	SK-2129	SK-2149
Image Sensor	1/3" BW SONY SUPER HAD CCD	1/3" COLOR SONY SUPER HAD CCD II	1/3" COLOR SONY SUPER HAD CCD
Pixel	270K		410K
Scanning	2:1 Interlace		
Sync. Type	Internal		
Video Output	1.0Vp-p(Sync. Negative) Termination 75Ω		
S/N Ratio	45dB or More (AGC OFF)	48dB or More (AGC OFF)	45dB or More (AGC OFF)
Min. Illumination	0Lux(30M Range) : LED ON	0Lux(20M Range) : LED ON	
Gamma	γ=0.45 typ.		
Shutter Speed	1/60(1/50) ~ 1/100,000sec		
Resolution	400TV-Line	380TV-Line	500TV-Line
Lens	Fixed focal lens		
Power Supply	Regulated 12V DC ±10%		
Current Consumption	Max. 360mA(LED ON), Max. 150mA(LED OFF)		
Operation Temp.	-10°C ~ 50°C		
Preservation Temp.	-20°C ~ 60°C		
Dimension	65(W) X 58.8(H) X 114(D)mm		
Weight	Approx. 350g		

## WATERPROOF IR CAMERA

# SK-2144, SK-2124 : COLOR / SK-2044, SK-2024 : BW

### Features

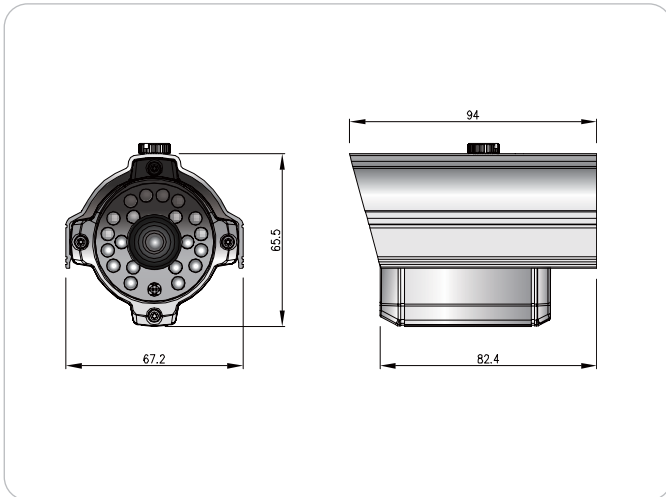
- Waterproof(IP67)
- Strong aluminum case(for outdoor use)
- Automatically LEDs ON/OFF by lighting
- Built-in 12pcs of IR LEDs(Option : Built-in 20pcs of IR LEDs)
- High Resolution : SK-2144, SK-2044
- Option : Full OSD(SK-2124/SHT)



PIPE  
CAMERA

### Dimension

Unit : mm



### Specification

MODEL	SK-2124	SK-2144	SK-2024/2044
Image Sensor	1/4" COLOR SONY SUPER HAD CCDII 1/3" COLOR SONY SUPER HAD CCD	1/3" COLOR SONY SUPER HAD CCD	1/3" B/W SONY SUPER HAD CCD
Pixel	270K	410K	270K(SK-2024) 410K(SK-2044)
Resolution	380TV-Line	500TV-Line	400TV-Line(SK-2024) 570TV-Line(SK-2044)
Scanning	2:1 Interlace		
Sync. Type	Internal		
Video Output	1.0Vp-p(Sync.Negative) Termination 75Ω		
S/N Ratio	48dB or More (AGC OFF)	45dB or More(AGC OFF)	
Min. Illumination	0Lux(10M Range) : LED ON		
Gamma	$\gamma=0.45$ typ.		
Shutter Speed	1/60(1/50) ~ 1/100,000sec		
Lens	Fixed focal lens		
Power Supply	Regulated 12V DC $\pm 10\%$		
Current Consumption	Max. 360mA(LED ON), Max. 150mA(LED OFF)		
Operation Temp.	$-10^{\circ}\text{C} \sim 50^{\circ}\text{C}$		
Preservation Temp.	$-20^{\circ}\text{C} \sim 60^{\circ}\text{C}$		
Dimension	67.2(W) X 65.5(H) X 94(D)mm		
Weight	Approx. 350g		



## WATERPROOF CAMERA

# SK-P160, SK-P170

### Features

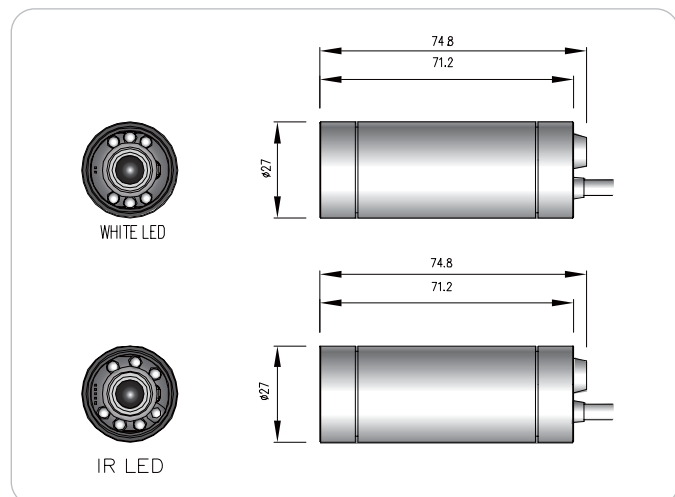
- Waterproof(IP68)
- 1/3" COLOR SONY SUPER HAD CCD II : SK-P160
- 1/3" COLOR SONY SUPER HAD CCD : SK-P170
- Automatically LEDs ON/OFF by lighting(IR LED Type)
- Built-in IR LEDs or White LEDs(6EA)
- High Resolution : SK-P160



PIPE  
CAMERA

### Dimension

Unit : mm



### Specification

MODEL	SK-P160	SK-P170
Image Sensor	1/3" COLOR SONY SUPER HAD CCD II	1/3" COLOR SONY SUPER HAD CCD
Pixel	410K	270K
Resolution	500TV-Line	380TV-Line
Sync. Type	Internal	
Scanning	2:1 Interlace	
Video Output	1.0Vp-p(Sync.Negative) Termination 75Ω	
S/N Ratio	45dB(AGC OFF)	
Min. Illumination	0Lux(5m Range) : IR LED ON 0Lux(4m Range) : White LED ON 0.01Lux : LED OFF	0Lux(3m Range) : IR LED ON 0Lux(3m Range) : White LED ON 0.1Lux : LED OFF
Lens	Fixed focal lens	
Gamma	$\gamma=0.45$ typ.	
Gain Control	Automatic	
Shutter Speed	1/60(1/50) ~ 1/100,000sec	
Power Supply	Regulated 12V DC $\pm 10\%$	
Current Consumption	Max. 280mA(at 12V DC, W/White LED) Max. 300mA(at 12V DC, W/IR LED)	
Operation Temp.	-10°C ~ 50°C	
Preservation Temp.	-20°C ~ 60°C	
Dimension	Ø27x74.8(D)mm(W/O Sunvisor)	
Weight	Approx. 100g	

## VARI-FOCAL WATERPROOF CAMERA

# SK-P260, SK-P270

### Features

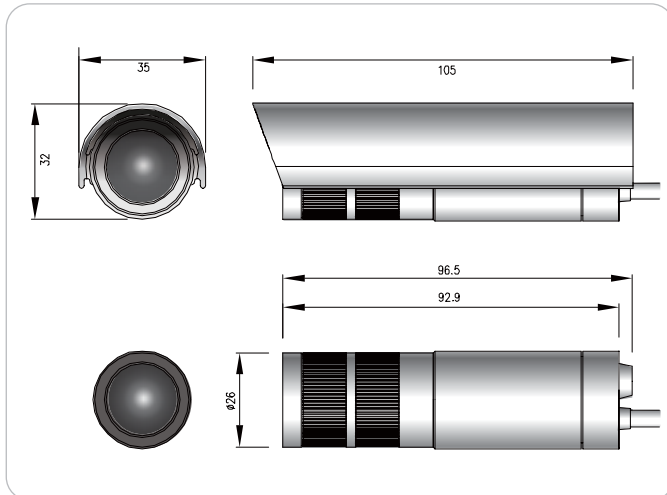
- Waterproof(IP67)
- 1/3" COLOR SONY SUPER HAD CCD II : SK-P260
- 1/3" COLOR SONY SUPER HAD CCD : SK-P270
- Built-in waterproof vari-focal lens(4 ~ 9mm or 9 ~ 22mm)
- High Resolution : SK-P260



PIPE  
CAMERA

### Dimension

Unit : mm



### Specification

MODEL	SK-P260	SK-P270
Image Sensor	1/3" COLOR SONY SUPER HAD CCD II	1/3" COLOR SONY SUPER HAD CCD
Pixel	410K	270K
Resolution	500TV-Line	380TV-Line
Sync. Type	Internal	
Scanning	2:1 Interlace	
Video Output	1.0Vp-p(Sync.Negative) Termination 75Ω	
S/N Ratio	45dB(AGC OFF)	
Min. Illumination	0.1Lux	0.1Lux
Lens	Vari focal lens	
Gamma	$\gamma=0.45$ typ.	
Gain Control	Automatic	
Shutter Speed	1/60(1/50) ~ 1/100,000sec	
Power Supply	Regulated 12V DC $\pm 10\%$	
Current Consumption	Max. 130mA(at 12V DC)	
Operation Temp.	-10°C ~ 50°C	
Preservation Temp.	-20°C ~ 60°C	
Dimension	Ø26 X 105(D)mm	
Weight	Approx. 150g(W/Sunvisor)	

## WATERPROOF IR CAMERA

# SK-2120

### Features

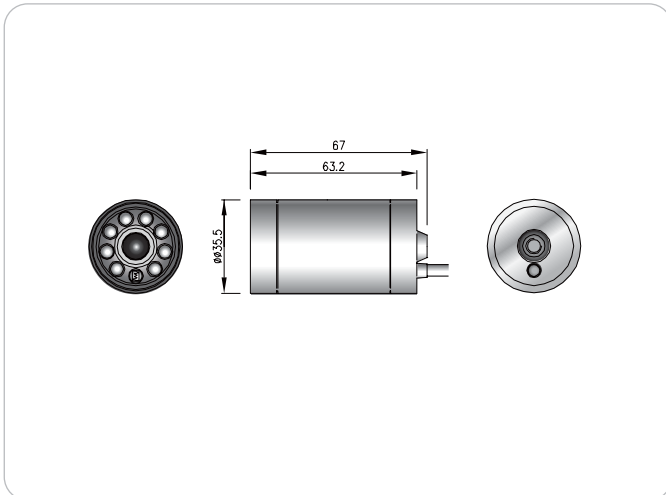
- Waterproof(IP68)
- 1/4" COLOR SONY SUPER HAD CCD
- Brass housing(Submergible)
- Automatically LEDs ON/OFF by lighting
- Built-in IR LEDs or White LEDs
- Underwater operation capabilities to a 30M maximum



PIPE  
CAMERA

### Dimension

Unit : mm



### Specification

MODEL	SK-2120
Image Sensor	1/4" COLOR SONY SUPER HAD CCD
Pixel	270K
Scanning	2:1 Interlace
Sync. Type	Internal
Resolution	330TV-Line
Video Output	1.0Vp-p Composite
S/N Ratio	45dB or More(AGC OFF)
Min. Illumination	0Lux(5M Range) : LED ON
Gamma	$\gamma=0.45$ typ.
Shutter Speed	1/60(1/50) ~ 1/100,000sec
Lens	Fixed focal lens
Power Supply	Regulated 12V DC $\pm 10\%$
Current Consumption	Max. 240mA(LED ON) Max. 150mA(LED OFF)
Operation Temp.	-10°C ~ 50°C
Preservation Temp.	-20°C ~ 60°C
Dimension	$\varnothing 35.5 \times 67(D)$ mm
Weight	Approx. 280g (1.8m cable)

## B/W WATERPROOF IR CAMERA

# SK-2020, SK-2020X, SK-2040

### Features

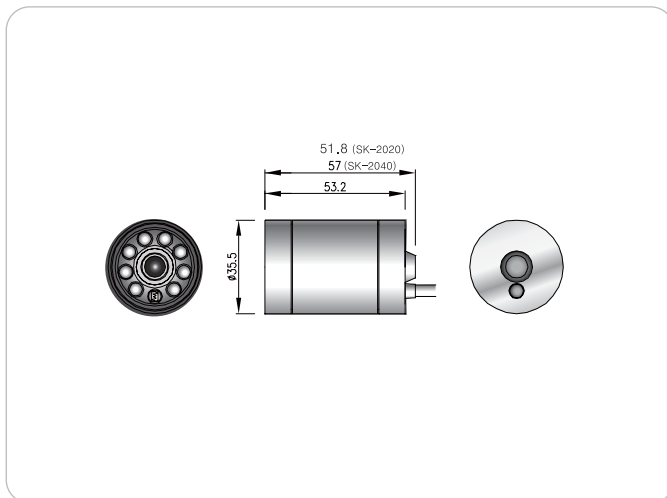
- Waterproof(IP68)
- 1/3" B/W SONY CCD
- Brass housing(Submergible)
- Automatically LEDs ON/OFF by lighting
- Built-in IR LEDs
- Underwater operation capabilities to a 30M maximum



PIPE  
CAMERA

### Dimension

Unit : mm



### Specification

MODEL	SK-2020	SK-2020X	SK-2040
Image Sensor	1/3" B/W SONY SUPER HAD CCD	1/3" B/W SONY EXview HAD CCD	1/3" B/W SONY SUPER HAD CCD
Pixel	270K		410K
Resolution	400TV-Line		570TV-Line
Scanning	2:1 Interlace		
Sync. Type	Internal		
Video Output	1.0Vp-p Composite		
S/N Ratio	45dB or More(AGC OFF)		
Min. Illumination	0Lux(10M Range) : LED ON		
Gamma	$\gamma=0.45$ typ.		
Shutter Speed	1/60(1/50) ~ 1/100,000sec		
Lens	Fixed focal lens		
Power Supply	Regulated 12V DC $\pm 10\%$		
Current Consumption	Max. 150mA (6 IR LED), Max. 190mA (10 IR LED)		Max. 230mA / LED ON
Operation Temp.	-10°C ~ 50°C		
Preservation Temp.	-20°C ~ 60°C		
Dimension	$\varnothing 35.5 \times 51.8(D)$ mm		$\varnothing 35.5 \times 57(D)$ mm
Weight	Approx. 210g		

## B/W WEATHER-PROOF CAMERA

# SK-2002, SK-2002X

### Features

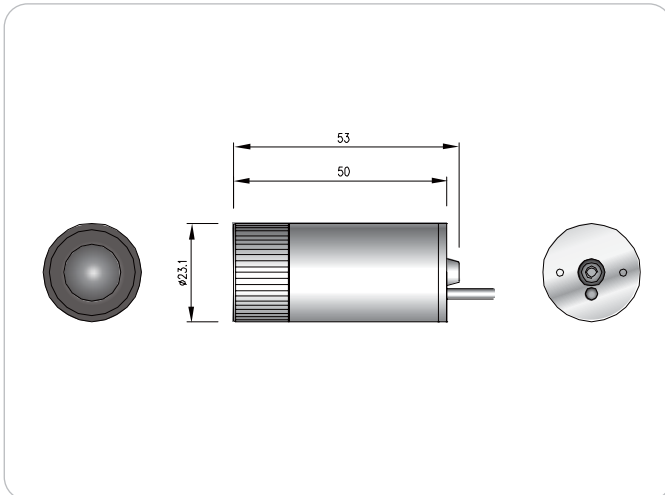
- Small diameter(Ø23) pipe camera
- 1/3" B/W SONY CCD
- Min. Illumination : 0.003Lux(SK-2002X)
- Weather-proof
- Cone, flat type pinhole lens available



PIPE  
CAMERA

### Dimension

Unit : mm



### Specification

MODEL	SK-2002	SK-2002X
Image Sensor	1/3" B/W SONY SUPER HAD CCD	1/3" B/W SONY EXview HAD CCD
Pixel	270K	
Scanning	2:1 Interlace	
Sync. Type	Internal	
Resolution	400TV-Line	
Video Output	1.0Vp-p Composite	
S/N Ratio	45dB or More(AGC OFF)	
Min. Illumination	0.05Lux(F/1.2)	0.003Lux(F/1.2)
Gamma	$\gamma=0.45$ typ.	
Shutter Speed	1/60(1/50) ~ 1/100,000sec	
Lens	Fixed focal lens	
Power Supply	Regulated 12V DC $\pm 10\%$	
Current Consumption	Max. 110mA	
Operation Temp.	-10°C ~ 50°C	
Preservation Temp.	-20°C ~ 60°C	
Dimension	Ø23.1 X 53(D)mm	
Weight	Approx. 50g	

# SK-2018

## Features

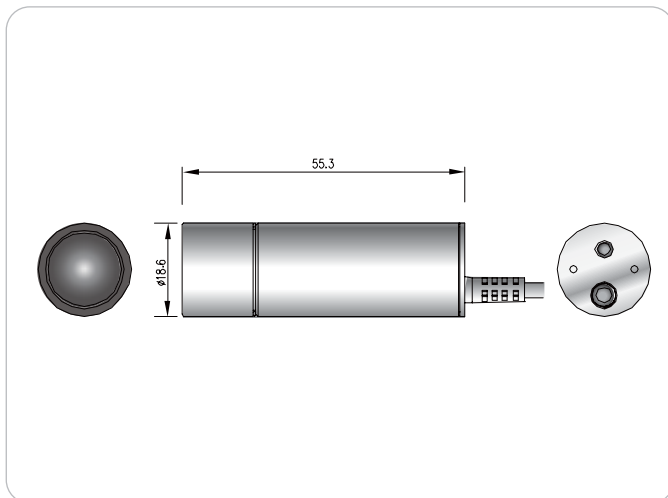
- Ultra small diameter(Ø18.6)
- 1/3" B/W SONY SUPER HAD CCD
- Min. illumination : 0.01Lux
- Cone, flat type pinhole lens available
- Waterproof(IP67) : board lens only



PIPE CAMERA

## Dimension

Unit : mm



## Specification

MODEL	SK-2018
Image Sensor	1/3" B/W SONY SUPER HAD CCD
Pixel	270K
Scanning	2:1 Interlace
Sync. Type	Internal
Resolution	400TV-Line
Video Output	1.0Vp-p(Sync.Negative) Termination 75Ω
S/N Ratio	45dB or More(AGC OFF)
Min. Illumination	0.01Lux(F/1.2)
Gamma	$\gamma=0.45$ typ.
Shutter Speed	1/60(1/50) ~ 1/100,000sec
Lens	Fixed focal lens
Power Supply	Regulated 12V DC $\pm 10\%$
Current Consumption	Max. 110mA
Operation Temp.	-10°C ~ 50°C
Preservation Temp.	-20°C ~ 60°C
Dimension	Ø18.6x55.3(D)mm
Weight	Approx. 65g

# SK-P700IRD/MP13AI

## Features

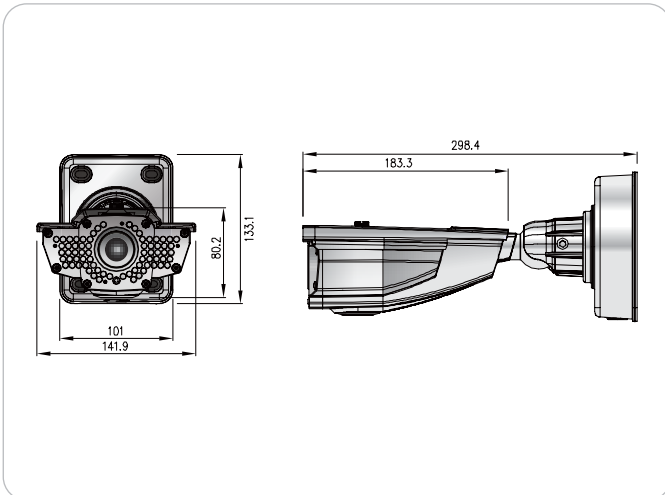
- Super WDR operation
- 1/3" PIXIM DPS sensor
- Advanced High Resolution(540TV-Line)
- 3-AXIS Bracket for 3D(Pan/Tilt/Roll) rotation
- True Day & Night function(Exchange of two filters)
- Waterproof(IP67)
- Preset mode(Indoor, Outdoor, Window, FLK) for common applications
- 70M range visible in total darkness with 70pcs of IR LEDs & 5~50mm lens
- WDR zone adjustable
- Super Digital Noise Reduction(SDNR) operation
- Sense up(up to 32X)
- RS-485 interface(PELCO-D support)
- All controls hidden behind an easy access door
- Option : 12V DC or 24V AC Dual voltage
- Multi language full OSD support
- Heater & fan for extreme temperature operation



PIXIM WDR  
CAMERA

## Dimension

Unit : mm



## Specification

Model	SK-P700IRD/MP13AI
Image Sensor	1/3" PIXIM DPS Sensor
Pixel	720(H)x540(V) Pixel
Resolution	540TV-Line
Sync. Type	Internal
Scanning	Progressive scan
Video Output	1.0Vp-p(Sync. Negative) Termination 75Ω
Gamma	$\gamma=0.45$ typ.(Selectable)
Min. Illumination	0Lux(70M Range) : LED ON - Indoor 0.1Lux(Sense up 32X) : LED OFF
S/N Ratio	50dB or More(AGC OFF)
OSD	YES(Multi-language)
Day & Night	True D&N(AUTO/COLOR/BW)
Backlight	WDR/BLC/OFF
Privacy Zone	12 Zone
Mirror	H/V/BOTH
Communication	RS-485(PELCO-D)
Lens	Vari-focal auto iris lens
LED	IR LED 70pcs
Shutter Speed	1/60(1/50) ~ 1/100,000 sec
Power Supply	12V DC or 24V AC Dual voltage - Option
Current Consumption	Max. 1.3A at (12V DC, 24V AC) : LED ON
Fan, Heater	YES
Operation Temp.	-20°C ~ 50°C
Preservation Temp.	-20°C ~ 60°C
Dimension	141.9(W)x80.2(H)x183.3(D)mm
Weight	Approx. 1.7Kg

# SK-D300IRD/MP13AI

## Features

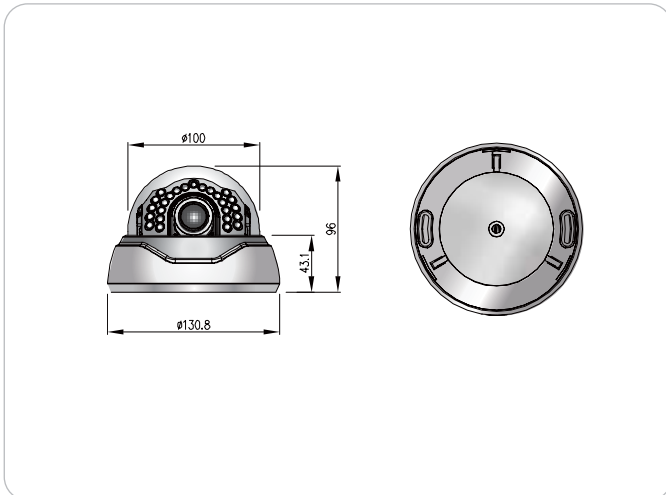
- 1/3" PIXIM DPS sensor
- Super WDR operation
- Advanced High Resolution(540TV-Line)
- 3-AXIS Bracket for 3D(Pan/Tilt/Roll) rotation
- True Day & Night function(Exchange of two filters)
- Preset mode(Indoor, Outdoor, Window, FLK) for common applications
- 25M range visible in total darkness with 24pcs of IR LEDs
- WDR zone adjustable
- Super Digital Noise Reduction(SDNR) operation
- Sense up(up to 32X)
- RS-485 interface(PELCO-D support)
- Extra Video connector for easy installation
- Fan for extreme temperature operation
- Option : 12V DC or 24V AC Dual voltage



PIXIM WDR  
CAMERA

## Dimension

Unit : mm



## Specification

Model	SK-D300IRD/MP13AI
Image Sensor	1/3" PIXIM DPS Sensor
Pixel	720(H)x540(V) Pixel
Resolution	540TV-Line
Sync. Type	Internal
Scanning	Progressive scan
Video Output	1.0Vp-p(Sync. Negative) Termination 75Ω
Gamma	$\gamma=0.45$ typ.(Selectable)
Min. Illumination	0Lux(25M Range) : LED ON - Indoor 0.1Lux(Sense up 32X) : LED OFF
S/N Ratio	50dB or More(AGC OFF)
OSD	YES(Multi-language)
Day & Night	True D&N(Auto/Color/BW)
Backlight	WDR/BLC/OFF
Privacy Zone	12 Zone
Mirror	H/V/BOTH
Communication	RS-485(Pelco-D)
Lens	Vari-focal auto iris lens
LED	IR LED 24pcs
Shutter Speed	1/60(1/50) ~ 1/100,000 sec
Power Supply	12V DC or 24V AC Dual voltage - Option
Current Consumption	Max. 600mA
Fan	Yes
Operation Temp.	-10°C ~ 50°C
Preservation Temp.	-20°C ~ 60°C
Dimension	Ø130.8x96(H)mm
Weight	Approx. 400g



# SK-V251IRD/MP13AI

## Features

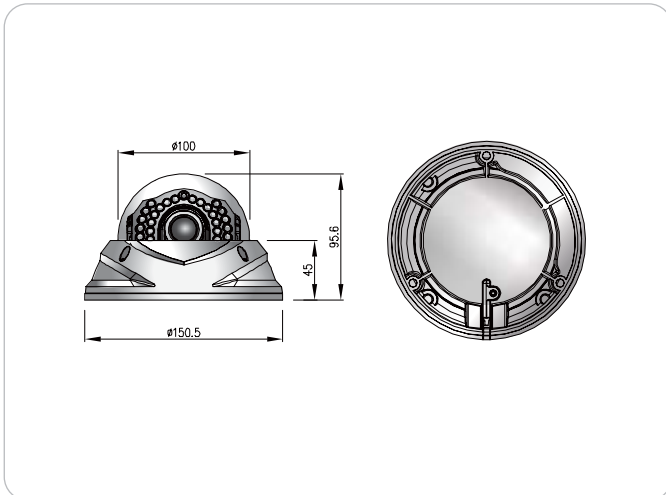
- Vandal-proof & Waterproof(IP67)
- 1/3" PIXIM DPS sensor
- Super WDR operation
- Advanced High Resolution(540TV-Line)
- 3-AXIS Bracket for 3D(Pan/Tilt/Roll) rotation
- True Day & Night function(Exchange of two filters)
- Preset mode(Indoor, Outdoor, Window, FLK) for common applications
- 25M range visible in total darkness with 24pcs of IR LEDs
- WDR zone adjustable
- Super Digital Noise Reduction(SDNR) operation
- Sense up(up to 32X)
- RS-485 interface(PELCO-D support)
- Extra Video connector for easy installation
- Multi language full OSD support
- Fan & Heater for extreme temperature operation
- Option : 12V DC or 24V AC Dual voltage



PIXIM WDR CAMERA

## Dimension

Unit : mm



## Specification

Model	SK-V251IRD/MP13AI
Image Sensor	1/3" PIXIM DPS Sensor
Pixel	720(H)x540(V) Pixel
Resolution	540TV-Line
Sync. Type	Internal
Scanning	Progressive scan
Video Output	1.0Vp-p(Sync. Negative) Termination 75Ω
Gamma	$\gamma=0.45$ typ.(Selectable)
Min. Illumination	0Lux(25M Range) : LED ON - Indoor 0.1Lux(Sense up 32X) : LED OFF
S/N Ratio	50dB or More(AGC OFF)
OSD	YES(Multi-language)
Day & Night	True D&N(AUTO/COLOR/BW)
Backlight	WDR/BLC
Privacy Zone	12 Zone
Mirror	H/V/BOTH
Communication	RS-485(Pelco-D)
Lens	Vari-focal auto iris lens
LED	IR LED 24pcs
Shutter Speed	1/60(1/50) ~ 1/100,000 sec
Power Supply	12V DC or 24V AC Dual voltage - Option
Current Consumption	Max. 600mA
Fan, Heater	Yes
Operation Temp.	-10°C ~ 50°C
Preservation Temp.	-20°C ~ 60°C
Dimension	Ø150.5x95.6(H)mm
Weight	Approx. 800g

# SK-D300/MP13AI

## Features

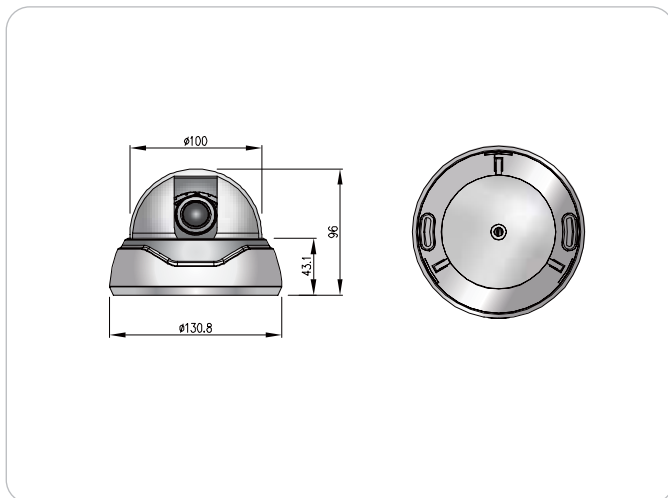
- 1/3" PIXIM DPS sensor
- Super WDR operation
- Advanced High Resolution (540TV-Line)
- 3-AXIS Bracket for 3D(Pan/Tilt/Roll) rotation
- True Day & Night function(Exchange of two filters)
- Preset mode(Indoor, Outdoor, Window, FLK) for common applications
- WDR zone adjustable
- Super Digital Noise Reduction(SDNR) operation
- Sense up(up to 32X)
- RS-485 interface(PELCO-D support)
- Extra Video connector for easy installation
- Option : Fan for extreme temperature operation



PIXIM WDR  
CAMERA

## Dimension

Unit : mm



## Specification

Model	SK-D300/MP13AI
Image Sensor	1/3" Pixim DPS sensor
Pixel	720(H) x 540(V) Pixel
Resolution	540TV-Line
Sync. Type	Internal
Scanning	Progressive scan
Video Output	1.0Vp-p(Sync. Negative) Termination 75Ω
Gamma	$\gamma=0.45$ typ.(Selectable)
Min. Illumination	0.1Lux(Sense up 32X)
S/N Ratio	50dB or More(AGC OFF)
OSD	YES(Multi-language)
Day & Night	True D&N(Auto/Color/BW)
Backlight	WDR/BLC/OFF
Privacy Zone	12 Zone
Mirror	H/V/BOTH
Communication	RS-485(Pelco-D)
Lens	Vari-focal auto iris lens
Shutter Speed	1/60(1/50) ~ 1/100,000 sec
Power Supply	Regulated 12V DC $\pm$ 10%
Current Consumption	Max. 150mA
Operation Temp.	-10°C ~ 50°C
Preservation Temp.	-20°C ~ 60°C
Dimension	Ø130.8x96(H)mm
Weight	Approx. 400g

# SK-V251D/MP13AI

## Features

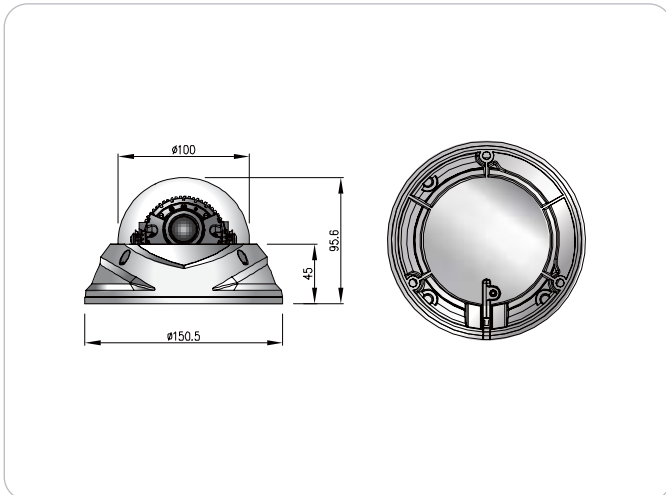
- Vandal-proof & Waterproof(IP67)
- 1/3" PIXIM DPS sensor
- Super WDR operation
- Advanced High Resolution(540TV-Line)
- 3-AXIS Bracket for 3D(Pan/Tilt/Roll) rotation
- True Day & Night function(Exchange of two filters)
- Preset mode(Indoor, Outdoor, Window, FLK) for common applications
- WDR zone adjustable
- Super Digital Noise Reduction(SDNR) operation
- Sense up(up to 32X)
- RS-485 interface(PELCO-D support)
- Extra Video connector for easy installation
- Multi language full OSD support
- Fan & Heater for extreme temperature operation
- Option : 12V DC or 24V AC Dual voltage



PIXIM WDR  
CAMERA

## Dimension

Unit : mm



## Specification

Model	SK-V251D/MP13AI
Image Sensor	1/3" PIXIM DPS Sensor
Pixel	720(H)x540(V) Pixel
Resolution	540TV-Line
Sync. Type	Internal
Scanning	Progressive scan
Video Output	1.0Vp-p(Sync. Negative) Termination 75Ω
Gamma	$\gamma=0.45$ typ.(Selectable)
Min. Illumination	0.1Lux(Sense up 32X)
S/N Ratio	50dB or More(AGC OFF)
OSD	YES(Multi-language)
Day & Night	True D&N(AUTO/COLOR/BW)
Backlight	WDR/BLC/OFF
Privacy Zone	12 Zone
Mirror	H/V/BOTH
Communication	RS-485(Pelco-D)
Lens	Vari-focal auto iris lens
Shutter Speed	1/60(1/50) ~ 1/100,000 sec
Power Supply	12V DC or 24V AC Dual voltage - Option
Current Consumption	Max. 150mA
Fan, Heater	Yes
Operation Temp.	-10°C ~ 50°C
Preservation Temp.	-20°C ~ 60°C
Dimension	Ø150.5x95.6(H)mm
Weight	Approx. 800g

# SK-2124/MP14

## Features

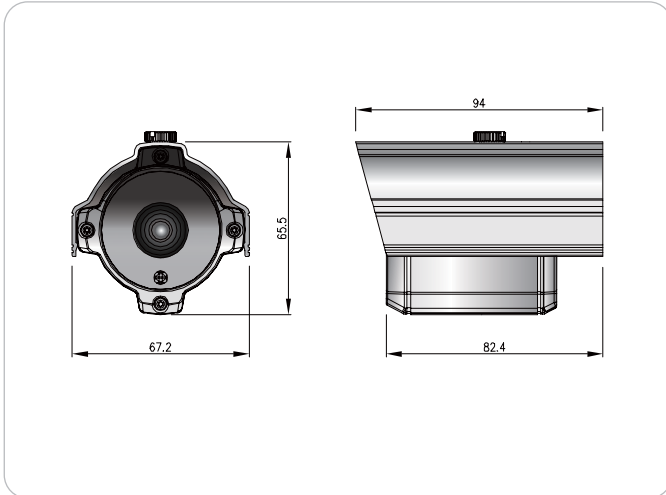
- 1/3" PIXIM DPS sensor
- Super WDR operation
- Advanced High Resolution(540TV-Line)
- Preset mode(Indoor, Outdoor) for common applications
- Waterproof(IP67)
- Strong aluminum case(for outdoor use)
- WDR zone adjustable
- Super Digital Noise Reduction(SDNR) operation
- Sense up(up to 32X)
- Multi language full OSD support



PIXIM WDR CAMERA

## Dimension

Unit : mm



## Specification

Model	SK-2124/MP14
Image Sensor	1/3" PIXIM DPS Sensor
Pixel	720(H)x540(V) Pixel
Resolution	540TV-Line
Sync. Type	Internal
Scanning	Progressive scan
Video Output	1.0Vp-p(Sync. Negative) Termination 75Ω
Gamma	$\gamma=0.45$ typ.(Selectable)
Min. Illumination	0.1Lux(Sense up 32X)
S/N Ratio	50dB or More(AGC OFF)
OSD	YES(Multi-language)
Day & Night	Electronic D&N
Backlight	WDR/BLC/OFF
Privacy Zone	12 Zone
Mirror	H/V/BOTH
Lens	Fixed focal lens
Shutter Speed	1/60(1/50) ~ 1/100,000sec
Power Supply	Regulated 12V DC $\pm$ 10%
Current Consumption	Max. 150mA
Operation Temp.	-10°C ~ 50°C
Preservation Temp.	-20°C ~ 60°C
Dimension	67.2(W) X 65.5(H) X 94(D)mm
Weight	Approx. 350g

# SK-D385/MP14

## Features

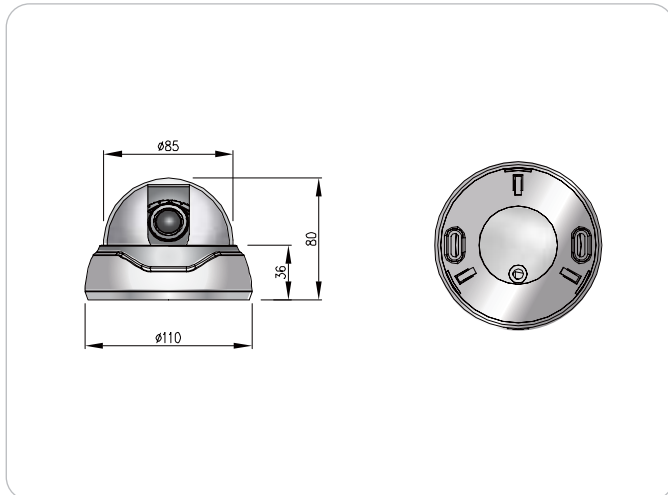
- 3-AXIS Bracket for 3D(Pan/Tilt/Roll) rotation with compact size(Ø85)
- 1/3" PIXIM DPS sensor
- Super WDR operation
- Advanced High Resolution(540TV-Line)
- Preset mode(Indoor, Outdoor) for common applications
- WDR zone adjustable
- Super Digital Noise Reduction(SDNR) operation
- Sense up(up to 32X)
- Option : Multi language full OSD support



PIXIM WDR  
CAMERA

## Dimension

Unit : mm



## Specification

Model	SK-D385/MP14
Image Sensor	1/3" PIXIM DPS Sensor
Pixel	720(H)x540(V) Pixel
Resolution	540TV-Line
Sync. Type	Internal
Scanning	Progressive scan
Video Output	1.0Vp-p(Sync. Negative) Termination 75Ω
Gamma	$\gamma=0.45$ typ.(Selectable)
Min. Illumination	0.1Lux(Sense up 32X)
S/N Ratio	50dB or More(AGC OFF)
OSD	YES(Multi-language)
Day & Night	Electronic D&N
Backlight	WDR/BLC/OFF
Privacy Zone	12 Zone
Mirror	H/V/BOTH
Lens	Fixed focal lens
Shutter Speed	1/60(1/50) ~ 1/100,000sec
Power Supply	Regulated 12V DC $\pm$ 10%
Current Consumption	Max. 150mA
Operation Temp.	-10°C ~ 50°C
Preservation Temp.	-20°C ~ 60°C
Dimension	Ø110x80(H)mm
Weight	Approx. 230g

## 3-AXIS INDOOR IR DOME CAMERA

# SK-D300IRD/M843AI

### Features

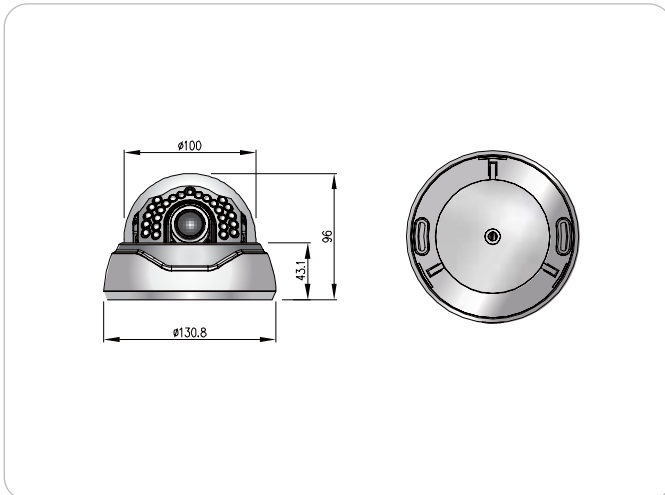
- 3-AXIS Bracket for 3D(Pan/Tilt/Roll) rotation
- Day & Night function(ICR)
- 1/3" COLOR SONY SUPER HAD CCD II
- Supreme Resolution(600TV-Line : Color, 680TV-Line : B/W)
- 25M range visible in total darkness with 24pcs of IR LEDs
- IR LED output level controllable via RS-485
- Extra Video connector for easy installation
- Multi language full OSD support
- Fan(Optional) for extreme temperature operation
- Option : 12V DC or 24V AC Dual voltage
- RS-485 interface(PELCO-D, PELCO-P protocol support)
- MULTI FUNCTION : Lens Shading Compensation, High Light Mask, Motion Detection, Privacy Zone, Defect Pixel Correction, Impact Detection



INDOOR IR DOME  
CAMERA

### Dimension

Unit : mm



### Specification

Model	SK-D300IRD/M843AI
Image Sensor	1/3" COLOR SONY SUPER HAD CCD II
Pixel	410K
Scanning	2:1 Interlace
Sync. Type	Internal
Resolution	Color : 600TV-Line, B/W : 680TV-Line
Video Output	1.0Vp-p(Sync. Negative) Termination 75Ω
S/N Ratio	48dB or More(AGC OFF)
Min. Illumination	0Lux(25M Range at LED High, Indoor) : LED ON 0.01Lux(F/1.2) : LED OFF
Gamma	$\gamma=0.45$ typ.(0.45, 0.6, 1.0 Adjustable)
Shutter Speed	1/60(1/50) ~ 1/100,000sec
Day & Night	ICR(AUTO/COLOR/BW)
OSD	YES
Motion Detection	ON/OFF(64 Zone)
Impact Detection	ON/OFF
Privacy Zone	ON/OFF(4 Zone)
White Balance	ATW/MANUAL/AWC(2,500°K ~ 9,500°K)
Backlight	BLC/HLC/OFF
AGC	LOW/MIDDLE/HIGH/OFF
Communication	RS-485(Pelco-D&P)
Lens	Vari-focal auto iris lens
LED	24pcs(LOW/MIDDLE/HIGH/OFF)
Power Supply	12V DC or 24V AC Dual voltage - Option
Current Consumption	Max. 600mA
Fan	Option
Operation Temp.	-10°C ~ 50°C
Preservation Temp.	-20°C ~ 60°C
Dimension	Ø130.8x96(H)mm
Weight	Approx. 400g

## 3-AXIS INDOOR IR DOME CAMERA

# SK-D300IRD/M544AI

### Features

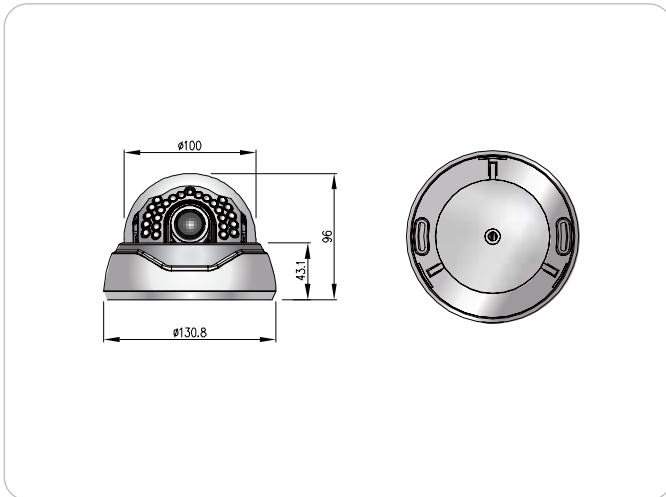
- 3-AXIS Bracket for 3D(Pan/Tilt/Roll) rotation
- Day & Night function(ICR)
- 1/3" COLOR SONY SUPER HAD CCD II
- Advanced High Resolution(560TV-Line : Color, 650 TV-Line : B/W)
- 25M range visible in total darkness with 24pcs of IR LEDs
- IR LED output level adjustable
- Extra Video connector for easy installation
- Multi-language full OSD support
- D-WDR, DNR(3D) Function
- Fan(Optional) & Heater for extreme temperature operation
- MULTI FUNCTION : Motion Detection, Privacy Mask, Sense up(256X), Freeze, Flip(H/V-REV), Dzoom
- Option : 12V DC or 24V AC Dual voltage



INDOOR IR DOME  
CAMERA

### Dimension

Unit : mm



### Specification

Model	SK-D300IRD/M544AI
Image Sensor	1/3" COLOR SONY SUPER HAD CCD II
Pixel	410K
Scanning	2:1 Interlace
Sync. Type	Internal/External(Line Lock) - Option
Resolution	Color : 560TV-Line(Min.), B/W : 650TV-Line(Min.)
S/N Ratio	52dB or More(AGC OFF)
Video Output	1.0Vp-p(Sync. Negative) Termination 75Ω
Min. Illumination	Color:0.15Lux/F1.2, 0.005Lux(Sense up) B/W:0.05Lux/F1.2, 0.0009Lux(Sense up) LED ON:0Lux(25M Range) - Indoor
OSD	YES
White Balance	ATW/AWB/INDOOR/OUTDOOR/MANUAL(1,800°K ~ 10,500°K)
Shutter Speed	1/60(1/50) ~ 1/100,000sec
Sense up	ON/OFF(selectable limit 2X ~ 256X)
Backlight	DWDR/BLC/HLC/OFF
AGC	LOW/MIDDLE/HIGH/OFF
DNR(3D)	OFF/ON
Motion Detection	ON/OFF(4 Zone)
Privacy Zone	ON/OFF(8 Zone)
Mirror	H/V/BOTH
Freeze	ON/OFF
Day & Night	ICR(COLOR/BW/AUTO)
LED Brightness	24pcs(output level adjustable)
Digital Zoom	ON(32X)/OFF
Blemish Compensation	256point(Manual, Auto)
Lens	Vari-focal auto iris lens
Power Supply	12V DC or 24V AC Dual voltage - Option
Current Consumption	Max. 600mA at(12V DC, 24V AC)
Fan, Heater	Option, Yes
Operating Temp.	-10°C ~ 50°C
Preservation Temp.	-20°C ~ 60°C
Dimension	Ø130.8x96(H)mm
Weight	Approx. 400g

## 3-AXIS INDOOR IR DOME CAMERA

# SK-D300IRD/M945AI, SK-D300IRD/M946AI

### Features

- 25M range visible in total darkness with 24pcs of IR LEDs
- IR LED output level adjustable
- Day & Night function(ICR)
- 3-Axis Bracket for 3D(Pan/Tilt/Roll) rotation
- Fan(Optional) & Heater for extreme temperature operation
- MULTI FUNCTION : High Light Mask, Motion Detection, Privacy Mask, Defect Pixel Correction, Freeze, Flip(H/V/Both), Digital Zoom, Multi-language OSD
- Option : 12V DC or 24V AC Dual voltage

#### [SK-D300IRD/M945AI]

- Advanced High Resolution(580TV-Line : Color, 700TV-Line : B/W)
- 1/3" COLOR SONY WDR CCD & SV4 DSP
- WDR, DIS(Digital Image Stabilizer), 3D-DNR, Sense up(256X)

#### [SK-D300IRD/M946AI]

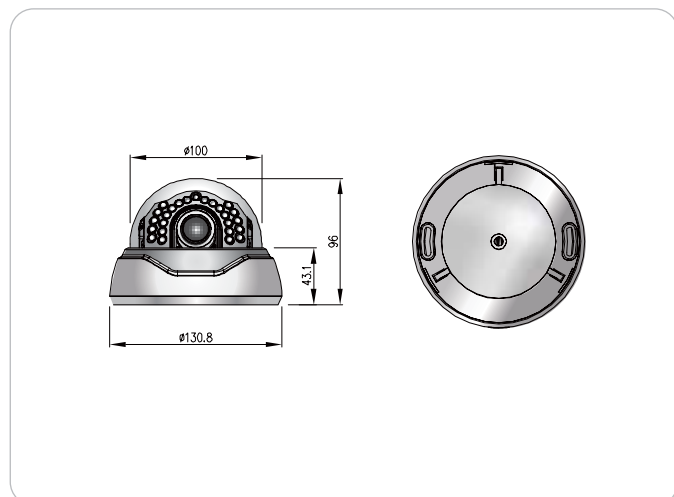
- Supreme Resolution(600TV-Line : Color, 700TV-Line : B/W)
- 1/3" COLOR SONY Super HAD CCD II & W5 DSP
- SDR(Digital WDR), DIS(Digital Image Stabilizer), 3D-DNR, Sense up(512X)



INDOOR IR DOME CAMERA

### Dimension

Unit : mm



### Specification

Model	SK-D300IRD/M945AI	SK-D300IRD/M946AI
Image Sensor / Pixel	1/3" COLOR SONY WDR CCD / 410K	1/3" COLOR SONY SUPER HAD CCD II / 410K
Scanning System	2:1 Interlace	
Sync. Type	Internal / External(Line-Lock) - Option	
Resolution	580 TV-LINE(COLOR), 700 TV-LINE(B/W)	600 TV-LINE(COLOR), 700 TV-LINE(B/W)
S/N Ratio	52dB or More(AGC OFF)	
Video Output	1.0 Vp-p(Sync. Negative) Termination 75Ω	
Min. Illumination	COLOR : 0.3 Lux(F/1.2), 0.001Lux(Sense up) B/W : 0.09 Lux(F/1.2), 0.0004Lux(Sense up) 0 Lux(25M Range at LED HIGH) : Indoor	COLOR : 0.15 Lux(F/1.2), 0.0005Lux(Sense up) B/W : 0.05 Lux(F/1.2), 0.0002Lux(Sense up) 0 Lux(25M Range at LED HIGH) : Indoor
Gamma	$\gamma=0.45$ typ.(0.45, 0.6, 1.0, user)	
OSD	Yes(Multi Language)	
White Balance	ATW(1,800°K~10,500°K) /MANUAL/AWC/INDOOR/OUTDOOR	ATW(1,700°K~11,000°K) /MANUAL/AWC/INDOOR/OUTDOOR
Shutter Speed	1/60(1/50)~1/120,000sec	
Sense up	Auto (Selectable limit 2X~256X)/Fixed/Off	Auto (Selectable limit 2X~512X)/Fixed/Off
Backlight	BLC/WDR/HLC/OFF	BLC/SSDR/HLC/OFF
AGC	LOW/HIGH/OFF	
DNR(3D)	ON(0~32)/OFF	
Motion Detection	ON/OFF(8 Zone)	
Privacy Zone	ON/OFF(8 Zone)	ON/OFF(12 Zone)
Mirror	H/V/BOTH	
Freeze	ON/OFF	
Day & Night	ICR(AUTO, COLOR, B/W)	
LED Brightness	24pcs(Output level adjustable)	
DIS	ON/OFF	
Digital Zoom	ON(10X)/OFF	ON(16X)/OFF
Blemish Compensation	256 Point(Even 128 point, Odd 128 point)	
Lens	Vari-focal auto iris lens	
Power Supply	12V DC or 24V AC(Dual Voltage) - Option	
Current Consumption	MAX. 600mA(at 12V DC, 24V AC) : LED ON	
Fan, Heater	Option, YES	
Operation Temp.	-10°C ~ 50°C	
Preservation Temp.	-20°C ~ 60°C	
Dimension	Ø130.8 X 96(H) mm	
Weight	Approx. 400g	



## 3-AXIS INDOOR IR DOME CAMERA

# SK-D300IRD/M340AI

### Features

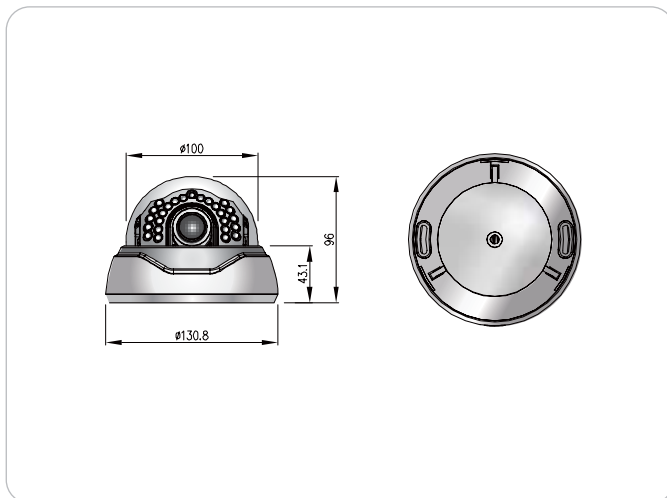
- 25M range visible in total darkness with 24pcs of IR LEDs
- Super Supreme Resolution(700TV-Line : Color, 780TV-Line : B/W)
- Advanced clear picture quality with 1/3" COLOR SONY Super HAD CCD II (960H) & EFFIO DSP
- IR LED output level controllable via RS-485 interface (PELCO-D, PELCO-P, SK-S)
- 3-Axis Bracket for 3D(Pan/Tilt/Roll) rotation
- Advanced WDR(without 'Mixture color noise'), 3D-DNR, Sense up(512X)
- Day & Night function(ICR)
- Multi-language Full OSD support
- MULTI FUNCTION : Face Detection, Motion Detection, Privacy Mask, Freeze, Flip(H/V/Both), Digital Zoom
- Fan(Optional) & Heater for extreme temperature operation
- OPTION : 12V DC or 24V AC Dual voltage



INDOOR IR DOME CAMERA

### Dimension

Unit : mm



### Specification

Model	SK-D300IRD/M340AI
Image Sensor / Pixel	1/3" COLOR SONY SUPER HAD CCD II / 0.5M
Scanning System	2:1 Interface
Sync. Type	Internal / External(Line-Lock) - Option
Resolution	700 TV-LINE(COLOR), 780 TV-LINE(B/W)
S/N Ratio	52dB or More(AGC OFF)
Video Output	1.0 Vp-p(Sync. Negative) Termination 75Ω
Min. Illumination	Color : 0.15 Lux(F/1.2), 0.0005Lux(Sense up) B/W : 0.05 Lux(F/1.2), 0.0002Lux(Sense up) 0 Lux(25M Range at LED HIGH) : Indoor
Gamma	$\gamma=0.45$ typ
OSD	Yes(Multi Language)
White Balance	ATW(1,800°K~10,500°K)/PUSH/MANUAL/AWC
Shutter Speed	1/60(1/50)~1/100,000sec
Sense up	Auto(Selectable limit 2X~512X)/Off
Backlight	BLC/WDR/OFF
AGC	LOW/MIDDLE/HIGH/OFF
DNR(3D)	0-33 Selectable
Face Detection	ON/OFF(4 Zone)
Motion Detection	ON/OFF(4 Zone)
Privacy Zone	ON/OFF(8 Zone)
Mirror	H/V/BOTH
Freeze	ON/OFF
Day & Night	ICR(AUTO, COLOR, B/W)
LED Brightness	24pcs(LOW, MIDDLE, HIGH, OFF)
Digital Zoom	ON(16X)/OFF
Communication	RS-485(Protocol : Pelco D, Pelco P, SK-S)
Lens	Vari-focal auto iris lens
Power Supply	12V DC or 24V AC(Dual Voltage) - Option
Current Consumption	MAX. 800mA(at 12V DC, 24V AC) : LED ON
Fan, Heater	Option, Yes
Operation Temp.	-10°C ~ 50°C
Preservation Temp.	-20°C ~ 60°C
Dimension	Ø130.8 X 96(H) mm
Weight	Approx. 400g

## 3-AXIS INDOOR IR DOME CAMERA

# SK-D300IR/M763AI, SK-D300IR/M410AI, SK-D300IR/M503AI

### Features

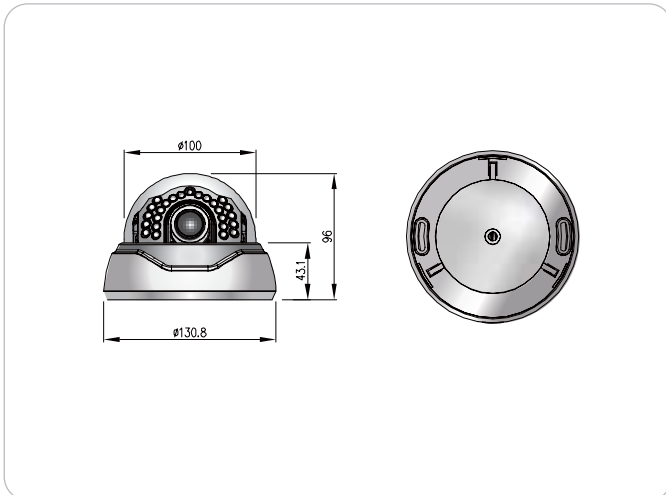
- Electronic Day & Night
- Advanced High Resolution
- 3-AXIS Bracket for 3D(Pan/Tilt/Roll) rotation
- 1/3" COLOR SONY SUPER HAD CCD II
- 25M range visible in total darkness with 24pcs of IR LEDs
- Extra Video connector for easy installation
- Functions are controlled by the push buttons with full OSD : SK-D300IR/M763AI
- Functions are controlled by the dip switch : SK-D300IR/M410AI, SK-D300IR/M503AI
- MULTI FUNCTION : Mirror, Motion Detection, Privacy Zone, Gamma Adjust : SK-D300IR/M763AI



INDOOR IR DOME CAMERA

### Dimension

Unit : mm



### Specification

Model	SK-D300IR/M763AI	SK-D300IR/M410AI	SK-D300IR/M503AI
Image Sensor	1/3" COLOR SONY SUPER HAD CCD II		
Pixel	410K		270K
Scanning	2:1 Interlace		
Sync. Type	Internal		
Resolution	Color : 530TV-Line B/W : 600TV-Line	550TV-Line	380TV-Line
Video Output	1.0Vp-p(Sync. Negative) Termination 75Ω		
S/N Ratio	48dB or More(AGC OFF)		
Min. Illumination	0Lux(25M Range) : LED ON - Indoor 0.1Lux(F/1.2) : LED OFF		0Lux(25M Range) : LED ON - Indoor 0.05Lux(F/1.2) : LED OFF
Gamma	γ=0.45 typ.		
Shutter Speed	1/60(1/50) ~ 1/100,000sec		
Day & Night	Electronic D&N (AUTO/COLOR/BW)	Electronic D&N(AUTO)	
White Balance	ATW/AWB/ Fixed/MANUAL	ATW	
BLC	ON/OFF (64step, 64Area)	ON/OFF	
AGC	ON/OFF (256step)	ON/OFF	
Lens	Vari-focal auto iris lens		
LED	IR LED 24pcs		
Power Supply	Regulated 12V DC ± 10%		
Current Consumption	Max. 380mA		
Operation Temp.	-10°C ~ 50°C		
Preservation Temp.	-20°C ~ 60°C		
Dimension	Ø130.8x96(H)mm		
Weight	Approx. 400g		

## COMPACT 3-AXIS INDOOR IR DOME CAMERA

# SK-D385IR/M863, SK-D385IR/M873

### Features

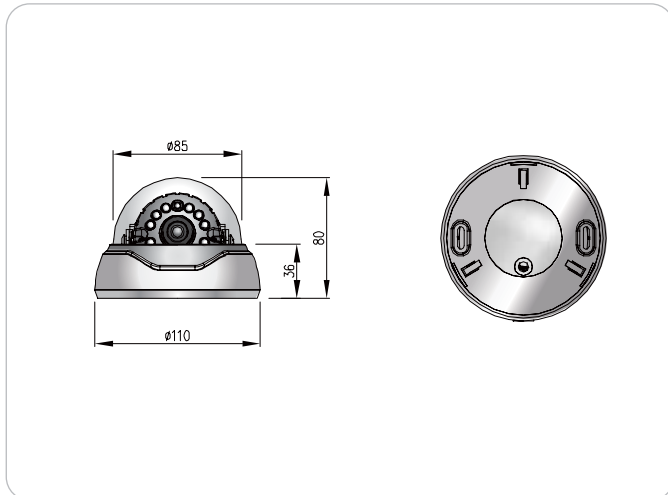
- 3-AXIS Bracket for 3D(Pan/Tilt/Roll) rotation with compact size(Ø85)
- Day & Night function(Electronic D&N)
- 1/3" COLOR SONY SUPER HAD CCD II
- Supreme Resolution(600TV-Line) : SK-D385IR/M863
- 15M range visible in total darkness with 14pcs of IR LEDs
- IR LED output level controllable via RS-485
- Extra video connector for easy installation
- Multi language full OSD support
- RS-485 interface(PELCO-D, PELCO-P protocol support)
- MULTI FUNCTION : Lens Shading Compensation, High Light Mask, Motion Detection, Privacy Zone, Defect Pixel Correction, Impact Detection



INDOOR IR DOME  
CAMERA

### Dimension

Unit : mm



### Specification

Model	SK-D385IR/M863	SK-D385IRM873
Image Sensor	1/3" COLOR SONY SUPER HAD CCD II	
Pixel	410K	270K
Scanning	2:1 Interlace	
Sync. Type	Internal	
Resolution	600TV-Line	380TV-Line
Video Output	1.0Vp-p(Sync. Negative) Termination 75Ω	
S/N Ratio	48dB or More(AGC OFF)	
Min. Illumination(Indoor)	0Lux(15M Range) : LED ON 0.1Lux(F/1.2) : LED OFF	0Lux(15M Range) : LED ON 0.05Lux(F/1.2) : LED OFF
Gamma	$\gamma=0.45$ typ.(0.45, 0.6, 1.0 Adjustable)	
Shutter Speed	1/60(1/50) ~ 1/100,000sec	
OSD	YES	
Motion Detection	ON/OFF(64 Zone)	
Impact Detection	ON/OFF	
Privacy Zone	ON/OFF(4 Zone)	
White Balance	ATW/MANUAL/AWC(2,500°K ~ 9,500°K)	
Backlight	BLC/HLC/OFF	
AGC	LOW/MIDDLE/HIGH/OFF	
Communication(Optional)	RS-485(Pelco-D, Pelco-P)	
Lens	Fixed focal lens	
LED	14pcs(LOW/MIDDLE/HIGH/OFF)	
Power Supply	Regulated 12V DC $\pm$ 10%	
Current Consumption	Max. 250mA	
Operation Temp.	-10°C ~ 50°C	
Preservation Temp.	-20°C ~ 60°C	
Dimension	Ø110x80(H)mm	
Weight	Approx. 230g	

## WATERPROOF 3-AXIS IR DOME CAMERA

# SK-D400IRD/M843AI

### Features

- Waterproof(IP67)
- 3-AXIS Bracket for 3D(Pan/Tilt/Roll) rotation
- Day & Night function(ICR)
- 1/3" COLOR SONY SUPER HAD CCD II
- Supreme Resolution(600TV-Line : Color, 680TV-Line : B/W)
- 25M range visible in total darkness with 24pcs of IR LEDs
- IR LED output level controllable via RS-485
- Extra Video connector for easy installation
- Multi language full OSD support
- Fan(Optional) & Heater for extreme temperature operation
- Option : 12V DC or 24V AC Dual voltage
- RS-485 interface(PELCO-D, PELCO-P protocol support)
- MULTI FUNCTION : Lens Shading Compensation, High Light Mask, Motion Detection, Privacy Zone, Defect Pixel Correction, Impact Detection
- NO IR LED version available(SK-D400/M843AI)

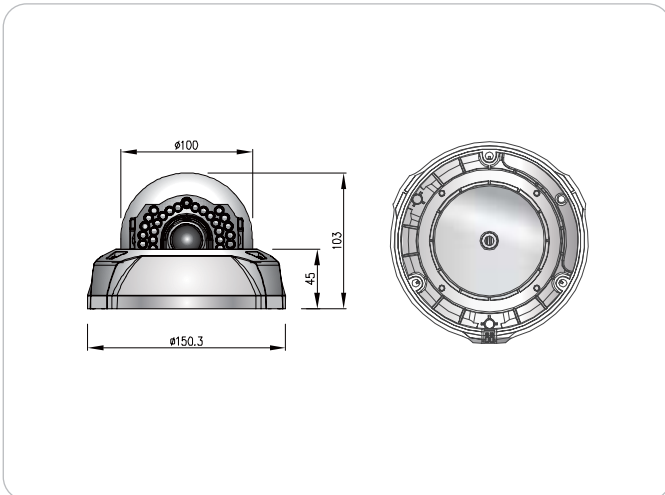
NEW



OUTDOOR IR DOME CAMERA

### Dimension

Unit : mm



### Specification

Model	SK-D400IRD/M843AI
Image Sensor	1/3" COLOR SONY SUPER HAD CCD II
Pixel	410K
Scanning	2:1 Interlace
Sync. Type	Internal
Resolution	Color : 600TV-Line, B/W : 680TV-Line
Video Output	1.0Vp-p(Sync. Negative) Termination 75Ω
S/N Ratio	48dB or More(AGC OFF)
Min. Illumination	0Lux(25M Range at LED High, Indoor) : LED ON 0.01Lux(F/1.2) : LED OFF
Gamma	$\gamma=0.45$ typ.(0.45, 0.6, 1.0 Adjustable)
Shutter Speed	1/60(1/50) ~ 1/100,000sec
Day & Night	ICR(AUTO/COLOR/BW)
OSD	YES
Motion Detection	ON/OFF(64 Zone)
Impact Detection	ON/OFF
Privacy Zone	ON/OFF(4 Zone)
White Balance	ATW/MANUAL/AWC(2,500°K ~ 9,500°K)
Backlight	BLC/HLC/OFF
AGC	LOW/MIDDLE/HIGH/OFF
Communication	RS-485(Pelco D&P)
Lens	Vari-focal auto iris lens
LED	24pcs(LOW/MIDDLE/HIGH/OFF)
Power Supply	12V DC or 24V AC Dual voltage - Option
Current Consumption	Max. 600mA
Fan, Heater	Option, Yes
Operation Temp.	-10°C ~ 50°C
Preservation Temp.	-20°C ~ 60°C
Dimension	Ø150.3x103(H)mm
Weight	Approx. 500g

## WATERPROOF 3-AXIS IR DOME CAMERA

# SK-D400IRD/M544AI

### Features

- Waterproof(IP67)
- 3-AXIS Bracket for 3D(Pan/Tilt/Roll) rotation
- Day & Night function(ICR)
- IR LED output level adjustable
- 1/3" COLOR SONY SUPER HAD CCD II
- Advanced High Resolution(560TV-Line : Color, 650TV-Line : B/W)
- 25M range visible in total darkness with 24pcs of IR LEDs
- Extra Video connector for easy installation
- Multi-language full OSD support
- D-WDR, DNR(3D) Function
- Fan(Optional) & Heater for extreme temperature operation
- MULTI FUNCTION : Motion Detection, Privacy Mask, Sense up(256X), Freeze, Flip(H/V-REV), Dzoom
- Option : 12V DC or 24V AC Dual voltage
- NO IR LED version available(SK-D400/M544AI)

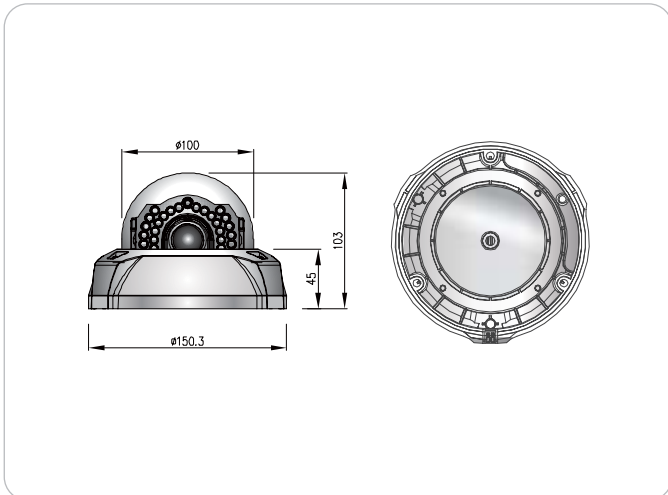
NEW



OUTDOOR IR DOME CAMERA

### Dimension

Unit : mm



### Specification

Model	SK-D400IRD/M544AI
Image Sensor	1/3" COLOR SONY SUPER HAD CCD II
Pixel	410K
Scanning	2:1 Interlace
Sync. Type	Internal/External(Line Lock) - Option
Resolution	Color : 560TV-Line(Min.), B/W : 650TV-Line(Min.)
S/N Ratio	52dB or More(AGC OFF)
Video Output	1.0Vp-p(Sync. Negative) Termination 75Ω
Min. Illumination	Color:0.15Lux/F1.2, 0.005Lux(Sense up) B/W:0.05Lux/F1.2, 0.0009Lux(Sense up) LED ON:0Lux(25M Range) - Indoor
OSD	YES
White Balance	ATW/AWB/INDOOR/OUTDOOR/MANUAL(1,800°K~10,500°K)
Shutter Speed	1/60(1/50) ~ 1/100,000sec
Sense up	ON/OFF(selectable limit 2X ~ 256X)
Backlight	DWDR/BLC/HLC/OFF
AGC	LOW/MIDDLE/HIGH/OFF
DNR(3D)	OFF/ON
Motion Detection	ON/OFF(4 Zone)
Privacy Zone	ON/OFF(8 Zone)
Mirror	H/V/BOTH
Freeze	ON/OFF
Day & Night	ICR(COLOR/BW/AUTO)
Digital Zoom	ON(32X)/OFF
Blemish Compensation	256point(Manual, Auto)
Lens	Vari-focal auto iris lens
LED	24pcs(Output level adjustable)
Power Supply	12V DC or 24V AC Dual voltage - Option
Current Consumption	Max. 600mA at(12V DC, 24V AC)
Fan, Heater	Option, Yes
Operating Temp.	-10°C ~ 50°C
Preservation Temp.	-20°C ~ 60°C
Dimension	Ø150.3x103(H)mm
Weight	Approx. 500g

## WATERPROOF 3-AXIS IR DOME CAMERA

# SK-D400IRD/M945AI, SK-D400IRD/M946AI



### Features

- Waterproof(IP67)
- 25M range visible in total darkness with 24pcs of IR LEDs
- IR LED output level adjustable
- Day & Night function(ICR)
- 3-Axis Bracket for 3D(Pan/Tilt/Roll) rotation
- Fan(Optional) & Heater for extreme temperature operation
- MULTI FUNCTION : High Light Mask, Motion Detection, Privacy Mask, Defect Pixel Correction, Freeze, Flip(H/V/Both), Digital Zoom, Multi-language OSD
- Option : 12V DC or 24V AC Dual voltage

#### [SK-D400IRD/M945AI]

- Advanced High Resolution(580TV-Line : Color, 700TV-Line : B/W)
- 1/3" COLOR SONY WDR CCD & SV4 DSP
- WDR, DIS(Digital Image Stabilizer), 3D-DNR, Sense up(256X)

#### [SK-D400IRD/M946AI]

- Supreme Resolution(600TV-Line : Color, 700TV-Line : B/W)
- 1/3" COLOR SONY Super HAD CCD II & W5 DSP
- SSSDR(Digital WDR), DIS(Digital Image Stabilizer), 3D-DNR, Sense up(512X)

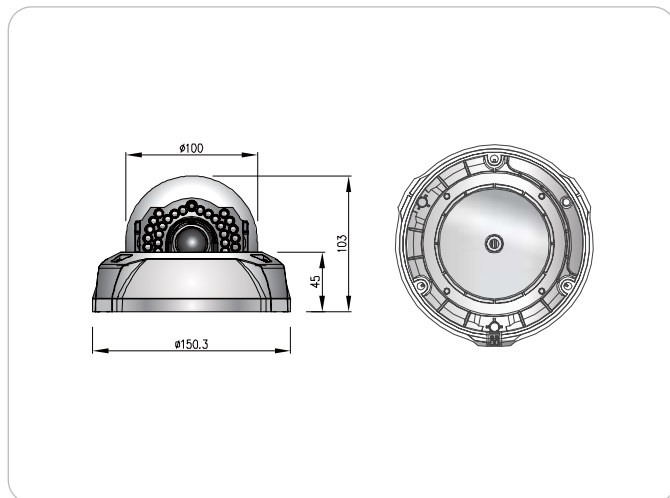
NO IR LED version available(SK-D400/M945AI, SK-D400/M946AI)



OUTDOOR IR DOME CAMERA

### Dimension

Unit : mm



### Specification

Model	SK-D400IRD/M945AI	SK-D400IRD/M946AI
Image Sensor / Pixel	1/3" COLOR SONY WDR CCD / 410K	1/3" COLOR SONY SUPER HAD CCD II / 410K
Scanning System	2:1 Interlace	
Sync. Type	Internal / External(Line-Lock) - Option	
Resolution	580 TV-LINE(COLOR), 700 TV-LINE(B/W)	600 TV-LINE(COLOR), 700 TV-LINE(B/W)
S/N Ratio	52dB or More(AGC OFF)	
Video Output	1.0 Vp-p(Sync. Negative) Termination 75Ω	
Min. Illumination	COLOR : 0.3 Lux(F1.2), 0.001Lux(Sense up) B/W : 0.09 Lux(F1.2), 0.0004Lux(Sense up) 0 Lux(25M Range at LED HIGH) : Indoor	COLOR : 0.15 Lux(F1.2), 0.0005Lux(Sense up) B/W : 0.05 Lux(F1.2), 0.0002Lux(Sense up) 0 Lux(25M Range at LED HIGH) : Indoor
Gamma	$\gamma=0.45$ typ.(0.45, 0.6, 1.0, user)	
OSD	Yes(Multi Language)	
White Balance	ATW(1,800°K~10,500°K) /MANUAL/AWC/INDOOR/OUTDOOR	ATW(1,700°K~11,000°K) /MANUAL/AWC/INDOOR/OUTDOOR
Shutter Speed	1/60(1/50)~1/120,000sec	
Sense up	Auto (Selectable limit 2X~256X)/Fixed/Off	Auto (Selectable limit 2X~512X)/Fixed/Off
Backlight	BLC/WDR/HLC/OFF	BLC/SSDR/HLC/OFF
AGC	LOW/HIGH/OFF	
DNR(3D)	ON(0~32)/OFF	
Motion Detection	ON/OFF(8 Zone)	
Privacy Zone	ON/OFF(8 Zone)	ON/OFF(12 Zone)
Mirror	H/V/BOTH	
Freeze	ON/OFF	
Day & Night	ICR(AUTO, COLOR, B/W)	
LED Brightness	24pcs(Output level adjustable)	
DIS	ON/OFF	
Digital Zoom	ON(10X)/OFF	ON(16X)/OFF
Blemish Compensation	256 Point(Even 128 point, Odd 128 point)	
Lens	Vari-focal auto iris lens	
Power Supply	12V DC or 24V AC(Dual Voltage) - Option	
Current Consumption	MAX. 600mA(at 12V DC, 24V AC) : LED ON	
Fan, Heater	Option, Yes	
Operation/Preservation Temp.	-10°C ~ 50°C / -20°C ~ 60°C	
Dimension	Ø150.3x103(H)mm	
Weight	Approx. 500g	

## WATERPROOF 3-AXIS IR DOME CAMERA

# SK-D400IRD/M340AI

### Features

- Waterproof(IP67)
- 25M range visible in total darkness with 24pcs of IR LEDs
- Super Supreme Resolution(700TV-Line : Color, 780TV-Line : B/W)
- Advanced clear picture quality with 1/3" COLOR SONY Super HAD CCD II (960H) & EFFIO DSP
- IR LED output level controllable via RS-485 interface (PELCO-D, PELCO-P, SK-S)
- 3-Axis Bracket for 3D(Pan/Tilt/Roll) rotation
- Advanced WDR(without 'Mixture color noise'), 3D-DNR, Sense up(512X)
- Day & Night function(ICR)
- Multi-language Full OSD support
- MULTI FUNCTION : Face Detection, Motion Detection, Privacy Mask, Freeze, Flip(H/V/Both), Digital Zoom
- Fan(Optional) & Heater for extreme temperature operation
- OPTION : 12V DC or 24V AC Dual voltage
- NO IR LED version available(SK-D400/M340AI)

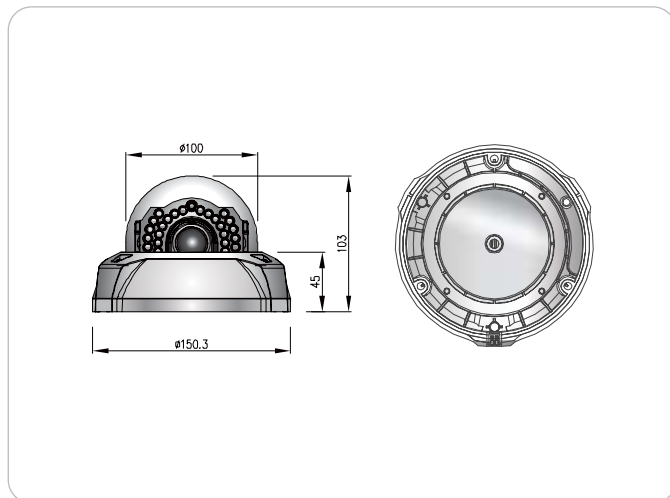
NEW



OUTDOOR IR DOME CAMERA

### Dimension

Unit : mm



### Specification

Model	SK-D400IRD/M340AI
Image Sensor / Pixel	1/3" COLOR SONY SUPER HAD CCD II / 0.5M
Scanning System	2:1 Interlace
Sync. Type	Internal / External(Line-Lock) - Option
Resolution	700 TV-LINE(COLOR), 780 TV-LINE(B/W)
S/N Ratio	52dB or More(AGC OFF)
Video Output	1.0 Vp-p(Sync. Negative) Termination 75Ω
Min. Illumination	Color : 0.15 Lux(F/1.2), 0.0005Lux(Sense up) B/W : 0.05 Lux(F/1.2), 0.0002Lux(Sense up) 0 Lux(25M Range at LED HIGH) : Indoor
Gamma	$\gamma=0.45$ typ
OSD	Yes(Multi Language)
White Balance	ATW(1,800°K~10,500°K)/PUSH/MANUAL/AWC
Shutter Speed	1/60(1/50)~1/100,000sec
Sense up	Auto(Selectable limit 2X~512X)/Off
Backlight	BLC/WDR/OFF
AGC	LOW/MIDDLE/HIGH/OFF
DNR(3D)	0-33 Selectable
Face Detection	ON/OFF(4 Zone)
Motion Detection	ON/OFF(4 Zone)
Privacy Zone	ON/OFF(8 Zone)
Mirror	H/V/BOTH
Freeze	ON/OFF
Day & Night	ICR(AUTO, COLOR, B/W)
LED Brightness	24pcs(LOW, MIDDLE, HIGH, OFF)
Digital Zoom	ON(16X)/OFF
Communication	RS-485(Protocol : Pelco D, Pelco P, SK-S)
Lens	Vari-focal auto iris lens
Power Supply	12V DC or 24V AC(Dual Voltage) - Option
Current Consumption	MAX. 800mA(at 12V DC, 24V AC) : LED ON
Fan, Heater	Option, Yes
Operation Temp.	-10°C ~ 50°C
Preservation Temp.	-20°C ~ 60°C
Dimension	Ø150.3x103(H)mm
Weight	Approx. 500g

## WATERPROOF 3-AXIS IR DOME CAMERA

# SK-D400IR/M763AI, SK-D400IR/M410AI, SK-D400IR/M503AI

### Features

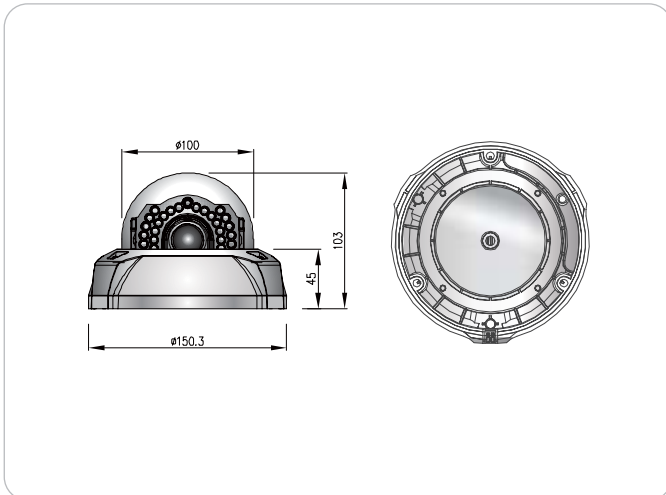
- Waterproof(IP67)
- Electronic Day & Night
- Advanced High Resolution
- 3-AXIS Bracket for 3D(Pan/Tilt/Roll) rotation
- 1/3" COLOR SONY SUPER HAD CCD II
- 25M range visible in total darkness with 24pcs of IR LEDs
- Extra Video connector for easy installation
- Functions are controlled by the push buttons with full OSD : SK-D400IR/M763AI
- Functions are controlled by the dip switch : SK-D400IR/M410AI, SK-D400IR/M503AI
- MULTI FUNCTION : Mirror, Motion Detection, Privacy Zone, Gamma Adjust : SK-D400IR/M763AI
- NO IR LED version available(SK-D400/M763AI, SK-D400/M410AI, SK-D400/503AI)



OUTDOOR IR DOME CAMERA

### Dimension

Unit : mm



### Specification

Model	SK-D400IR/M763AI	SK-D400IR/M410AI	SK-D400IR/M503AI
CCD Type	1/3" COLOR SONY SUPER HAD CCD II		
Pixel	410K		270K
Scanning	2:1 Interlace		
Sync. Type	Internal		
Resolution	Color : 530TV-Line B/W : 600TV-Line	550TV-Line	380TV-Line
Video Output	1.0Vp-p(Sync. Negative) Termination 75Ω		
S/N Ratio	48dB or More(AGC OFF)		
Min. Illumination	0Lux(25M Range) : LED ON - Indoor 0.1Lux(F/1.2) : LED OFF		0Lux(25M Range) : LED ON - Indoor 0.05Lux(F/1.2) : LED OFF
Gamma	γ=0.45 typ.		
Shutter Speed	1/60(1/50) ~ 1/100,000sec		
Day & Night	Electronic D&N (AUTO/COLOR/BW)	Electronic D&N(AUTO)	
White Balance	ATW/AWB/ Fixed/MANUAL	ATW	
BLC	ON/OFF (64step, 64area)	ON/OFF	
AGC	ON/OFF (256step)	ON/OFF	
Lens	Vari-focal auto iris lens		
LED	IR LED 24pcs		
Power Supply	Regulated 12V DC ± 10%		
Current Consumption	Max. 380mA		
Operation Temp.	-10°C ~ 50°C		
Preservation Temp.	-20°C ~ 60°C		
Dimension	Ø150.3x103(H)mm		
Weight	Approx. 500g		



## 3-AXIS VANDAL-PROOF IR DOME CAMERA

# SK-V251IRD/M843AI

### Features

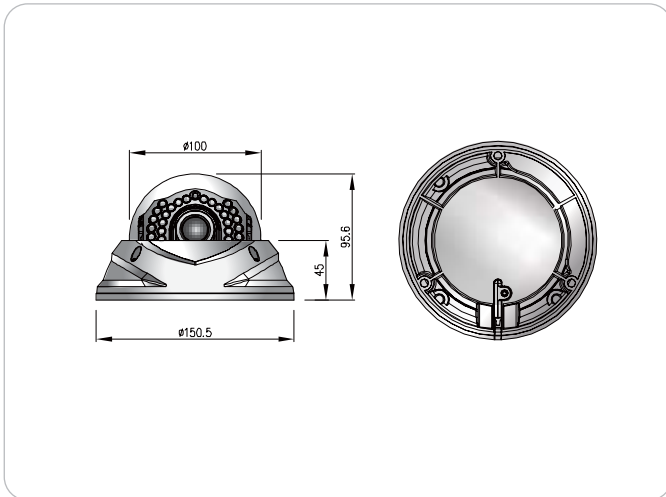
- Vandal-proof & Waterproof(IP67)
- 3-AXIS Bracket for 3D(Pan/Tilt/Roll) rotation
- Day & Night function(ICR)
- 1/3" COLOR SONY SUPER HAD CCD II
- Supreme Resolution(600TV-Line : Color, 680TV-Line : B/W)
- 25M range visible in total darkness with 24pcs of IR LEDs
- IR LED output level controllable via RS-485
- Extra video connector for easy installation
- Multi language full OSD support
- Fan(Optional) & Heater for extreme temperature operation
- RS-485 interface(PELCO-D, PELCO-P protocol support)
- MULTI FUNCTION : Lens Shading Compensation, High Light Mask, Motion Detection, Privacy Zone, Defect Pixel Correction, Impact Detection
- Option : 12V DC or 24V AC Dual voltage



VANDAL-PROOF IR DOME  
CAMERA

### Dimension

Unit : mm



### Specification

Model	SK-V251IRD/M843AI
Image Sensor	1/3" COLOR SONY SUPER HAD CCD II
Pixel	410K
Scanning	2:1 Interlace
Sync. Type	Internal
Resolution	Color : 600TV-Line, B/W : 680TV-Line
Video Output	1.0Vp-p(Sync. Negative) Termination 75Ω
S/N Ratio	48dB or More(AGC OFF)
Min. Illumination	0Lux(25M Range at LED High, Indoor) : LED ON 0.01Lux(F/1.2) : LED OFF
Gamma	$\gamma=0.45$ typ.(0.45, 0.6, 1.0 Adjustable)
Shutter Speed	1/60(1/50) ~ 1/100,000sec
Day & Night	ICR(AUTO/COLOR/BW)
OSD	YES
Motion Detection	ON/OFF(64 Zone)
Impact Detection	ON/OFF
Privacy Zone	ON/OFF(4 Zone)
White Balance	ATW/MANUAL/AWC(2,500°K ~ 9,500°K)
Backlight	BLC/HLC/OFF
AGC	LOW/MIDDLE/HIGH/OFF
Communication	RS-485(Pelco D&P)
Lens	Vari-focal auto iris lens
LED	24pcs(LOW/MIDDLE/HIGH/OFF)
Power Supply	12V DC or 24V AC Dual voltage - Option
Current Consumption	Max. 800mA
Fan, Heater	Option, Yes
Operation Temp.	-10°C ~ 50°C
Preservation Temp.	-20°C ~ 60°C
Dimension	Ø150.5x95.6(H)mm
Weight	Approx. 800g

## 3-AXIS VANDAL-PROOF IR DOME CAMERA

# SK-V251IRD/M544AI

### Features

- Vandal-proof & Waterproof(IP67)
- IR LED output level adjustable
- 3-AXIS Bracket for 3D(Pan/Tilt/Roll) rotation
- Day & Night function(ICR)
- 1/3" COLOR SONY SUPER HAD CCD II
- Advanced High Resolution(560TV-Line : Color, 650TV-Line : B/W)
- 25M range visible in total darkness with 24pcs of IR LEDs
- Extra video connector for easy installation
- Multi-language full OSD support
- D-WDR, DNR(3D) Function
- Fan(Optional) & Heater for extreme temperature operation
- Option : RS-485 interface(PELCO-D support)
- MULTI FUNCTION : Motion Detection, Privacy Mask, Sense up(256X), Freeze, Flip(H/V-REV), Dzoom
- Option : 12V DC or 24V AC Dual voltage

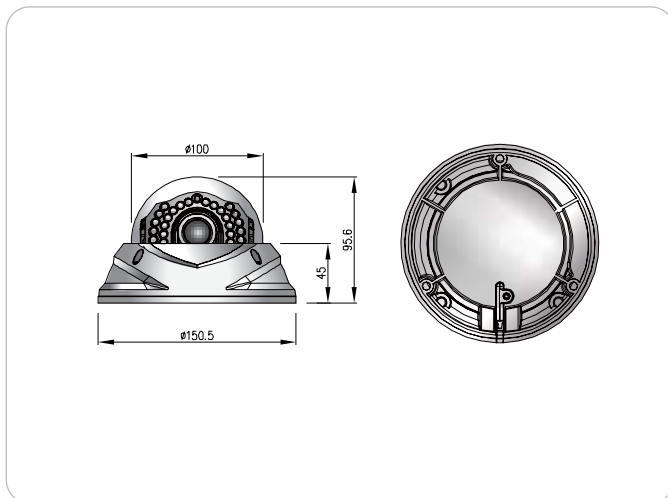
NEW



VANDAL-PROOF IR DOME CAMERA

### Dimension

Unit : mm



### Specification

Model	SK-V251IRD/M544AI
Image Sensor	1/3" COLOR SONY SUPER HAD CCD II
Pixel	410K
Scanning	2:1 Interlace
Sync. Type	Internal/External(Line Lock) - Option
Resolution	Color : 560TV-Line(Min.), B/W : 650TV-Line(Min.)
S/N Ratio	52dB or More(AGC OFF)
Video Output	1.0Vp-p(Sync. Negative) Termination75Ω
Min. Illumination	Color : 0.15Lux/F1.2, 0.005Lux(Sense up) B/W : 0.05Lux/F1.2, 0.0009Lux(Sense up) LED ON : 0Lux(25M Range) - Indoor
OSD	YES
White Balance	ATW/AWB/INDOOR/OUTDOOR/MANUAL(1,800°K ~ 10,500°K)
Shutter Speed	1/60(1/50) ~ 1/100,000sec
Sense up	ON/OFF(selectable limit 2X ~ 256X)
Backlight	DWDR/BLC/HLC/OFF
AGC	LOW/MIDDLE/HIGH/OFF
DNR(3D)	ON/OFF
Motion Detection	ON/OFF(4 Zone)
Privacy Zone	ON/OFF(8 Zone)
Mirror	H/V/BOTH
Freeze	ON/OFF
Day & Night	ICR(COLOR/BW/AUTO)
Digital Zoom	ON(32X)/OFF
Blemish Compensation	256point(Manual, Auto)
Communication(Optional)	RS-485(Protocol : Pelco-D)
Lens	Vari-focal auto iris lens
LED	24pcs(output level adjustable)
Power Supply	12V DC or 24V AC Dual voltage - Option
Current Consumption	Max. 600mA at(12V DC, 24V AC)
Fan, Heater	Option, Yes
Operating Temp.	-10°C ~ 50°C
Preservation Temp.	-20°C ~ 60°C
Dimension	Ø150.5x95.6(H)mm
Weight	Approx. 800g

## 3-AXIS VANDAL-PROOF IR DOME CAMERA

# SK-V251IRD/M945AI, SK-V251IRD/M946AI

### Features

- 25M range visible in total darkness with 24pcs of IR LEDs
- Vandal-proof & Waterproof(IP67)
- IR LED output level adjustable
- Day & Night function(ICR), RS485 Interface(Optional)
- 3-Axis Bracket for 3D(Pan/Tilt/Roll) rotation
- Fan(Optional) & Heater for extreme temperature operation
- MULTI FUNCTION : High Light Mask, Motion Detection, Privacy Mask, Defect Pixel Correction, Freeze, Flip(H/V/Both), Digital Zoom, Multi-language OSD
- Option : 12V DC or 24V AC Dual voltage

#### [SK-V251IRD/M945AI]

- Advanced High Resolution(580TV-Line : Color, 700TV-Line : B/W)
- 1/3" COLOR SONY WDR CCD & SV4 DSP
- WDR, DIS(Digital Image Stabilizer), 3D-DNR, Sense up(256X)

#### [SK-V251IRD/M946AI]

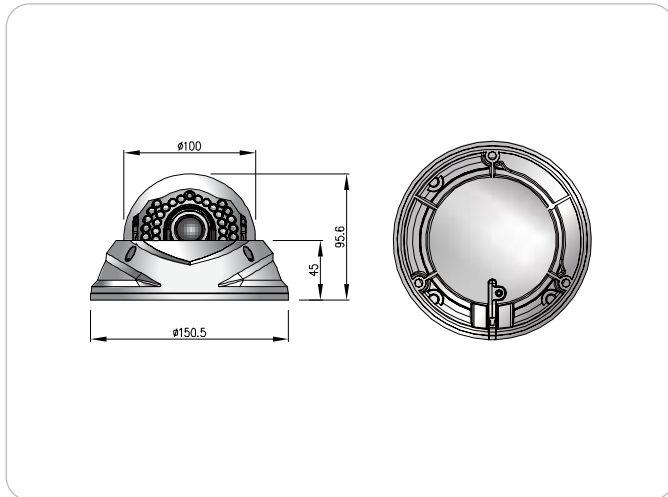
- Supreme Resolution(600TV-Line : Color, 700TV-Line : B/W)
- 1/3" COLOR SONY Super HAD CCD II & W5 DSP
- SDR(Digital WDR), DIS(Digital Image Stabilizer), 3D-DNR, Sense up(512X)



VANDAL-PROOF IR DOME CAMERA

### Dimension

Unit : mm



### Specification

Model	SK-V251IRD/M945AI	SK-V251IRD/M946AI
Image Sensor / Pixel	1/3" COLOR SONY WDR CCD / 410K	1/3" COLOR SONY SUPER HAD CCD II / 410K
Scanning System	2:1 Interlace	
Sync. Type	Internal / External(Line-Lock) - Option	
Resolution	580 TV-LINE(COLOR), 700 TV-LINE(B/W)	600 TV-LINE(COLOR), 700 TV-LINE(B/W)
S/N Ratio	52dB or More(AGC OFF)	
Video Output	1.0 Vp-p(Sync. Negative) Termination 75Ω	
Min. Illumination	COLOR : 0.3 Lux(F/1.2), 0.001Lux(Sense up) B/W : 0.09 Lux(F/1.2), 0.0004Lux(Sense up) 0 Lux(25M Range at LED HIGH) : Indoor	COLOR : 0.15 Lux(F/1.2), 0.0005Lux(Sense up) B/W : 0.05 Lux(F/1.2), 0.0002Lux(Sense up) 0 Lux(25M Range at LED HIGH) : Indoor
Gamma	$\gamma=0.45$ typ.(0.45, 0.6, 1.0, user)	
OSD	Yes(Multi Language)	
White Balance	ATW(1,800°K~10,500°K) /MANUAL/AWC/INDOOR/OUTDOOR	ATW(1,700°K~11,000°K) /MANUAL/AWC/INDOOR/OUTDOOR
Shutter Speed	1/60(1/50)~1/120,000sec	
Sense up	Auto (Selectable limit 2X~256X)/Fixed/Off	Auto (Selectable limit 2X~512X)/Fixed/Off
Backlight	BLC/WDR/HLC/OFF	BLC/SSDR/HLC/OFF
AGC	LOW/HIGH/OFF	
DNR(3D)	ON(0~32)/OFF	
Motion Detection	ON/OFF(8 Zone)	
Privacy Zone	ON/OFF(8 Zone)	ON/OFF(12 Zone)
Mirror	H/V/BOTH	
Freeze	ON/OFF	
Day & Night	ICR(AUTO, COLOR, B/W)	
LED Brightness	24pcs(Output level adjustable)	
DIS	ON/OFF	
Digital Zoom	ON(10X)/OFF	ON(16X)/OFF
Blemish Compensation	256 Point(Even 128 point, Odd 128 point)	
Communication (Option)	RS-485 (Protocol : Pelco D)	RS-485 (Protocol : Pelco D&P, STW(SPD), SEC, BOSCH, HONEYWELL, VICON, PANA.)
Lens	Vari-focal auto iris lens	
Power Supply	12V DC or 24V AC(Dual Voltage) - Option	
Current Consumption	MAX. 600mA(at 12V DC, 24V AC) : LED ON	
Fan, Heater	Option, Yes	
Operation Temp.	-10°C ~ 50°C	
Preservation Temp.	-20°C ~ 60°C	
Dimension	Ø150.5 X 95.6(H) mm	
Weight	Approx. 800g	

## 3-AXIS VANDAL-PROOF IR DOME CAMERA

# SK-V251IRD/M340AI

### Features

- 25M range visible in total darkness with 24pcs of IR LEDs
- Super Supreme Resolution(700TV-Line : Color, 780TV-Line : B/W)
- Advanced clear picture quality with 1/3" (COLOR SONY Super HAD CCD II (960H) & EFFIO DSP
- IR LED output level controllable via RS-485 interface (PELCO-D, PELCO-P, SK-S)
- Vandal-proof & Waterproof(IP67)
- 3-Axis Bracket for 3D(Pan/Tilt/Roll) rotation
- Advanced WDR(without 'Mixture color noise'), 3D-DNR, Sense up(512X)
- Day & Night function(ICR)
- Multi-language Full OSD support
- MULTI FUNCTION : Face Detection, Motion Detection, Privacy Mask, Freeze, Flip(H/V/Both), Digital Zoom
- Fan(Optional) & Heater for extreme temperature operation
- OPTION : 12V DC or 24V AC Dual voltage

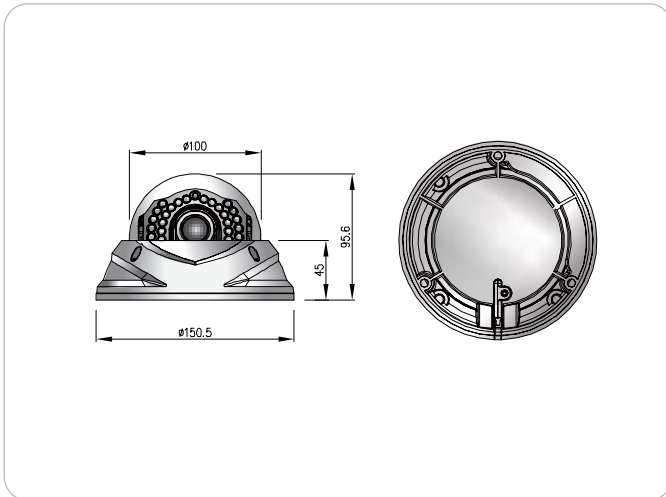
NEW



VANDAL-PROOF IR DOME CAMERA

### Dimension

Unit : mm



### Specification

Model	SK-V251IRD/M340AI
Image Sensor / Pixel	1/3" COLOR SONY SUPER HAD CCD II(960H) / 0.5M
Scanning System	2:1 Interface
Sync. Type	Internal / External(Line-Lock) - Option
Resolution	700 TV-LINE(COLOR), 780 TV-LINE(B/W)
S/N Ratio	52dB or More(AGC OFF)
Video Output	1.0 Vp-p(Sync. Negative) Termination 75Ω
Min. Illumination	Color : 0.15 Lux(F/1.2), 0.0005Lux(Sense up) B/W : 0.05 Lux(F/1.2), 0.0002Lux(Sense up) 0 Lux(25M Range at LED HIGH) : Indoor
Gamma	$\gamma=0.45$ typ
OSD	Yes(Multi Language)
White Balance	ATW(1,800°K~10,500°K)/PUSH/MANUAL/AWC
Shutter Speed	1/60(1/50)~1/100,000sec
Sense up	Auto(Selectable limit 2X~512X)/Off
Backlight	BLC/WDR/OFF
AGC	LOW/MIDDLE/HIGH/OFF
DNR(3D)	0-33 Selectable
Face Detection	ON/OFF(4 Zone)
Motion Detection	ON/OFF(4 Zone)
Privacy Zone	ON/OFF(8 Zone)
Mirror	H/V/BOTH
Freeze	ON/OFF
Day & Night	ICR(AUTO, COLOR, B/W)
LED Brightness	24pcs(LOW, MIDDLE, HIGH, OFF)
Digital Zoom	ON(16X)/OFF
Communication	RS-485(Protocol : Pelco D, Pelco P, SK-S)
Lens	Vari-focal auto iris lens
Power Supply	12V DC or 24V AC(Dual Voltage) - Option
Current Consumption	MAX. 1.0A(at 12V DC, 24V AC) : LED ON
Fan, Heater	Option, Yes
Operation Temp.	-10°C ~ 50°C
Preservation Temp.	-20°C ~ 60°C
Dimension	Ø150.5 X 95.6(H) mm
Weight	Approx. 800g

## 3-AXIS VANDAL-PROOF IR DOME CAMERA

# SK-V251IRD/M763AI, SK-V251IR/M410AI, SK-V251IR/M503AI

### Features

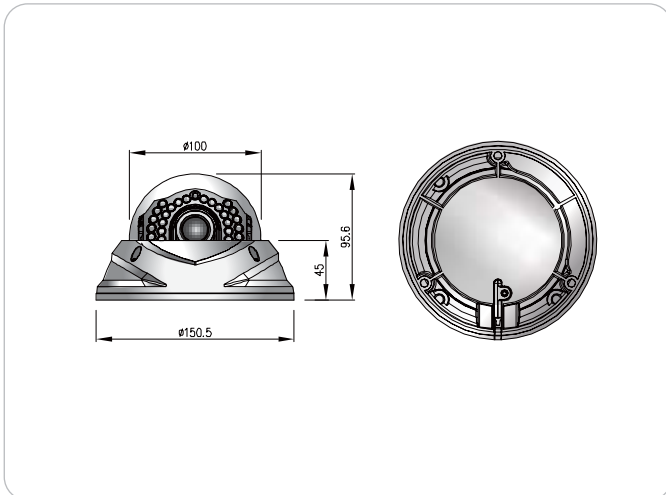
- Vandal-proof & Waterproof(IP67)
- Electronic Day & Night
- Advanced High Resolution
- 3-AXIS Bracket for 3D(Pan/Tilt/Roll) rotation
- 1/3" COLOR SONY SUPER HAD CCD II
- 25M range visible in total darkness with 24pcs of IR LEDs
- Extra Video connector for easy installation
- Functions are controlled by the push buttons with full OSD : SK-V251IR/M763AI
- Functions are controlled by the dip switch : SK-V251IR/M410AI, SK-V251IR/M503AI
- MULTI FUNCTION : Mirror, Motion Detection, Privacy Zone, Gamma Adjust : SK-V251IR/M763AI



VANDAL-PROOF IR DOME CAMERA

### Dimension

Unit : mm



### Specification

Model	SK-V251IRD/M763AI	SK-V251IR/M410AI	SK-V251IR/M503AI
Image Sensor	1/3" COLOR SONY SUPER HAD CCD II		
Pixel	410K		270K
Scanning	2:1 Interlace		
Sync. Type	Internal		
Resolution	Color : 530TV-Line B/W : 600TV-Line	550TV-Line	380TV-Line
Video Output	1.0Vp-p(Sync. Negative) Termination 75Ω		
S/N Ratio	48dB or More(AGC OFF)		
Min. Illumination (Indoor)	0Lux(25M Range) : LED ON 0.1Lux(F/1.2) : LED OFF		0Lux(25M Range) : LED ON 0.05Lux(F/1.2) : LED OFF
Gamma	γ=0.45 typ.		
Shutter Speed	1/60(1/50) ~ 1/100,000sec		
Day & Night	Electronic D&N (AUTO/COLOR/BW)		Electronic D&N(AUTO)
White Balance	ATW/AWB/ Fixed/MANUAL		ATW
BLC	ON/OFF (64step, 64area)		ON/OFF
AGC	ON/OFF (256step)		ON/OFF
Lens	Vari-focal auto iris lens		
LED	IR LED 24pcs		
Power Supply	12V DC or 24V AC (Dual voltage) - Option		Regulated 12V DC ± 10%
Current Consumption	Max. 380mA		
Operation Temp.	-10°C ~ 50°C		
Preservation Temp.	-20°C ~ 60°C		
Dimension	Ø150.5x95.6(H)mm		
Weight	Approx. 800g		

## 3-AXIS INDOOR DOME CAMERA

# SK-D300 SERIES

### Features

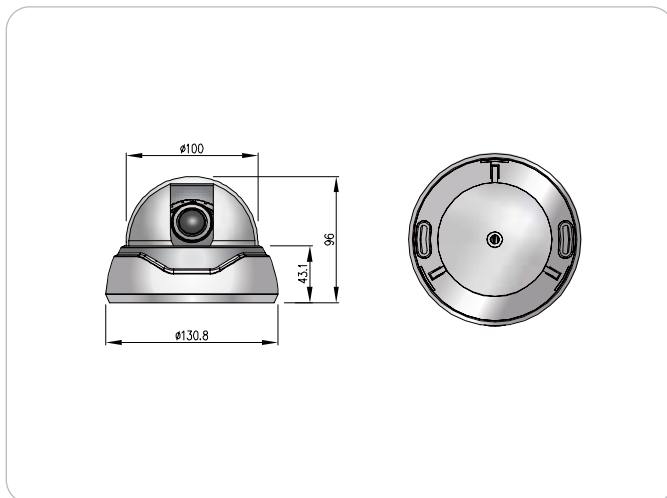
- 3-AXIS Bracket for 3D(Pan/Tilt/Roll) rotation
- 1/3" COLOR SONY SUPER HAD CCD II
- Extra Video connector for easy installation(Except SK-D300/M503)
- Compact size(Ø100)
- Option : WDR, HLC, Motion Detection, Multi-Language OSD, DNR(3D), DIS, Impact Detection, Digital Zoom, RS-485 communication, Sense up, Privacy Zone



INDOOR DOME  
CAMERA

### Dimension

Unit : mm



### Specification

Model	SK-D300/M503	SK-D300/M503AI	SK-D300/M410AI
Image Sensor	1/3" COLOR SONY SUPER HAD CCD II		
Pixel	270K		410K
Scanning	2:1 Interlace		
Sync. Type	Internal		
Resolution	380TV-Line		550TV-Line
Video Output	1.0Vp-p(Sync. Negative) Termination 75Ω		
S/N Ratio	48dB or More(AGC OFF)		
Min. Illumination	0.05Lux(F/1.2)		0.1Lux(F/1.2)
Gamma	γ=0.45 typ.		
Shutter Speed	1/60(1/50) ~ 1/100,000 sec		
White Balance	ATW		
BLC	-		ON/OFF
AGC	AUTO		HIGH/LOW
Lens	Fixed focal lens		Vari-focal auto iris lens
Power Supply	Regulated 12V DC ± 10%		
Current Consumption	Max. 160mA		
Operation Temp.	-10°C ~ 50°C		
Preservation Temp.	-20°C ~ 60°C		
Dimension	Ø130.8x96(H) mm		
Weight	Approx. 400g		

## 3-AXIS INDOOR DOME CAMERA

# SK-D300 SERIES

NEW



INDOOR DOME  
CAMERA

## Specification

Model	SK-D300/M863AI	SK-D300/M763AI
Image Sensor	1/3" COLOR SONY SUPER HAD CCD II	
Pixel	410K	
Scanning	2:1 Interlace	
Sync. Type	Internal	
Resolution	600TV-Line	530TV-Line
Video Output	1.0Vp-p(Sync. Negative) Termination 75Ω	
S/N Ratio	48dB or More(AGC OFF)	
Min. Illumination	0.1Lux(F/1.2)	
Gamma	$\gamma=0.45$ typ.	
Shutter Speed	1/60(1/50) ~ 1/100,000sec	
OSD	YES	
White Balance	ATW/AWC/MANUAL	ATW/AWB/FIXED/MANUAL
Motion Detection	ON/OFF(64 Zone)	
Impact Detection	ON/OFF	-
Privacy Zone	ON/OFF(4 Zone)	ON/OFF(4 Zone)
Backlight	BLC/HLC/OFF	BLC/OFF(Level selectable)
AGC	LOW/MIDDLE/HIGH/OFF	ON/OFF(Level selectable)
Lens	Vari-focal auto iris lens	
Communication (Option)	RS-485 (PELCO-D, PELCO-P)	-
Power Supply	Regulated 12V DC $\pm$ 10%	
Current Consumption	Max. 160mA	
Operation Temp.	-10°C ~ 50°C	
Preservation Temp.	-20°C ~ 60°C	
Dimension	Ø130.8x96(H)mm	
Weight	Approx. 400g	

Model	SK-D300/M945AI	SK-D300/M544AI
Image Sensor	1/3" COLOR SONY Vertical Double Density CCD	1/3" COLOR SONY SUPER HAD CCD II
Pixel	410K	
Scanning	2:1 Interlace	
Sync. Type	Internal	
Resolution	580TV-Line	560TV-Line
Video Output	1.0Vp-p(Sync. Negative) Termination 75Ω	
S/N Ratio	52dB or More(AGC OFF)	
Min. Illumination	Color : 0.001Lux	Color : 0.005Lux
(Sense up)	B/W : 0.0004 Lux	B/W : 0.0009Lux
Sense up	256X	256X
Gamma	$\gamma=0.45$ typ.	
Shutter Speed	1/60(1/50) ~ 1/120,000sec	1/60(1/50) ~ 1/100,000sec
OSD	YES	
White Balance	ATW/AWC/MANUAL/ OUTDOOR/INDOOR	ATW/AWB/INDOOR/ OUTDOOR/MANUAL
Motion Detection	8 Zone/Alarm Output	4 Zone
Privacy Zone	8 Zone	
Backlight	WDR/BLC/HLC/OFF	DWDR/BLC/HLC/OFF
AGC	LOW/HIGH/OFF	LOW/MIDDLE/HIGH/OFF
DNR	OFF/ON(32 Level)-3D	OFF/ON-3D
DIS	ON/OFF	-
Lens	Vari-focal auto iris lens	
Power Supply	Regulated 12V DC $\pm$ 10%	
Current Consumption	Max. 160mA	
Operation Temp.	-10°C ~ 50°C	
Preservation Temp.	-20°C ~ 60°C	
Dimension	Ø130.8x96(H)mm	
Weight	Approx. 400g	

## COMPACT 3-AXIS INDOOR DOME CAMERA

# SK-D385/M863AI, SK-D385/M873AI

### Features

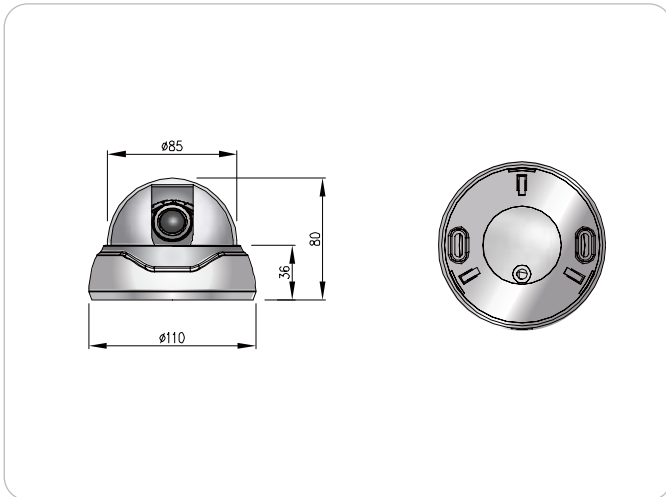
- 3-AXIS Bracket for 3D(Pan/Tilt/Roll) rotation with compact size(85phi)
- 1/3" COLOR SONY SUPER HAD CCD II
- Supreme Resolution(600TV-Line) : SK-D385/M863AI
- Extra video connector for easy installation
- Multi language full OSD support
- RS-485 interface(PELCO-D, PELCO-P protocol support)
- MULTI FUNCTION : Lens Shading Compensation, High Light Mask, Motion Detection, Privacy Zone, Defect Pixel Correction, Impact Detection



INDOOR DOME  
CAMERA

### Dimension

Unit : mm



### Specification

Model	SK-D385/M863AI	SK-D385/M873AI
Image Sensor	1/3" COLOR SONY SUPER HAD CCD II	
Pixel	410K	270K
Scanning	2:1 Interlace	
Sync. Type	Internal	
Resolution	600TV-Line	380TV-Line
Video Output	1.0Vp-p(Sync. Negative) Termination 75Ω	
S/N Ratio	48dB or More(AGC OFF)	
Min. Illumination	0.1Lux(F/1.2)	0.05Lux(F/1.2)
Gamma	$\gamma=0.45$ typ.(0.45, 0.6, 1.0 Adjustable)	
Shutter Speed	1/60(1/50) ~ 1/100,000sec	
OSD	YES	
Motion Detection	ON/OFF(64 Zone)	
Impact Detection	ON/OFF	
Privacy Zone	ON/OFF(4 Zone)	
White Balance	ATW/MANUAL/AWC(2,500°K ~ 9,500°K)	
Backlight	BLC/HLC/OFF	
AGC	LOW/MIDDLE/HIGH/OFF	
Communication(Optional)	RS-485(Pelco-D, Pelco-P)	
Lens	Vari-focal auto iris lens	
Power Supply	Regulated 12V DC $\pm$ 10%	
Current Consumption	Max. 150mA	
Operation Temp.	-10°C ~ 50°C	
Preservation Temp.	-20°C ~ 60°C	
Dimension	Ø110x80(H)mm	
Weight	Approx. 230g	



## 3-AXIS VANDAL-PROOF DOME CAMERA

# SK-V251 SERIES

### Features

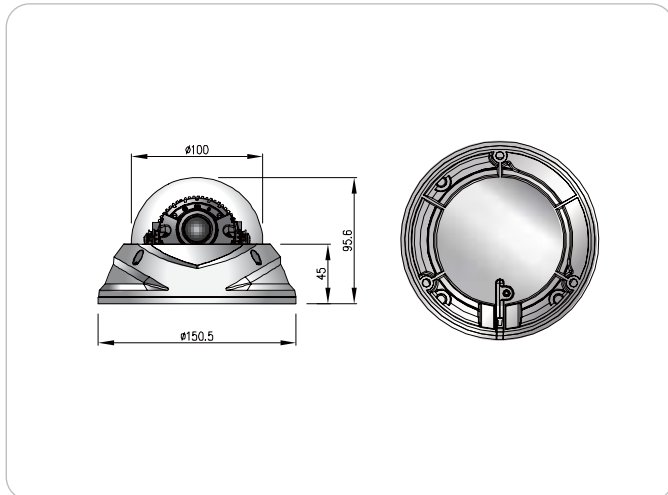
- Vandal-proof & Waterproof(IP67)
- 3-AXIS Bracket for 3D(Pan/Tilt/Roll) rotation
- 1/3" COLOR SONY SUPER HAD CCD II
- Extra Video connector for easy installation(Except SK-V251/M503)
- Compact size(Ø100)
- Option : WDR, HLC, Motion Detection, Multi-Language OSD, DNR(3D), DIS, Impact Detection, Digital Zoom, RS-485 communication, Sense up, Privacy Zone



VANDAL-PROOF DOME  
CAMERA

### Dimension

Unit : mm



### Specification

Model	SK-V251/M503	SK-V251/M503AI	SK-V251/M410AI
Image Sensor	1/3" COLOR SONY SUPER HAD CCD II		
Pixel	270K		410K
Scanning	2:1 Interlace		
Sync. Type	Internal		
Resolution	380TV-Line		550TV-Line
Video Output	1.0Vp-p(Sync. Negative) Termination 75Ω		
S/N Ratio	48dB or More(AGC OFF)		
Min. Illumination	0.05Lux(F/1.2)		0.1Lux(F/1.2)
Gamma	$\gamma=0.45$ typ.		
Shutter Speed	1/60(1/50) ~ 1/100,000 sec		
White Balance	ATW		
BLC	-		ON/OFF
AGC	AUTO		HIGH/LOW
Lens	Fixed focal lens		Vari-focal auto iris lens
Power Supply	Regulated 12V DC $\pm$ 10%		
Current Consumption	Max. 160mA		
Operation Temp.	-10°C ~ 50°C		
Preservation Temp.	-20°C ~ 60°C		
Dimension	Ø150.5x95.6(H) mm		
Weight	Approx. 750g		

## 3-AXIS VANDAL-PROOF DOME CAMERA

# SK-V251 SERIES



VANDAL-PROOF DOME  
CAMERA

### Specification

Model	SK-V251/M863AI	SK-V251/M763AI
Image Sensor	1/3" COLOR SONY SUPER HAD CCD II	
Pixel	410K	
Scanning	2:1 Interlace	
Sync. Type	Internal	
Resolution	600TV-Line	530TV-Line
Video Output	1.0Vp-p(Sync. Negative) Termination 75Ω	
S/N Ratio	48dB or More(AGC OFF)	
Min. Illumination	0.1Lux(F/1.2)	
Gamma	$\gamma=0.45$ typ.	
Shutter Speed	1/60(1/50) ~ 1/100,000sec	
OSD	YES	
White Balance	ATW/AWC/MANUAL	ATW/AWB/FIXED/MANUAL
Motion Detection	ON/OFF(64 Zone)	
Impact Detection	ON/OFF	-
Privacy Zone	ON/OFF(4 Zone)	ON/OFF(64 Zone)
Backlight	BLC/HLC/OFF	BLC/OFF(Level selectable)
AGC	LOW/MIDDLE/HIGH/OFF	ON/OFF(Level selectable)
Communication (Option)	RS-485 (PELCO-D, PELCO-P)	-
Lens	Vari-focal auto iris lens	
Power Supply	Regulated 12V DC $\pm$ 10%	
Current Consumption	Max. 160mA	
Operation Temp.	-10°C ~ 50°C	
Preservation Temp.	-20°C ~ 60°C	
Dimension	Ø150.5x95.6(H)mm	
Weight	Approx. 750g	

### Specification

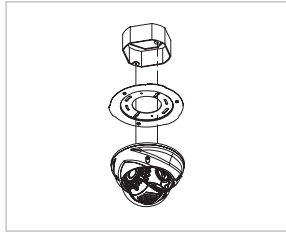
Model	SK-V251/M945AI	SK-V251/M544AI
Image Sensor	1/3" COLOR SONY Vertical Double Density CCD	1/3" COLOR SONY SUPER HAD CCDII
Pixel	410K	
Scanning	2:1 Interlace	
Sync. Type	Internal	
Resolution	580TV-Line	560TV-Line
Video Output	1.0Vp-p(Sync. Negative) Termination 75Ω	
S/N Ratio	52dB or More(AGC OFF)	
Min. Illumination	Color : 0.001Lux	Color : 0.005Lux
(Sense up)	B/W : 0.0004Lux	B/W : 0.0009Lux
Sense up	256X	256X
Gamma	$\gamma=0.45$ typ.	
Shutter Speed	1/60(1/50) ~ 1/120,000sec	1/60(1/50) ~ 1/100,000sec
OSD	YES	
White Balance	ATW/AWC/MANUAL /OUTDOOR/INDOOR	ATW/AWB/INDOOR /OUTDOOR/MANUAL
Motion Detection	8 Zone/Alarm Output	4 Zone
Privacy Zone	8 Zone	
Backlight	WDR/BLC/HLC/OFF	DWDR/BLC/HLC/OFF
AGC	LOW/HIGH/OFF	LOW/MIDDLE/HIGH/OFF
DNR	OFF/ON(32 Level)-3D	OFF/ON-3D
DIS	ON/OFF	-
Lens	Vari-focal auto iris lens	
Power Supply	Regulated 12V DC $\pm$ 10%	
Current Consumption	Max. 160mA	
Operation Temp.	-10°C ~ 50°C	
Preservation Temp.	-20°C ~ 60°C	
Dimension	Ø150.5x95.6(H)mm	
Weight	Approx. 750g	

# For SK-V251 SERIES

## Option



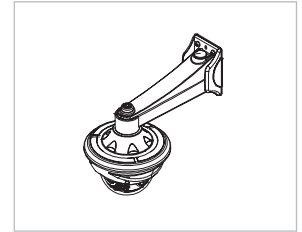
SK-AB14



SK-V251 + SK-AB14  
(Electrical Box Mount)



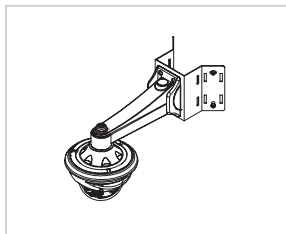
SK-AB02



SK-V251 + SK-AB02  
(Wall Mount)



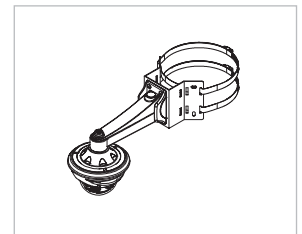
SK-AB10



SK-V251 + SK-AB02 + AB10  
(Corner Mount)



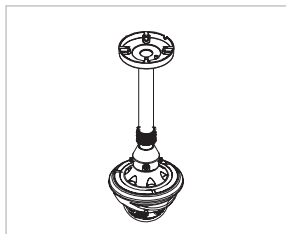
SK-AB15



SK-V251 + SK-AB02 + AB15  
(Pole Mount)



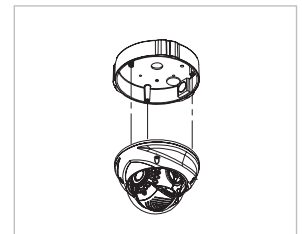
SK-AB08



SK-V251 + SK-AB08  
(Ceiling Mount)



SK-AB03



SK-V251 + SK-AB03  
(Base Tray Mount)

## VANDAL-PROOF MINI DOME CAMERA

# SK-V318/M503(AI), SK-V318/M410(AI)

### Features

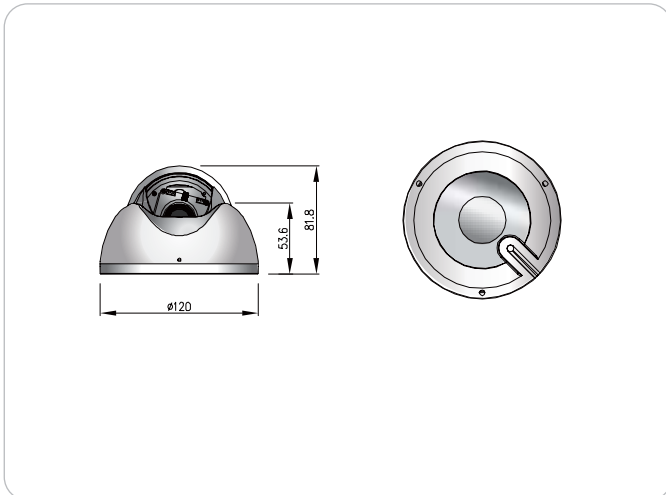
- Vandal-proof smallest dome
- Weather-proof(IP66)
- 1/3" COLOR SONY SUPER HAD CCD II
- Ceiling & Wall mount available
- Option : Vari-focal auto iris lens available



VANDAL-PROOF DOME  
CAMERA

### Dimension

Unit : mm



### Specification

MODEL	SK-V318/M503(AI)	SK-V318/M410(AI)
Image Sensor	1/3" COLOR SONY SUPER HAD CCD II	
Pixel	270K	410K
Scanning	2:1 Interlace	
Sync. Type	Internal	
Resolution	380TV-Line	550TV-Line
Video Output	1.0Vp-p(Sync. Negative) Termination 75 Ω	
S/N Ratio	48dB or More(AGC OFF)	
Min. Illumination	0.05Lux	0.1Lux
Lens	Vari-focal or Fixed focal lens	
Gamma	$\gamma=0.45$ typ.	
AGC	Automatic	
Shutter Speed	1/60(1/50) ~ 1/100,000sec	
Power Supply	Regulated 12V DC $\pm$ 10%	
Current Consumption	Max. 160mA(at 12V DC)	
Operation Temp.	-10°C ~ 50°C	
Preservation Temp.	-20°C ~ 60°C	
Dimension	Ø120x81.8(H)mm	
Weight	Approx. 610g	

## FOCUS FREE PTZ DOME CAMERA

# SK-D106/M863FF, SK-D107/M863FF

### Features

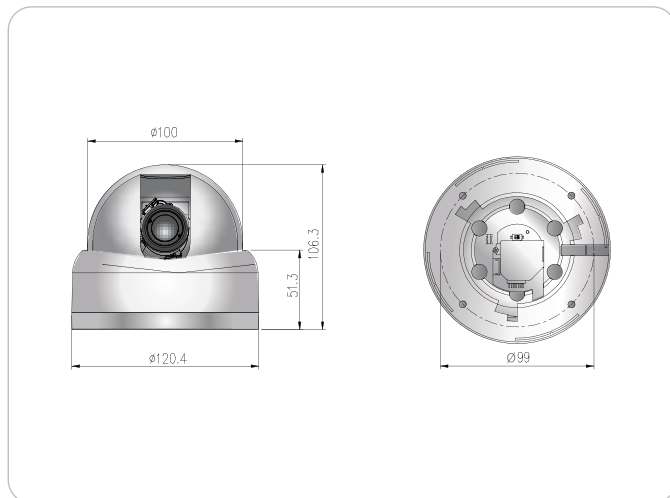
- Compact PTZ dome camera
- Optical 3.6X zoom(Focus Free)
- Max 93°/sec panning
- Pan : 360°(Endless), Tilt : 5°~90° - SK-D107/M863FF
- Pan : 0~350°, Tilt : 5°~90° - SK-D106/M863FF
- 64 Preset positions
- 1/3" COLOR SONY Super HAD CCD II
- Supreme Resolution(600TV-Line : Color, 680TV-Line : B/W)
- Full OSD support
- RS485 Interface(PELCO-D, PELCO-P, SK-P)



PTZ DOME  
CAMERA

### Dimension

Unit : mm



### Specification

Model	SK-D106/ M863FF	SK-D107/ M863FF
Image Sensor	1/3" COLOR SONY SUPER HAD CCD II	
Pixel	410K	
Scanning System	2:1 Interlace	
Sync. Type	Internal	
Resolution	600 TV-LINE(COLOR), 680 TV-LINE(B/W)	
S/N Ratio	48dB or More(AGC OFF)	
Video Output	1.0 Vp-p(Sync. Negative) Termination 75Ω	
Min. Illumination	0.1 Lux(F/1.2)	
Gamma	$\gamma=0.45$ typ.(0.45, 0.6, 1.0, user)	
OSD	Yes(English Only)	
White Balance	ATW / AWC / Manual[R,B](2,500°K / 9,500°K)	
Shutter Speed	1/60(1/50)~1/100,000sec	
Backlight	BLC/HLC/OFF	
Motion Detection	ON/OFF	
Mirror	ON/ OFF	
Day & Night	Electronic(AUTO, COLOR, B/W)	
ZOOM	Optical 3.6X	
Impact Detection	LOW/MIDDLE/HIGH/OFF	
FOCAL Length	f= 2.8(W) ~ 10.0(T)mm / F 1.2(W) ~ F2.7(T)	
Angle of view(Diagonal)	131.6°(Wide End), 35.6°(Tele End)	
Min. Focus Distance	Min . 0.3M	
Moving Speed	Pan: 9°/s~93°/s, Tilt: 9°/s~66°/s	
Moving Angle	Pan: 0°~350°, Tilt: 5°~90°	Pan: 360° Endless, Tilt: 5°~90°
Camera ID Setup	1~255 Selectable	
Communication	RS-485(Protocol : Pelco D, Pelco P, SK-P)	
Baud rate	2400bps, 4800bps, 9600bps	
Power Supply	Regulated 12V DC $\pm$ 10%	
Current Consumption	Max. 800mA	
Operation Temp.	-10°C ~ 50°C	
Preservation Temp.	-20°C ~ 60°C	
Dimension	Ø 120.5 x 106.3(H)mm	
Weight	Approx. 850g	
Option	SK-AB11, SK-AB19(Wall mount)	

## OUTDOOR FOCUS FREE PTZ DOME CAMERA

# SK-V106/M863FF, SK-V107/M863FF

### Features

- Weather-proof compact PTZ dome camera
- Optical 3.6X zoom(Focus Free)
- Max 93°/sec panning
- Pan : 360°(Endless), Tilt : 5°~90° - SK-V107/M863FF
- Pan : 0~350°, Tilt : 5°~90° - SK-V106/M863FF
- 64 Preset positions
- 1/3" COLOR SONY Super HAD CCD II
- Supreme Resolution(600TV-Line : Color, 680TV-Line : B/W)
- Full OSD support
- RS485 Interface(PELCO-D, PELCO-P, SK-P)

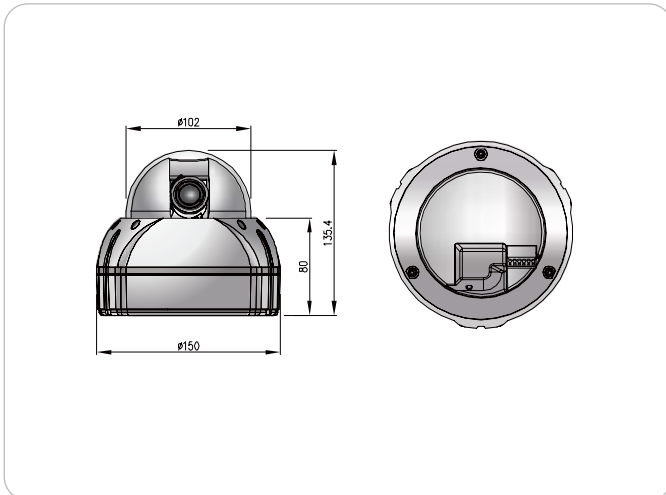
NEW



PTZ DOME  
CAMERA

### Dimension

Unit : mm



### Specification

Model	SK-V106/M863FF	SK-V107/M863FF
Image Sensor	1/3" COLOR SONY SUPER HAD CCD II	
Pixel	410K	
Scanning System	2:1 Interlace	
Sync. Type	Internal	
Resolution	600 TV-LINE(COLOR), 680 TV-LINE(B/W)	
S/N Ratio	48dB or More(AGC OFF)	
Video Output	1.0 Vp-p(Sync. Negative) Termination 75Ω	
Min. Illumination	0.1 Lux(F/1.2)	
Gamma	$\gamma=0.45$ typ.(0.45, 0.6, 1.0, user)	
OSD	Yes(English Only)	
White Balance	ATW / AWC / Manual[R,B](2,500°K / 9,500°K)	
Shutter Speed	1/60(1/50)~1/100,000sec	
Backlight	BLC/HLC/OFF	
Motion Detection	ON/OFF	
Mirror	ON/ OFF	
Day & Night	Electronic(AUTO, COLOR, B/W)	
ZOOM	Optical 3.6X	
Impact Detection	LOW/MIDDLE/HIGH/OFF	
FOCAL Length	f= 2.8(W) ~ 10.0(T)mm / F 1.2(W) ~ F2.7(T)	
Angle of view(Diagonal)	131.6°(Wide End), 35.6°(Tele End)	
Min. Focus Distance	Min . 0.3M	
Moving Speed	Pan: 9°/s~93°/s, Tilt: 9°/s~66°/s	
Moving Angle	Pan: 0°~350°, Tilt: 5°~90°	Pan: 360° Endless, Tilt: 5°~90°
Camera ID Setup	1~255 Selectable	
Communication	RS-485(Protocol : Pelco D, Pelco P, SK-P)	
Baud rate	2400bps, 4800bps, 9600bps	
Power Supply	Regulated 12V DC $\pm$ 10%	
Current Consumption	Max. 800mA	
Operation Temp.	-10°C ~ 50°C	
Preservation Temp.	-20°C ~ 60°C	
Dimension	Ø 150 x 135.4(H)mm	
Weight	Approx. 1.2kg	
Option	SK-AB02(Wall mount)	

## 100X ZOOM PTZ DOME CAMERA

# SK-D106/Z240, SK-D107/Z240

### Features

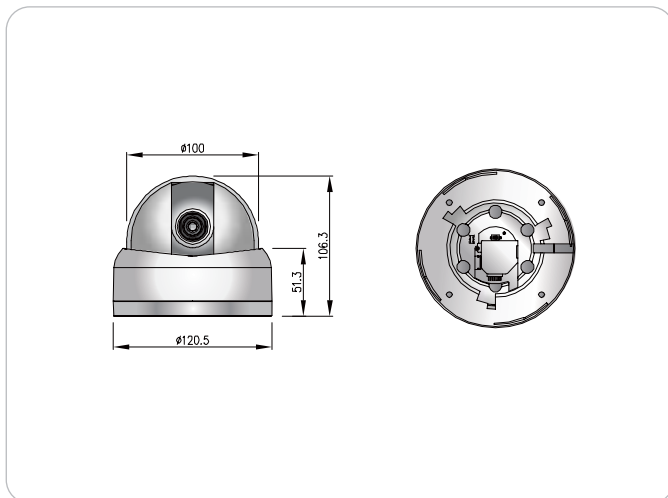
- Compact PTZ Dome Camera
- Max 93°/sec panning
- 64 Preset positions
- Special controller available (Option : SK-AR11 or SK-AR12)
- Pan - 0°~350°, Tilt - 5°~90° : SK-D106/Z240
- Pan - 360°(Endless), Tilt - 5°~90° : SK-D107/Z240
- 100X Zoom (Optical : 10X, Digital : 10X)
- Powerful & Level selectable BLC
- Built-in OSD
- Day & Night function (ICR)
- Auto focus / Auto IRIS
- RS-485 interface (Multi protocol support : SK-P, PELCO-D, PELCO-P)



PTZ DOME  
CAMERA

### Dimension

Unit : mm



### Specification

Model	SK-D106/Z240	SK-D107/Z240
Image Sensor	1/4" COLOR SONY SUPER HAD CCD	
Pixel	410K	
Scanning	2:1 Interlace	
Sync. Type	Internal	
Resolution	Color : 480TV-Line , B/W : 520TV-Line	
Video Output	1.0Vp-p(Sync. Negative), Termination 75Ω	
S/N Ratio	46dB or More(AGC OFF)	
Min. Illumination	0.1Lux(F1.8)	
Gamma	$\gamma=0.45$ typ.	
Shutter Speed	Auto : 1/60(1/50) ~ 1/10,000sec Manual : 1/60(1/50), FLK(1/120), 1/250, 1/500, 1/1,000, 1/2,000, 1/4,000, 1/10,000sec	
White Balance	ATW/AWC/3,200°K/5,600°K/MANUAL[R,B]	
OSD	YES(English only)	
ZOOM	Optical Zoom 10X, Digital Zoom 10X	
FOCAL Length	f=3.8(W) ~ 38.0(T)mm/F1.8(W) ~ F2.8(T)	
Angle of view	51.2°(Wide End), 5.58°(Tele End) - Diagonal	
Min. Working Distance	0.35M(Wide End), 0.8M(Tele End)	
Moving Speed	PAN : 9°/s ~ 93°/s, TILT : 9°/s ~ 66°/s	
Moving Angle	PAN : 0° ~ 350° TILT : 5° ~ 90°	PAN : 360°Endless TILT : 5° ~ 90°
External Communication	RS-485	
Power Supply	Regulated 12V DC $\pm 10\%$	
Current Consumption	Max. 800mA	
Operation Temp.	-10°C ~ 50°C	
Preservation Temp.	-20°C ~ 60°C	
Dimension	Ø120.5x106.3(H)mm	
Weight	Approx. 850g	

## OUTDOOR 100X ZOOM PTZ DOME CAMERA

# SK-V106/Z240, SK-V107/Z240

### Features

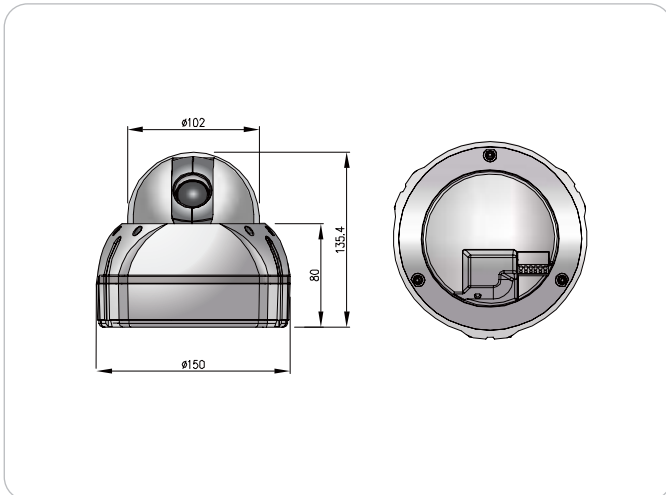
- Weather-proof Compact PTZ Dome Camera
- Max 93°/sec panning
- 64 Preset positions
- Special controller available (Option : SK-AR11 or SK-AR12)
- Pan - 0°~350°, Tilt - 5°~90° : SK-V106/Z240
- Pan - 360°(Endless), Tilt - 5°~90° : SK-V107/Z240
- 100X Zoom (Optical : 10X, Digital : 10X)
- Powerful & Level selectable BLC
- Built-in OSD
- Day & Night function (ICR)
- Auto focus / Auto IRIS
- RS-485 interface (Multi protocol support : SK-P, PELCO-D, PELCO-P)



PTZ DOME  
CAMERA

### Dimension

Unit : mm



### Specification

Model	SK-V106/Z240	SK-V107/Z240
Image Sensor	1/4" COLOR SONY SUPER HAD CCD	
Pixel	410K	
Scanning	2:1 Interlace	
Sync. Type	Internal	
Resolution	Color : 480TV-Line , B/W : 520TV-Line	
Video Output	1.0Vp-p(Sync. Negative), Termination 75Ω	
S/N Ratio	46dB or More(AGC OFF)	
Min. Illumination	0.1Lux(F1.8)	
Gamma	$\gamma=0.45$ typ.	
Shutter Speed	Auto : 1/60(1/50) ~ 1/10,000sec Manual : 1/60(1/50), FLK(1/120), 1/120, 1/250, 1/500, 1/1,000, 1/2,000, 1/4,000, 1/10,000	
White Balance	ATW/AWC/3,200°K/5,600°K/MANUAL [R,B]	
OSD	YES(English only)	
ZOOM	Optical Zoom 10X, Digital Zoom 10X	
FOCAL Length	f=3.8(W) ~ 38.0(T)mm/F1.8(W) ~ F2.8(T)	
Angle of view	51.2°(Wide End), 5.58°(Tele End)	
Min. Working Distance	0.35M(Wide End), 0.8M(Tele End)	
Moving Speed	PAN : 9°/s ~ 93°/s, TILT : 9°/s ~ 66°/s	
Moving Angle	PAN : 0°~350° TILT : 5°~90°	PAN : 360° Endless TILT : 5°~90°
External Communication	RS-485	
Power Supply	Regulated 12V DC $\pm 10\%$	
Current Consumption	Max. 800mA	
Operation Temp.	-10°C ~ 50°C	
Preservation Temp.	-20°C ~ 60°C	
Dimension	Ø150x135.4(H)mm	
Weight	Approx. 1.2kg	



## 432X ZOOM HIGH SPEED DOME CAMERA

# SK-S200/Z940

### Features

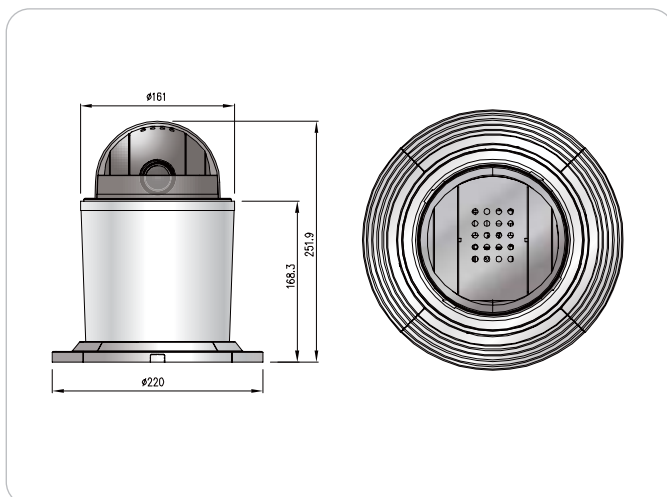
- Powerful 432X Zoom(Optical 36X, Digital 12X)
- 1/4" COLOR SONY EXview HAD CCD
- Built-in 36X Zoom module made by Sony Corp.
- 360° endless panning, 180° tilting
- Auto-Flip(Automatically turn 180° when the camera tilts to its lower limits)
- Max 400°/s speed at preset mode
- 128 Preset positions
- Privacy zone masking functions(8 zones)
- Day & Night operation W/built-in D&N zoom lens
- Alarm on action, WDR, Sense up



HIGH SPEED DOME  
CAMERA

### Dimension

Unit : mm



### Specification

Model	SK-S200/Z940
Zoom	36X Optical, 12X Digital
Image Sensor	1/4" COLOR SONY EXview HAD CCD
Pixel	410K
Resolution	Color : 530TV-Line, B/W : 600TV-Line
Sync. Type	Internal /External(Line-lock)
Focal Length	f=3.4 ~ 122.4mm
Min. Illumination	0.0001Lux(W/Sense up)
Day & Night	ICR(AUTO/COLOR/BW)
WDR	ON/OFF
Sense up	ON/OFF
Preset	128 points
Pattern	4 patterns(210sec ~ 2 hours : depends on complexity)
Privacy Zone	8 zone
Tour	8 tours
Auto Scan	CW/CCW/Custom mode
Pan/Tilt Angle	360°Endless/180° Auto Flip
Manual Pan/Tilt Speed	0.05 ~ 120 deg/sec
Preset Pan/Tilt Speed	Max. 400 deg/sec
Alarm Input	8
Alarm Output	Open Collector(5V DC, 40mA) Relay(2A 30V DC, 0.5A 125V AC)
Address(ID)	255
Remote Control	RS-485 or RS-422
Protocol & Baudrate	AUTO, SK-P, Pelco-D(2,400 ~ 9,600bps)
Power Supply	24V AC/18W 1.5A
Operation Temp.	0°C ~ 50°C
Preservation Temp.	-20°C ~ 60°C
Dimension	Ø220x251.9(H)mm
Weight	Approx. 2.2Kg

## HIGH SPEED DOME CAMERA

# SK-S200/Z160, SK-S200/Z160X, SK-S200/Z140, SK-S200/Z140X

### Features

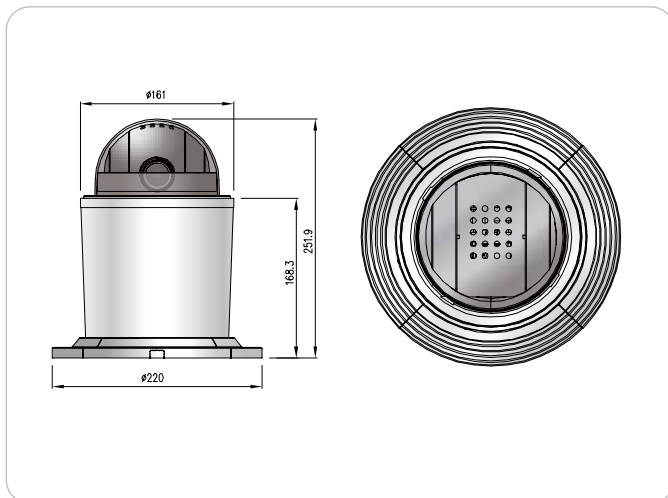
- Powerful 264X zoom
- 360° endless panning
- Max 400°/s speed at preset mode
- 128 Preset positions
- Auto - Flip(Automatically turn 180° when the camera tilts to its lower limits)
- Privacy zone masking function(8 zone)
- Alarm on action
- Option : Day & Night operation W/Built-in D&N lens



HIGH SPEED DOME  
CAMERA

### Dimension

Unit : mm

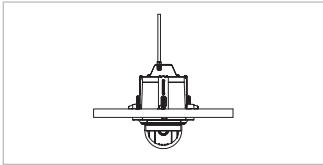


### Specification

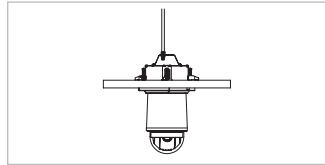
Model	SK-S200/Z160, SK-S200/Z160X	SK-S200/Z140, SK-S200/Z140X
Image Sensor	1/4" COLOR SONY SUPER HAD CCD 1/4" COLOR SONY EXview HAD CCD	
Min. Illumination	1 Lux(F1.6)	0.1 Lux(F1.6)
	0.1 Lux(F1.6)	0.01 Lux(F1.6)
Day & Night	Electronic D&N	ICR
Zoom	22X Optical, 12X Digital	
Pixel	410K	
Resolution	480TV-Line	Color : 480TV-Line, BW : 560TV-Line
Focal Length	f=3.9 ~ 85.8mm	
Pattern	4 patterns( 210 sec ~ 2 hours : depends on complexity)	
Privacy Zone	8 zone	
Tour	8 tours	
Auto Scan	CW/CCW/Custom mode	
Pan Angle	360 deg(Endless)	
Tilt Angle	180 deg(Auto Flip)	
Pan/Tilt Speed	Manual : 0.05 ~ 120 deg/sec , Preset : Max. 400 deg/sec	
Endless Rotate	YES	
Digital Flip	YES	
Alarm Input	8	
Alarm Output	Open collector(5V DC, 40mA) Relay(2A 30VDC, 0.5A 125VAC)	
Address	255	
Remote Control	RS-485 or RS-422	
Protocol	AUTO(SK-P/Pelco-D)	
Baud Rate	AUTO(2400/9600)	
Current Consumption	24V AC/18W 1.5A	
Operation Temp.	-10°C ~ 50°C	
Preservation Temp.	-20°C ~ 60°C	
Dimension	Ø220x251.9(H)mm	
Weight	Approx. 2.2kg	

# For SK-S200 SERIES

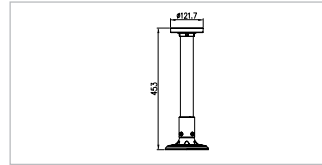
## Ceiling Mount Application



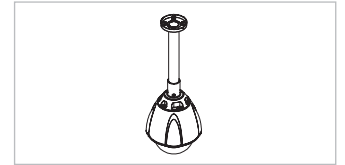
Ceiling Embedded Mount  
(SK-AB05)



Ceiling Mount  
(SK-AB04)



Pendant Mount(Indoor)  
(SK-AB07)

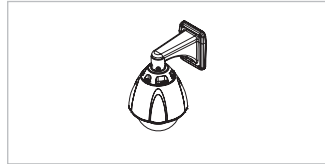


Pendant Mount(Outdoor)  
(SK-H241 + SK-AB12)

## Wall Mount Application

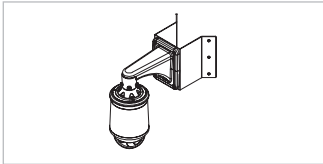


Indoor  
(SK-AB06)

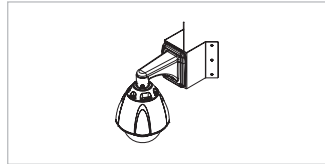


Outdoor  
(SK-H241 + SK-AB16)

## Corner Mount Application



Indoor  
(SK-AB06 + SK-AB09)

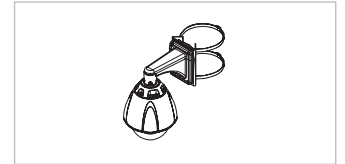


Outdoor  
(SK-H241 + SK-AB16 + SK-AB09)

## Pole Mount Application

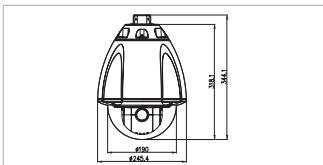


Indoor  
(SK-AB06 + SK-AB18 + SK-AB17)

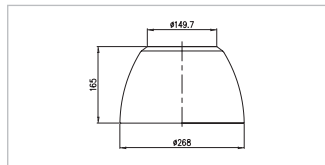


Outdoor  
(SK-H241 + SK-AB16 + SK-AB18 + SK-AB17)

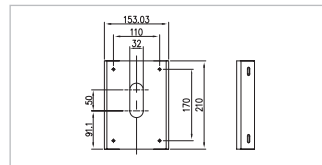
## Accessories(Optional) for Speed Dome Camera(SK-S200 series)



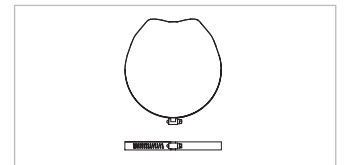
Outdoor Housing  
(SK-H241)



Outdoor Sunvisor  
(SK-AS01)

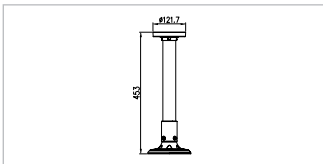


Pole Mount Adaptor  
(SK-AB18)

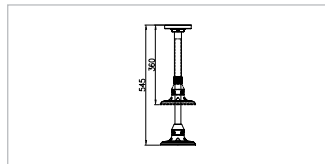


Steel Straps  
(SK-AB17)

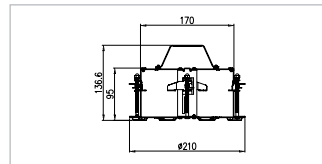
## Ceiling Mount Application



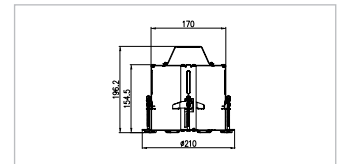
Pendant Mount Bracket(Indoor)  
(SK-AB07)



Pendant Mount Bracket(Outdoor)  
(SK-AB12)

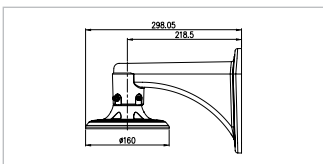


Ceiling Bracket  
(SK-AB04)

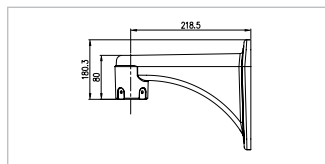


Ceiling Embedded Mount  
(SK-AB05)

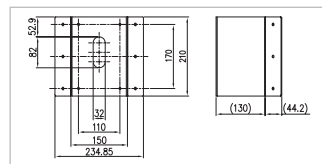
## Wall Mount Application



Wall Mount Bracket(Indoor)  
(SK-AB06)



Wall Mount Bracket(Outdoor)  
(SK-AB16)



Corner Mount Adaptor  
(SK-AB09)

## IR SPEED DOME CAMERA

# SK-V207IR/Z946

NEW



### Features

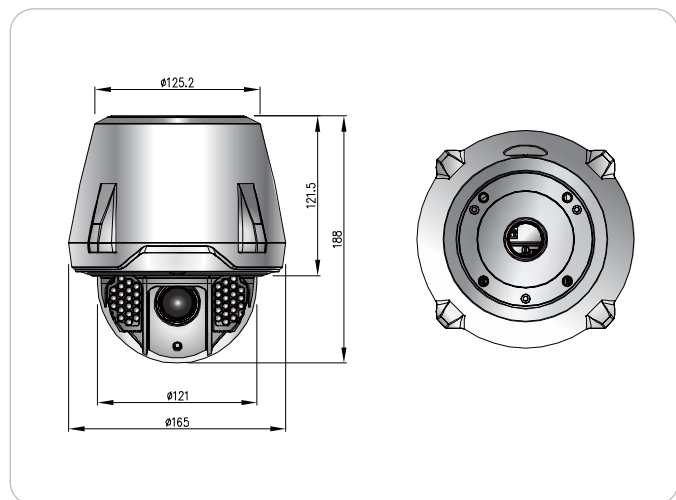
- 192X zoom(Optical 12X, Digital 16X)
- Long visible range at night(30m range indoor) with IR LED 40EA
- Pan : 360°(Endless) , Tilt : -5°~185°(Mechanical Auto Flip)
- Max 250°/sec pan preset speed
- 128 Preset positions
- Day & Night function(ICR)
- 3D DNR(Digital noise reduction), SSSDR(Super Dynamic Range)
- Sense up(X512)
- Warming up & Cooling
- Scheduling of presets and patterns by internal scheduling clock(up to 8)
- On-screen time display
- 4 Alarm input & 2 Alarm output
- Privacy zone masking(up to 8)
- Pan position auto compensation
- Weather-proof



HIGH SPEED DOME CAMERA

### Dimension

Unit : mm



### Specification

Model	SK-V207IR/Z946
Image sensor	1/4" COLOR SONY SUPER HAD CCD II
Pixel	410K
Zoom	Optical 12X, Digital 16X
Focal length	f=3.94 ~ 46.05mm(F1.67~F1.88)
Resolution	560TV-Line(Color), 680TV-Line(B/W)
Min. Illumination	0.0001Lux(W/Sense up) 0 Lux(30m range) - LED ON
Video output	1.0Vp-p(Sync. Negative), Termination 75Ω
Sync. Type	Internal / External(Line-lock) - Option
DAY&NIGHT	ICR(AUTO/COLOR/BW)
LED	IR LED 40 PCS
SENSE UP	Off / On(X2 ~ X512)
Backlight	Off / BLC / HLC / SSSDR
Privacy Zone	8 zones
Pan/Tilt Angle	Pan : 360°(Endless), Tilt : -5°~185°(Mechanical Auto Flip)
Pan/Tilt Speed	Preset : MAX. 250°/sec, Manual : 0.05~120°/sec
PRESET	128 points
PATTERN	4 patterns(210sec ~ 2 hours : depends on complexity)
TOUR	8 tours
AUTO SCAN	CW/CCW/Custom mode
Position Compensation	Pan position auto compensation
Schedule	8 Schedule
Clock	Set, Off/On
Alarm Input	4 Port
Alarm Output	Open Collector(5VDC, 40mA) / Relay(2A 30VDC, 0.5A 125VAC)
Address(ID)	255
Remote Control	RS-485
PROTOCOL	AUTO, SK-P, PELCO-D
BAUDRATE	2,400bps, 4,800bps, 9,600bps, 19,200bps
FAN	YES
Power	24V AC / 18W 1.5A or 12V DC 2A
Operation Temp.	-20 °C ~ 60 °C
Preservation Temp	-20 °C ~ 60 °C
Dimension	Φ165mm X 188(H)mm
Weight	Approx. 2.5 Kg
Bracket(Optional)	SK-AB20(wall mount), SK-AB21(ceiling mount)

## COLOR 264X AF ZOOM CAMERA

# SK-Z161, SK-Z161X, SK-Z141, SK-Z141X

### Features

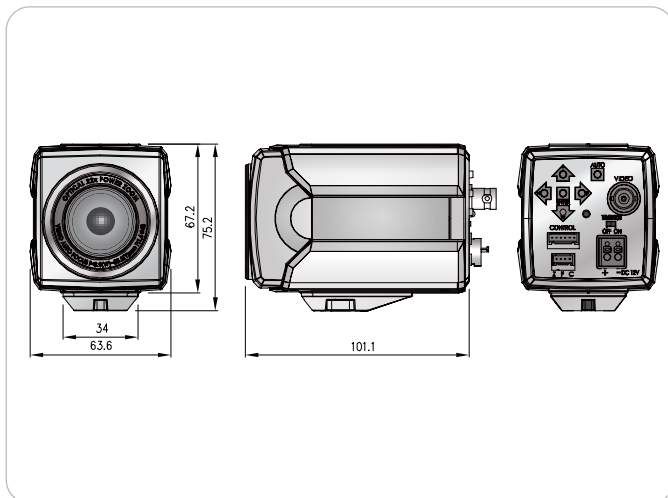
- High Magnification Zoom(Optical 22X, Digital 12X)
- Powerful & level selectable BLC
- High Resolution
- OSD
- RS-485 interface(SK-S, PELCO-D&P support)
- D&N function W/Built-in Day & Night lens : SK-Z141, SK-Z141X
- Auto focus/Auto Iris



ZOOM  
CAMERA

### Dimension

Unit : mm



### Specification

Model	SK-Z161 SK-Z161X	SK-Z141 SK-Z141X
Image Sensor	1/4" COLOR SONY SUPER HAD CCD 1/4" COLOR SONY EXview HAD CCD	
Pixel	410K	
Scanning	2:1 Interlace	
Sync. Type	Internal	
Resolution	480TV-Line	
Video Output	I.0Vp-p Composite	
Min. Illumination	1Lux(F/1.6) 0.1Lux(F/1.6)	0.1Lux(F/1.6) 0.01Lux(F/1.6)
Day & Night	Electronic D&N	ICR
Gamma	$\gamma=0.45$ typ	
White Balance	ATW/PUSH/AWC/3200°K/5600°K/MANUAL(R,B)	
Protocol	SK-S/Pelco-D&P	
Focal Length	f=3.9(W) ~ 85.8(T)mm/F1.6(W) ~ F3.7(T)	
Zoom	Optical : 22X, Digital : 12X(264X)	
OSD	YES	
Shutter Speed	Auto : 1/60(1/50) ~ 1/100,000sec Manual : 1/60(1/50), FLK(1/120), 1/250, 1/500, 1/1,000, 1/2,000, 1/4,000, 1/10,000	
Power Supply	Regulated 12V DC $\pm$ 10%	
Current Consumption	Max. 400mA(at 12V DC)	
Baud Rate	2400 ~ 9600	
Operation Temp.	-10°C ~ 50°C	
Preservation Temp.	-20°C ~ 60°C	
Dimension	63.6(W)x75.2(H)x101.1(D) mm	

# SUPREME RESOLUTION WDR CAMERA

## SK-B161/M945AI, SK-B161/M946AI

### Features

- Multi-language Full OSD support
- MULTI FUNCTION : High Light Mask, Motion Detection, Privacy Mask, Defect Pixel Correction, Freeze, Flip(H/V/Both), Digital Zoom
- Option : 12V DC or 24V AC Dual voltage

#### [SK-B161/M945AI]

- Advanced High Resolution(580TV-Line : Color, 700TV-Line : B/W)
- 1/3" COLOR SONY WDR CCD & SV4 DSP
- WDR, DIS(Digital Image Stabilizer), 3D-DNR, Sense up(256X)

#### [SK-B161/M946AI]

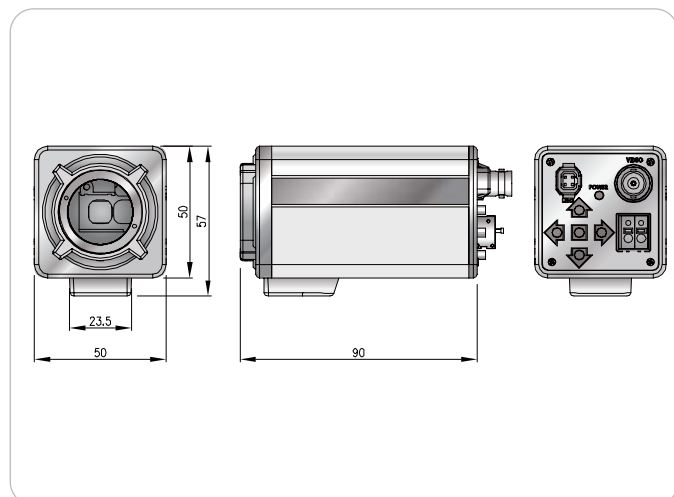
- Supreme Resolution(600TV-Line : Color, 700TV-Line : B/W)
- 1/3" COLOR SONY Super HAD CCD II & W5 DSP
- SSSDR(Digital WDR), DIS(Digital Image Stabilizer), 3D-DNR, Sense up(512X)



STANDARD C&CS  
CAMERA

### Dimension

Unit : mm



### Specification

Model	SK-B161/M945AI	SK-B161/M946AI
Image Sensor / Pixel	1/3" COLOR SONY WDR CCD / 410K	1/3" COLOR SONY SUPER HAD CCD II / 410K
Scanning System	2:1 Interlace	
Sync. Type	Internal / External(Line-Lock) - Option	
Resolution	580 TV-LINE(COLOR), 700 TV-LINE(B/W)	600 TV-LINE(COLOR), 700 TV-LINE(B/W)
S/N Ratio	52dB or More(AGC OFF)	
Video Output	1.0 Vp-p(Sync. Negative) Termination 75Ω	
Min. Illumination	COLOR : 0.3 Lux(F/1.2), 0.001Lux(Sense up) B/W : 0.09 Lux(F/1.2), 0.0004Lux(Sense up)	COLOR : 0.15 Lux(F/1.2), 0.0005Lux(Sense up) B/W : 0.05 Lux(F/1.2), 0.0002Lux(Sense up)
Gamma	$\gamma=0.45$ typ.(0.45, 0.6, 1.0, user)	
OSD	Yes(Multi Language)	
White Balance	ATW(1,800°K~10,500°K) /MANUAL/AWC/INDOOR/OUTDOOR	ATW(1,700°K~11,000°K) /MANUAL/AWC/INDOOR/OUTDOOR
Shutter Speed	1/60(1/50)~1/120,000sec	
Sense up	Auto(Selectable limit 2X~256X)/Fixed/Off	Auto(Selectable limit 2X~512X)/Fixed/Off
Backlight	BLC/WDR/HLC/OFF	BLC/SSDR/HLC/OFF
AGC	LOW/HIGH/OFF	
DNR(3D)	ON(0~32)/OFF	
Motion Detection	ON/OFF(8 Zone)	
Privacy Zone	ON/OFF(8 Zone)	ON/OFF(12 Zone)
Mirror, Freeze	H/V/BOTH, ON/OFF	
Day & Night	Electronic(AUTO, COLOR, B/W)	
DIS	ON/OFF	
Digital Zoom	ON(10X)/OFF	ON(16X)/OFF
Blemish Compensation	256 Point(Even 128 point, Odd 128 point)	
Lens	CS mount	
Power Supply	12V DC or 24V AC(Dual Voltage) - Option	
Current Consumption	MAX. 160mA(at 12V DC)	
Operation Temp.	-10°C ~ 50°C	
Preservation Temp.	-20°C ~ 60°C	
Dimension	50(W) X 57(H) X 90(D) mm	
Weight	Approx. 300g	

## ADVANCED HIGH RESOLUTION DAY & NIGHT CAMERA

# SK-B140, SK-B140X

### Features

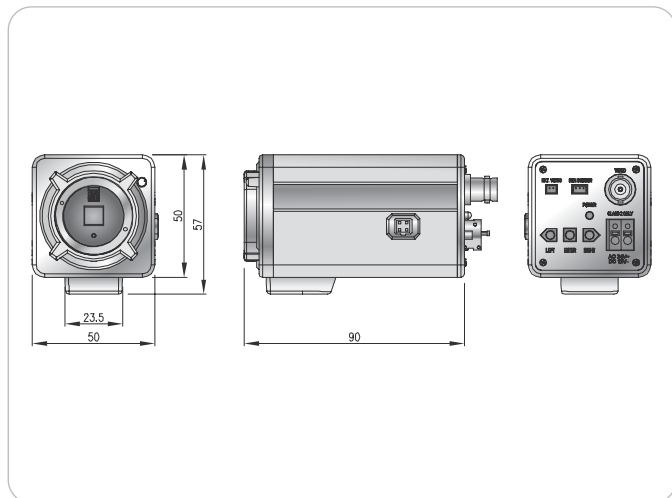
- Advanced high res. : 550TV-Line(SONY HQ1 Chipset)
- 1/3" COLOR SONY SUPER HAD CCD : SK-B140  
1/3" COLOR SONY EXview HAD CCD : SK-B140X
- True Day & Night function(Exchange of two filters)
- Option : 12V DC or 24V AC Dual voltage with Line-Lock
- Perfect D&N operation with dual photoconductive sensor
- Dynamic blemish compensation
- Video test connector for easy installation
- Functions are controllable by the push buttons with semi OSD



STANDARD C&CS  
CAMERA

### Dimension

Unit : mm



### Specification

MODEL	SK-B140	SK-B140X
Image Sensor	1/3" COLOR SONY SUPER HAD CCD	1/3" COLOR SONY EXview HAD CCD
Pixel	410K	
Scanning	2:1 Interlace	
Sync. Type	Internal/External(Line-Lock) - Option	
Resolution	Color : 550TV-Line, B/W : 600TV-Line	
Video Output	1.0Vp-p(Sync. Negative) Termination 75Ω±10%	
S/N Ratio	45dB(AGC OFF)	
Min. Illumination	0.05Lux	0.01Lux
Day & Night	True D&N(AUTO/COLOR/BW)	
OSD	Semi OSD	
Lens Mount	C/CS Mount	
Gamma	γ=0.45 typ	
Gain Control	LOW/MIDDLE/HIGH	
Shutter Speed	1/60(1/50) ~ 1/100,000sec	
Power Supply	24V AC or Regulated 12V DC Dual Voltage	
Current Consumption	Max. 350mA(at 12V DC, 24V AC)	
Operation Temp.	-10°C ~ 50°C	
Preservation Temp.	-20°C ~ 60°C	
Dimension	50(W)x57(H)x90(D)mm	
Weight	Approx. 300g	

## ADVANCED HIGH RESOLUTION DAY&NIGHT CAMERA

# SK-B141, SK-B161

### Features

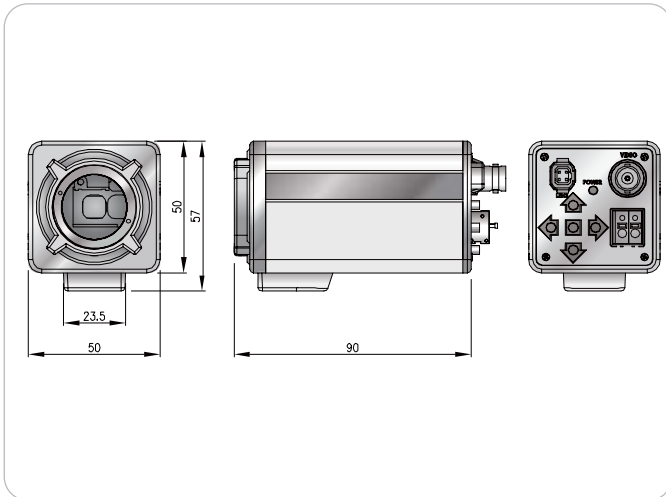
- Advanced high res. : 530TV-Line
- 1/3" COLOR SONY SUPER HAD CCD II
- True Day & Night function(Exchange of two filters) : SK-B141
- 12V DC power with non-polarity
- Functions are controllable by the push buttons with full OSD
- MULTI FUNCTION : Multi-language OSD, Privacy zone masking, Mirror, 64 step BLC, Motion Detection



STANDARD C&CS  
CAMERA

### Dimension

Unit : mm



### Specification

MODEL	SK-B141	SK-B161
Image Sensor	1/3" COLOR SONY SUPER HAD CCD II	
Pixel	410K	
Scanning	2:1 Interlace	
Sync. Type	Internal	
Resolution	Color : 530TV-Line, B/W : 580TV-Line	
Video Output	1.0Vp-p(Sync. Negative) Termination 75Ω±10%	
Min.Illumination	0.01Lux	0.1Lux
Gamma	γ=0.45 typ	
Day & Night	True D&N(Filter Exchange)	Electronic D&N
S/N Ratio	48 dB(AGC OFF)	
Gain Control	256 Level	
Shutter Speed	1/60(1/50) ~ 1/100,000 sec	
Power Supply	Regulated 12V DC ±10%	
Current Consumption	Max. 150mA(at 12V DC)	
Lens Mount	CS Mount	
Operation Temp.	-10°C ~ 50°C	
Preservation Temp.	-20°C ~ 60°C	
Dimension	50(W)x57(H)x90(D)mm	
Weight	Approx. 300g	



## ADVANCED HIGH RESOLUTION COLOR CAMERA

# SK-B160, SK-B160X

### Features

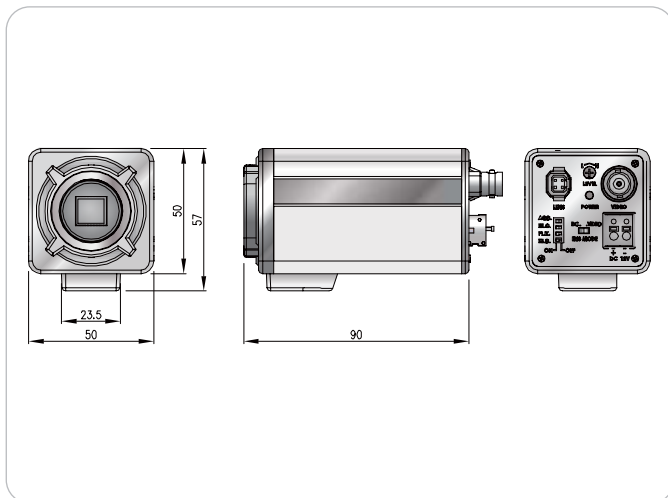
- 550TV-Line(SONY HQ1 Chipset)
- Dynamic blemish compensation
- 1/3" COLOR SONY SUPER HAD CCD : SK-B160  
1/3" COLOR SONY EXview HAD CCD : SK-B160X
- Anti-color rolling
- AGC High, BLC, Flickerless, ELC-ON/OFF



STANDARD C&CS  
CAMERA

### Dimension

Unit : mm



### Specification

MODEL	SK-B160	SK-B160X
Image Sensor	1/3" COLOR SONY SUPER HAD CCD	1/3" COLOR SONY EXview HAD CCD
Pixel	410K	
Scanning	2:1 Interlace	
Sync. Type	Internal	
Resolution	550TV-Line	
Video Output	1.0Vp-p(Sync. Negative) Termination 75Ω	
Min.Illumination	0.1Lux	0.05Lux
	F/1.2, Video level 40IRE, AGC High	
S/N Ratio	45 dB or More(AGC OFF)	
Gamma	$\gamma=0.45$ typ	
Iris Lens	ELC/DC/VIDEO	
BLC	ON/OFF	
AGC High	ON/OFF	
Flickerless	ON/OFF	
White Balance	ATW	
Shutter Speed	ELC ON : 1/60 ~ 1/100,000 sec(NTSC) 1/50 ~ 100,000 sec(PAL)	
	ELC OFF : 1/60 sec(NTSC), 1/50 sec(PAL)	
	FLK ON : 1/100 sec(NTSC), 1/120 sec(PAL)	
Power Supply	Regulated 12V DC $\pm 10\%$	
Current Consumption	Max. 180mA(at 12V DC)	
Operation Temp.	-10°C ~ 50°C	
Preservation Temp.	-20°C ~ 60°C	
Dimension	50(W)x57(H)x90(D)mm	
Weight	Approx. 200g	

## MINI BOX CAMERA

# SK-B260, SK-B270

### Features

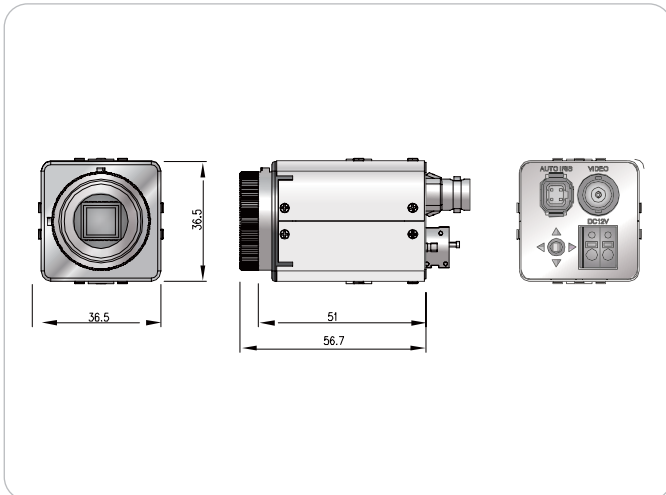
- 1/3" COLOR SHARP HIGH SENSITIVITY CCD
- High resolution - 530 TV Line : SK-B260
- Low power consumption
- Electronic Day & Night
- Camera ID, Mirror, Motion Detection, Privacy zone function
- Multi-language(English, Japanese, Chinese, Korean) support
- Functions are controllable by the push buttons with full OSD



STANDARD C&CS  
CAMERA

### Dimension

Unit : mm



### Specification

MODEL	SK-B260	SK-B270
Image Sensor	1/3" COLOR SHARP HIGH SENSITIVITY CCD	
Pixel	410K	270K
Scanning	2:1 Interlace	
Sync. Type	Internal	
Resolution	Color : 530TV-Line B/W : 580TV-Line	Color : 380TV-Line B/W : 430TV-Line
Video Output	1.0Vp-p(Sync. Negative) Termination 75Ω	
S/N Ratio	48dB or More(AGC OFF)	
Gamma	γ=0.45 typ.	
Min. Illumination	0.1Lux(F/1.2)	0.05Lux(F/1.2)
Iris	ELC/DC	
Shutter Speed	ELC ON : 1/60(1/50) ~ 1/100,000sec ELC OFF : 1/60(1/50)sec FLK ON : 1/100(1/120)sec	
Day & Night	Electronic D&N(AUTO/COLOR/BW)	
BLC	ON/OFF(64 step, 64 area)	
AGC High	ON/OFF(256 step)	
Flickerless	ON/OFF	
White Balance	ATW/AWB/FIXED/MANUAL	
OSD	YES	
Motion Detection	ON/OFF(256 step, 64 area)	
Privacy Zone	ON/OFF(4 Zone)	
Mirror	ON/OFF	
Power Supply	Regulated 12V DC ± 10%	
Current Consumption	Max. 110mA(at 12V DC)	
Lens Mount	CS Mount	
Operation Temp.	-10°C ~ 50°C	
Preservation Temp.	-20°C ~ 60°C	
Dimension	36.5(W)x36.5(H)x56.7(D) mm	
Weight	Approx. 100g	

## C & CS B/W LOW LUX CAMERA

# SK-2006AI, SK-2006XAI, SK-2046AI, SK-2046XAI

### Features

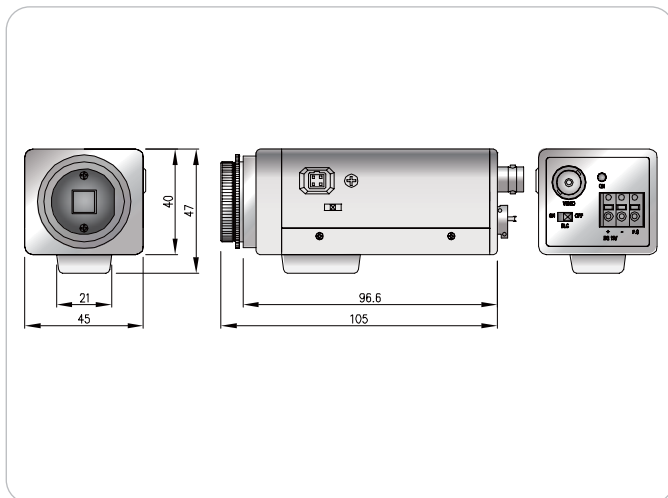
- 1/3" B/W SONY SUPER HAD CCD : SK-2006AI, SK-2046AI
- 1/3" B/W SONY EXview HAD CCD : SK-2006XAI, SK-2046XAI
- High Resolution : SK-2046AI, SK-2046XAI
- C/CS mount lens available
- BLC(Back light compensation) ON/OFF
- Min. illumination : 0.003Lux(SK-2006XAI)



STANDARD C&CS  
CAMERA

### Dimension

Unit : mm



### Specification

MODEL	SK-2006AI SK-2006XAI	SK-2046AI SK-2046XAI
Image Sensor	1/3" B/W SONY SUPER HAD CCD 1/3" B/W SONY EXview HAD CCD	
Pixel	270K	410K
Scanning	2:1 Interlace	
Sync. Type	Internal	
Video Output	1.0Vp-p Composite	
Min. Illumination	0.05Lux(F/1.2) 0.003Lux(F/1.2)	0.09Lux(F/1.2) 0.009Lux(F/1.2)
S/N Ratio	45dB or More(AGC OFF)	
Resolution	400TV-Line	570TV-Line
Gamma	$\gamma=0.45$ typ.	
Lens Mount	C/CS Mount	
Shutter Speed	1/60(1/50) ~ 1/100,000sec	
Power Supply	Regulated 12V DC $\pm 10\%$	
Current Consumption	Max. 145mA	Max. 150mA
Operation Temp.	$-10^{\circ}\text{C} \sim 50^{\circ}\text{C}$	
Preservation Temp.	$-20^{\circ}\text{C} \sim 60^{\circ}\text{C}$	
Dimension	45(W)x47(H)x105(D) mm	

## MINIATURE CAMERA

# SK-C865

### Features

- Supreme Resolution(600TV-Line : Color)
- 1/3" COLOR SONY Super HAD CCD II or 1/3" COLOR SHARP HS CCD II
- Multi-language Full OSD support
- Electronic Day & Night
- MULTI FUNCTION : Lens Shading Compensation, High Light Mask, Motion Detection, Privacy Mask, Defect Pixel Correction
- Board, Pinhole, Cone pinhole lens available

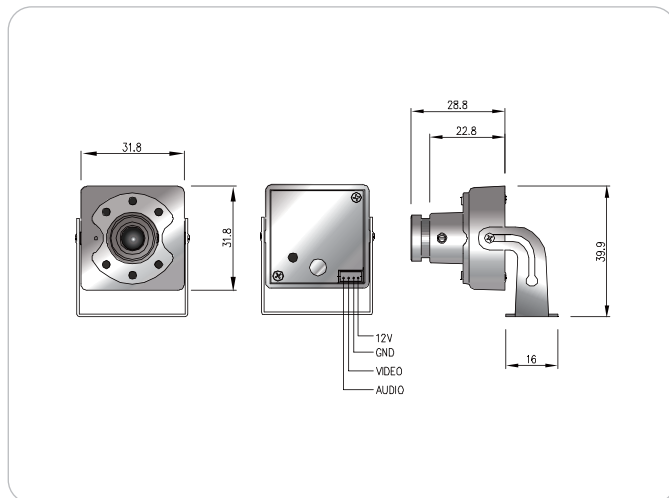
NEW



MINIATURE CAMERA

### Dimension

Unit : mm



### Specification

Model	SK-C865/SO	SK-C865/SH
Image Sensor	1/3" COLOR SONY SUPER HAD CCD II	1/3" COLOR SHARP HS CCD II
Pixel	410K	
Scanning System	2:1 Interlace	
Sync. Type	Internal	
Resolution	600 TV-LINE(COLOR)	
S/N Ratio	48dB or More(AGC OFF)	
Video Output	1.0 Vp-p(Sync. Negative) Termination 75Ω	
Min. Illumination	0.1 Lux(F/1.2)	
Gamma	$\gamma=0.45$ typ.(0.45, 0.6, 1.0, user)	
OSD	Yes(Multi Language)	
White Balance	ATW(2,500°K~9,500°K)/MANUAL/AWC	
Shutter Speed	1/60(1/50)~1/100,000sec	
Backlight	BLC/HLC/OFF	
AGC	LOW/MIDDLE/HIGH/OFF	
Motion Detection	ON/OFF(64 Block)	
Privacy Zone	ON/OFF(4 Zone)	
Mirror	ON/OFF	
Lens	Board, Pinhole, Cone pinhole lens	
Day & Night	Electronic D&N	
Power Supply	Regulated 12V DC $\pm 10\%$	
Current Consumption	MAX. 80mA(at 12V DC)	
Operation Temp.	-10°C ~ 50°C	
Preservation Temp.	-20°C ~ 60°C	
Dimension	31.8(W) X 31.8(H) X 28.8(D) mm	
Weight	Approx. 50g	

## MINIATURE IR CAMERA

# SK-C160IR, SK-C170IR

### Features

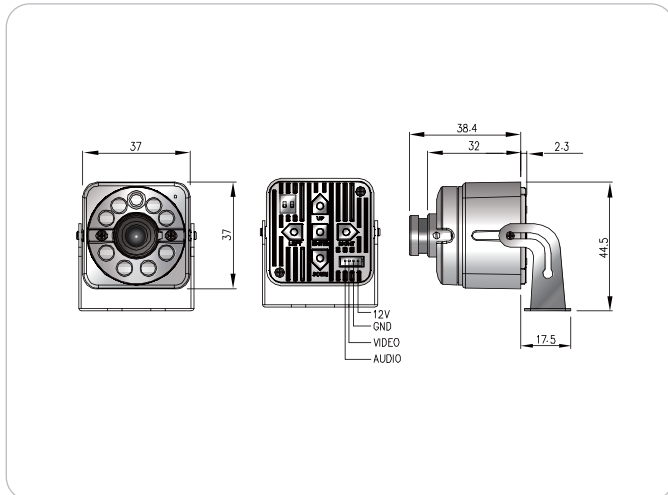
- Compact size(37mm x 37mm)
- 1/3" COLOR SONY SUPER HAD CCD II
- Advanced high res : 530TV-Line(SK-C160IR)
- 10M range visible in total darkness with 8pcs of IR-LEDs
- Electronic Day & Night
- Low power consumption
- Camera ID, Mirror, Motion Detection, Privacy zone function
- Multi-Language(English, Japanese, Chinese, Korean)
- Functions are controllable by the push buttons with full OSD



MINIATURE  
CAMERA

### Dimension

Unit : mm



### Specification

Model	SK-C160IR	SK-C170IR
Image Sensor	1/3"COLOR SONY SUPER HAD CCD II	
Pixel	410K	270K
Scanning	2:1 Interlace	
Sync. Type	Internal	
Resolution	530TV-Line(Color)	380TV-Line(Color)
Video Output	1.0Vp-p(Sync. Negative) Termination 75Ω±10%	
S/N Ratio	48dB or More(AGC OFF)	
	0Lux(10m Range) : IR LED ON	
Min. Illumination	0.1Lux:LED OFF	0.05Lux:LED OFF
Day & Night	Electronic D&N(AUTO)	
BLC	ON/OFF(64 step, 64 area)	
AGC High	ON/OFF(256 step)	
Flickerless	ON/OFF	
Privacy Zone	ON/OFF(4 zone)	
White Balance	ATW/AWB/FIXED/MANUAL	
Lens	Fixed focal lens	
Gamma	γ=0.45 typ	
Shutter Speed	1/60(1/50) ~ 1/100,000sec	
Power Supply	Regulated 12V DC±10%	
Current Consumption	Max. 200mA(at 12V DC)	
Operation Temp.	-10°C ~ 50°C	
Preservation Temp.	-20°C ~ 60°C	
Dimension	37(W)x37(H) mm	
Weight	Approx. 100g	

## MINIATURE CAMERA

# SK-C364, SK-C560, SK-C500, SK-2115, SK-2155, SK-2005, SK-2081

### Features

- Miniature Size
- Board, pinhole, cone pinhole lens available



MINIATURE  
CAMERA



### SK-C364

- SIZE : 37(W)x37(H)x31.2(D)mm
- Board, pinhole, cone pinhole lens
- SK-C364, SK-C364PH, SK-C364PH5
- 1/3" COLOR SONY SUPER HAD CCD
- 410K PIXEL, 0.5LUX



### SK-C560

- SIZE : 31.8(W)x31.8(H)x29.6(D)mm
- Board, pinhole, cone pinhole lens
- 1/3" COLOR SONY SUPER HAD CCD(II)
- SK-C560, SK-C560PH, SK-C560PH5 : 410K PIXEL, 0.5 LUX
- SK-C500, SK-C500PH, SK-C500PH5 : 270K PIXEL, 0.05 LUX



### SK-2155

- SIZE : 31(W)x31(H)x26.2(D)mm
- Board, cone pinhole lens
- SK-2155, SK-2155PH5
- 1/3" COLOR CMOS
- 320K PIXEL, 0.1LUX



### SK-2115

- SIZE : 37(W)x37(H)x31.2(D)mm
- Board, pinhole, cone pinhole lens
- SK-2115, SK-2115PH5
- 1/4" COLOR SONY SUPER HAD CCD
- 270K PIXEL, 0.1LUX



### SK-2005

- SIZE : 31(W)x31(H)x28(D)mm
- Board, pinhole, cone pinhole lens
- SK-2005, SK-2005PH, SK-2005PH5 : 1/3" B/W SONY SUPER HAD CCD : 270K PIXEL, 0.05 LUX
- SK-2005X, SK-2005XPH, SK-2005XPH5 : 1/3" B/W SONY EXview HAD CCD : 270K PIXEL, 0.003 LUX



### SK-2081

- SIZE : 25(W)x25(H)x28.1(D)mm
- Board, pinhole, cone pinhole lens
- SK-2081, SK-2081PH, SK-2081PH5 : 1/3" B/W SONY SUPER HAD CCD : 270K PIXEL, 0.05LUX
- SK-2081X, SK-2081XPH, SK-2081XPH5 : 1/3" B/W SONY EXview HAD CCD : 270K PIXEL, 0.003 LUX

# SK-M504, SK-M410AI, SK-1009, SK-1004, SK-M201

## Features

- Miniature size
- Board lens, pinhole, cone pinhole lens available
- 1/3" SONY CCD

CAMERA  
MODULE

### SK-M504

Color Standard Resolution

- Size : 32(W)x32(H)
- 1/3" COLOR SONY SUPER HAD CCD II
- 270K PIXEL, 0.05LUX
- Board, pinhole, cone pinhole lens



### SK-M410AI

Advanced High Resolution(Sony HQ1)

- SIZE : 38(W)x38(H)
- 1/3" COLOR SONY SUPER HAD CCD II
- 410K PIXEL, 550TV-Line, 0.1LUX
- Board, vari-focal lens



### SK-1009

B/W Standard Resolution with IR LED

- Size : 54(W)x38(H)
- SK-1009
- 1/3" B/W SONY SUPER HAD CCD
- 270K PIXEL, 0.05LUX
- Board lens, IR LED 6ea



### SK-1004

B/W Standard Resolution

- Size : 32(W)x32(H)
- SK-1004
- 1/3" B/W SONY SUPER/EXview HAD CCD
- 270K PIXEL, 0.05LUX/0.003LUX
- Board, pinhole, cone pinhole lens  
(Various size available)



### SK-M201

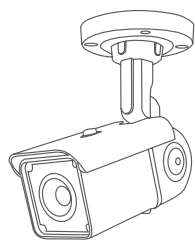
B/W High Resolution

- Size : 32(W)x32(H)
- SK-M201
- 1/3" B/W SONY SUPER/EXview HAD CCD
- 410K PIXEL, 0.09LUX/0.003LUX
- Board, pinhole, cone pinhole lens  
(38x38mm with auto-iris lens available)

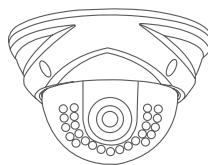


# NETWORK CAMERA

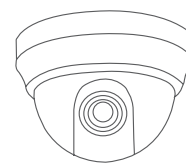
The Best Security Solution, Huviron's Technology!



SK-N290  
SK-N190XAI/R1



SK-N590XAI  
SK-N590IRXAI



SK-N490X(AI)/DN



# NETWORK PTZ DOME CAMERA : 1.3 Mega Pixel Progressive scan CCD

## SK-N290

### Features

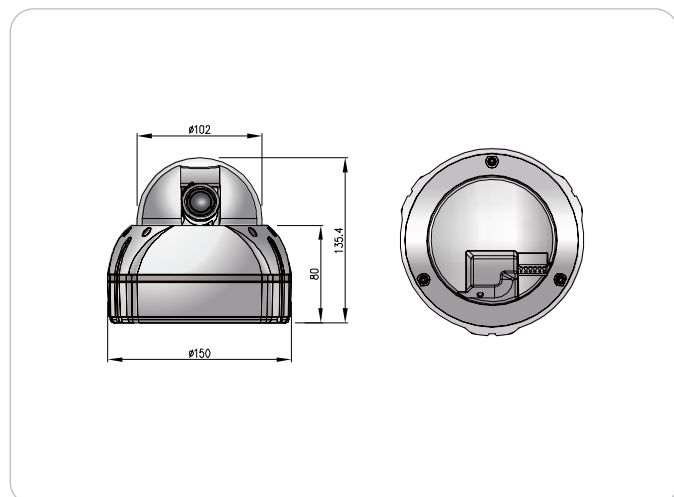
- Network compact PTZ dome camera over IP networks
- 1/3 Mega pixel Progressive scan SONY EXview HAD CCD
- High quality images up to QVGA(1280x960)
- Dual codec(MPEG4/MJPEG)
- Optical 3.6X zoom(Focus Free)
- Max 93°/sec panning
- Pan : 360°(Endless) , Tilt : 5°~90°
- 30 Preset positions
- Weather-proof
- Built-in web server
- DDNS support
- OSD, Motion Detection, E-Zoom(12X)
- POE(Power Over Ethernet)



NETWORK  
CAMERA

### Dimension

Unit : mm



### Specification

Model	SK-N290
Image Sensor	1/3" SONY Progressive Scan EXview HAD CCD
Pixel	1.3Mega Pixel
Resolution	1280 x 960(MJPEG), 640 x 480 / 320 x 240(MPEG4)
Frame Rate	1280x960:15fps(NTSC)/12.5fps(PAL) 640x480,320x240:30fps(NTSC)/25fps(PAL)
Compression Codec	MPEG4/MJPEG(Dual Codec)
OS	Embedded Linux
IP	Static/Dynamic IP
DDNS	Support
Protocol	HTTP, FTP, TCP/IP, DHCP, ARP, DNS, ICMP, RTSP
Multi Connection	10 users
Bit rate	Max 64Kbps~5,000Kbps
DAY&NIGHT	Color
Function	BLC/SENSE UP/MOTION DETECTION/ Electronic Zoom(12X)/MIRROR(H/V/R)
Alarm In/Out	IN 1EA / OUT 1EA
Min. Illumination	0.01Lux(Sense up Auto 4X)
Zoom Magnification	Optical 3.6X, Digital 12X
Focal Length	f=2.8(W)~10.0(T)mm/F1.2(W)~2.7(T)
Angle of view(D)	131.6°(Wide End), 35.6°(Tele End)
Pan/Tilt Speed	Pan : 9°/s~ 93°/s, Tilt : 9°/s~ 66°/s
Pan/Tilt Angle	Pan : 360°(Endless), Tilt : 5°~ 90°
Operation Temp.	-10°C ~ 50°C
Preservation Temp.	-20°C ~ 60°C
Dimension	Ø150 X 135.4(H)mm
Weight	Approx 1.2kg
Power	Regulated 12V DC ± 10%, PoE(Power Over Ethernet)
Current Consumption	Max. 1A(at 12V DC)

## NETWORK IR CAMERA : 1.3 Mega Pixel Progressive scan CCD

# SK-N190XAI/R1

### Features

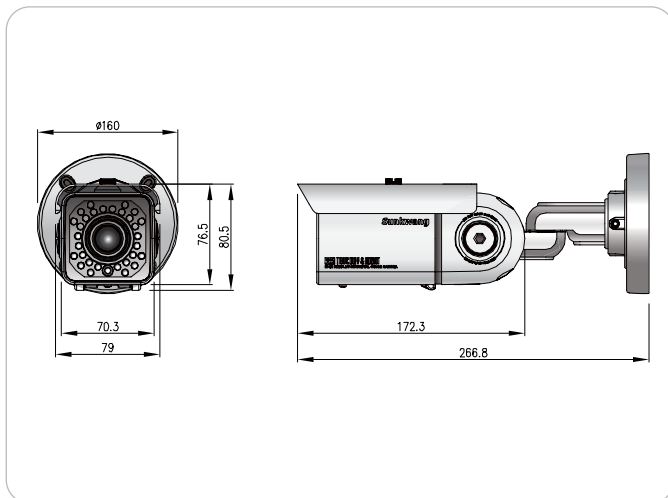
- Network IR camera over IP networks
- 1/3" Mega pixel Progressive scan SONY EXview HAD CCD
- High quality images up to QVGA(1280x960)
- Dual Codec(MPEG4/MJPEG)
- Built-in Web server
- DDNS support
- True Day & Night function(Exchange of two filters)
- Built-in 30pcs of IR LEDs
- OSD, Motion detection, E-Zoom(12X), Privacy zone
- Built-in 3-AXIS bracket(Wall & Ceiling Mount)
- Weather-proof(IP65)
- Long visible range at night(40m range, Indoor)
- POE(Power Over Ethernet)



NETWORK  
CAMERA

### Dimension

Unit : mm



### Specification

MODEL	SK-N190XAI/R1
Image Sensor	1/3" Progressive scan SONY EXview HAD CCD
Pixel	1.3Mega Pixel
Resolution	1,280x960(JPEG), 640x480(MPEG4)
Frame Rate	1,280x960 : 15fps(NTSC)/12.5fps(PAL) 640x480, 320x240 : 30fps(NTSC)/25fps(PAL)
Compression Codec	MPEG4/MJPEG(Dual Codec)
OS	LINUX
IP	Static/Dynamic IP
DDNS	Support
Protocol	HTTP, FTP, TCP/IP, DHCP, ARP, DNS, ICMP, RTSP
Multi Connection	10 USERS
Bit Rate	Max. 64Kbps ~ 5000Kbps
Day & Night	True D&N(AUTO, COLOR, BW)
Function	BLC/SENSE UP/MOTION DETECTION/PRIVACY ZONE/ ELECTRONIC ZOOM(12X)/MIRROR(H/V/R)
Min. Illumination	0 Lux(40M Range) : LED ON, Sense-up 4X - LED 30 pcs
Power Supply	Regulated 12V DC $\pm$ 10%, POE
Current Consumption	Max. 1A(at 12V DC)
Lens	Vari-focal auto iris mega pixel lens
Operation Temp.	-10°C ~ 50°C
Preservation Temp.	-20°C ~ 60°C
Dimension	79(W)x80.5(H)x172.3(D)mm
Weight	Approx. 1.22kg

# SK-N590XAI

## Features

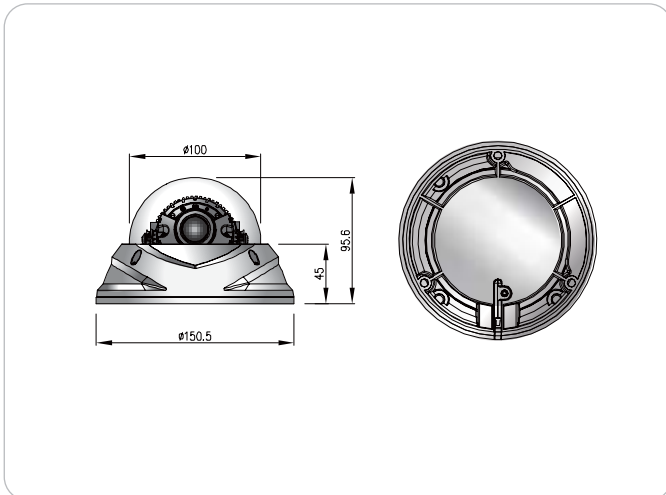
- Network vandal-proof dome camera over IP networks
- 1/3" Mega pixel Progressive scan SONY EXview HAD CCD
- High quality images up to QVGA(1280x960)
- Dual Codec(MPEG4/MJPEG)
- Built-in Web server
- DDNS support
- OSD, Motion detection, E-Zoom(12X), Privacy zone
- True Day & Night function(Exchange of two filters)
- Waterproof(IP67)
- 3-AXIS Bracket for 3D(Pan/Tilt/Roll) rotation
- POE(Power Over Ethernet)
- Option : Heater



NETWORK CAMERA

## Dimension

Unit : mm



## Specification

Model	SK-N590XAI
Image Sensor	1/3" Progressive scan SONY EXview HAD CCD
Pixel	1.3Mega Pixel
Resolution	1,280x960(MJPEG), 640x480(MPEG4)
Frame Rate	1,280x960 : 15fps(NTSC)/12.5fps(PAL) 640x480, 320x240 : 30fps(NTSC)/25fps(PAL)
Compression Codec	MPEG4/MJPEG(Dual Codec)
OS	LINUX
IP	Static/Dynamic IP
DDNS	Support
Protocol	HTTP, FTP, TCP/IP, DHCP, ARP, DNS, ICMP, RTSP
Multi Connection	10 users
Bit Rate	Max. 64Kbps ~ 5000Kbps
Day & Night	True D&N(AUTO/COLOR/BW)
Function	BLC/SENSE UP/MOTION DETECTION/PRIVACY ZONE/ Electronic ZOOM(12X)/MIRROR(H/V/R)
Min. Illumination	0.01Lux(Sense up Auto 4X)
Power Supply	Regulated 12V DC , POE
Current Consumption	Max. 500mA(at 12V DC)
Lens	Vari-focal auto Iris mega pixel lens
Option	Fixed focal lens
Operation Temp.	-10°C ~ 50°C
Preservation Temp.	-20°C ~ 60°C
Dimension	Ø150.5x95.6(H)mm

# NETWORK VANDAL-PROOF IR DOME CAMERA: 1.3 Mega Pixel Progressive scan CCD

## SK-N590IRXAI

### Features

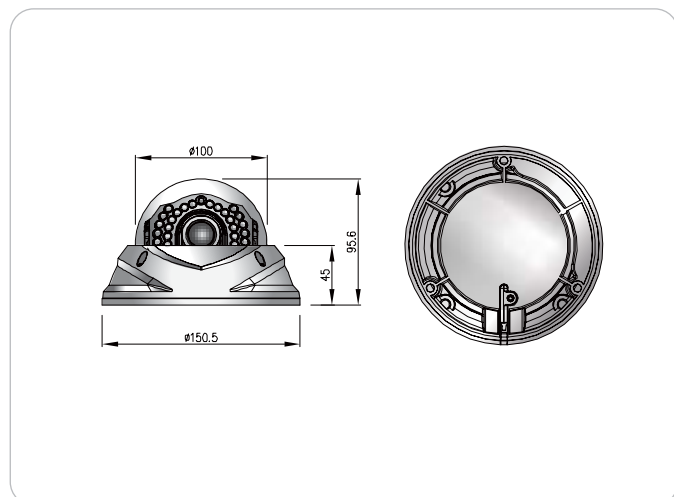
- Network vandal-proof IR dome camera over IP networks
- 1/3" Mega pixel Progressive scan SONY EXview HAD CCD
- High quality images up to QVGA(1280x960)
- Dual Codec(MPEG4/MJPEG)
- Built-in Web server
- DDNS support
- OSD, Motion detection, E-Zoom(12X), Privacy zone
- True Day & Night function(Exchange of two filters)
- 25M range visible in total darkness with 24pcs of IR LEDs(Indoor)
- Waterproof(IP67)
- 3-AXIS Bracket for 3D(Pan/Tilt/Roll) rotation
- POE(Power Over Ethernet)
- Option : Heater



NETWORK  
CAMERA

### Dimension

Unit : mm



### Specification

Model	SK-N590IRXAI
Image Sensor	1/3" Progressive scan SONY EXview HAD CCD
Pixel	1.3Mega Pixel
Resolution	1,280x960(MJPEG), 640x480(MPEG4)
Frame Rate	1,280x960 : 15fps(NTSC)/12.5fps(PAL) 640x480, 320x240 : 30fps(NTSC)/25fps(PAL)
Compression Codec	MPEG4/MJPEG(Dual Codec)
OS	LINUX
IP	Static/Dynamic IP
DDNS	Support
Protocol	HTTP, FTP, TCP/IP, DHCP, ARP, DNS, ICMP, RTSP
Multi Connection	10 users
Bit Rate	Max. 64Kbps ~ 5000Kbps
Day & Night	True D&N(AUTO/COLOR/BW)
Function	BLC/SENSE UP/MOTION DETECTION/PRIVACY ZONE/ Electronic ZOOM(12X)/MIRROR(H/V/R)
LED	IR LED 24pcs
Min. Illumination	0Lux(25M Range) : LED ON - Indoor 0.01Lux(Sense up Auto 4X) : LED OFF
Power Supply	Regulated 12V DC, POE
Current Consumption	Max. 1A(at 12V DC)
Lens	Vari-focal auto Iris mega pixel lens
Option	Fixed focal lens
Operation Temp.	-10°C ~ 50°C
Preservation Temp.	-20°C ~ 60°C
Dimension	Ø150.5x95.6(H)mm

## NETWORK DOME CAMERA : 1.3 Mega Pixel Progressive scan CCD

# SK-N490XAI, SK-N490XAI/DN

### Features

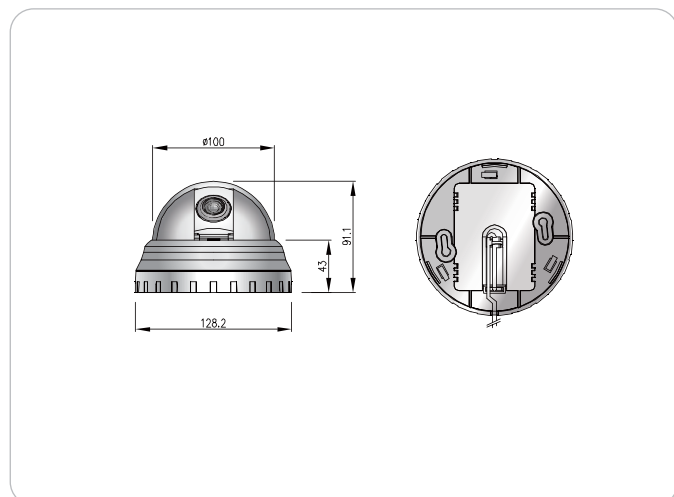
- Network dome camera over IP networks
- 1/3" Mega pixel Progressive scan SONY EXview HAD CCD
- High quality images up to QVGA(1280x960)
- Dual Codec(MPEG4/MJPEG)
- Built-in Web server
- DDNS support
- OSD, Motion detection, E-Zoom(12X), Privacy zone
- True Day & Night(Exchange of two filters) : SK-N490XAI/DN



NETWORK  
CAMERA

### Dimension

Unit : mm



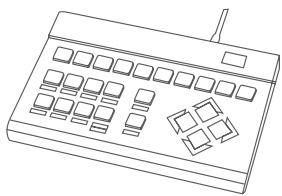
### Specification

Model	SK-N490XAI	SK-N490XAI/DN
Image Sensor	1/3" Progressive scan SONY EXview HAD CCD	
Pixel	1.3Mega Pixel	
Resolution	1,280x960(JPEG), 640x480(MPEG4)	
Frame Rate	1,280x960 : 15fps(NTSC)/12.5fps(PAL) 640x480, 320x240 : 30fps(NTSC)/25fps(PAL)	
Compression Codec	MPEG4/MJPEG(Dual Codec)	
OS	LINUX	
IP	Static/Dynamic IP	
DDNS	Support	
Protocol	HTTP, FTP, TCP/IP, DHCP, ARP, DNS, ICMP, RTSP	
Multi Connection	10 users	
Bit Rate	Max. 64Kbps ~ 5000Kbps	
Day & Night	COLOR	True D&N(AUTO, COLOR, BW)
Function	BLC/SENSE UP/MOTION DETECTION/PRIVACY ZONE/ELECTRONIC ZOOM(12X)/MIRROR(H/V/R)	
Min. Illumination	0.01Lux(Sense up Auto 4X)	
Power Supply	Regulated 12V DC $\pm$ 10%	
Current Consumption	Max. 500mA(at 12V DC)	
Lens	Vari-focal auto iris mega pixel lens	
Option	Fixed focal lens	
Operation Temp.	-10°C ~ 50°C	
Preservation Temp.	-20°C ~ 60°C	
Dimension	Ø128.2x91.1(H)mm	

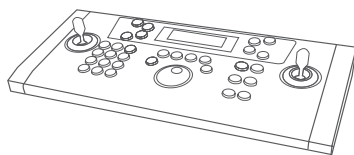


# CONTROLLER

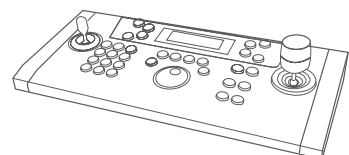
The Best Security Solution, Huviron's Technology!



SK-AR11



SK-AR12



SK-AR13

## SYSTEM CONTROLLER

# SK-AR12, SK-AR13

### Features

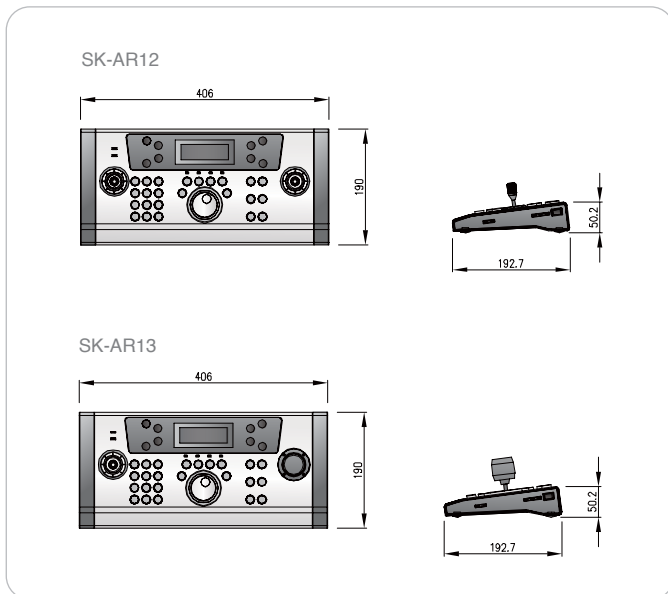
- Multi-controller (Various protocol and transmission speed)
- Built-in jog dial & two joysticks
- Twin 2-Axis joystick : SK-AR12
- 3-Axis joystick + 2-Axis joystick : SK-AR13
- Compatible with PTZ, DVR & other equipment



CONTROLLER

### Dimension

Unit : mm



### Specification

MODEL	SK-AR12 , SK-AR13
Protocol	SK-P Protocol Wonwoo Protocol Pelco-D Protocol Pelco-P Protocol
Baud Rate	2400 bps 4800 bps 9600 bps
Communication	RS-485/RS-422
Power Supply	Regulated 12V DC±10%
Current Consumption	Max. 270mA at 12V DC
Operation Temp.	-10°C ~ 50°C
Preservation Temp.	-20°C ~ 60°C
Dimension	406(W)x190(H)x50.2(D)mm
Weight	Approx. 1.1kg
Max Control	255
LCD	20 Charactersx4 Lines

## CONTROLLER

# SK-AR11/R1

### Features

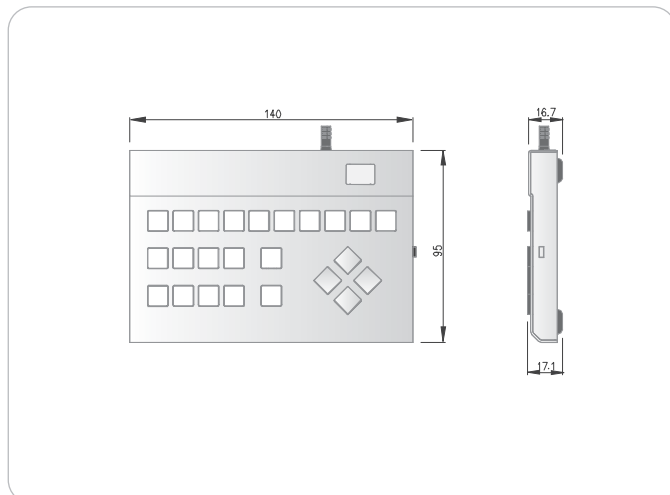
- Controller for SK-D106, D107, V106, V107 series



CONTROLLER

### Dimension

Unit : mm



### Specification

MODEL	SK-AR11/R1
Protocol	SK-P, Pelco-D&P
Date Transfer Speed	2400 ~ 9600 bps
Communication	RS-485
Power Supply	Regulated 12V DC±10%
Current Consumption	Max.100mA at 12V DC
Operation Temp.	-10°C ~ 50°C
Preservation Temp.	-20°C ~ 60°C
Dimension	140(W)x95(H)x16.7(D)mm
Weight	Approx. 400 g

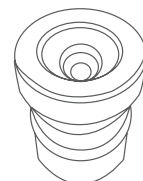
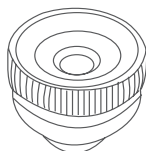
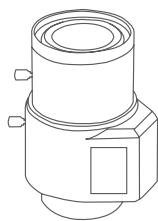
\* 99 cameras controllable





# LENS

The Best Security Solution, Huviron's Technology!



## VARI-FOCAL LENS

# SKV-2810M, 358M, 550M, 2810D, 358D, 550D



LENS

### Specification

MODEL	SKV-2810M	SKV-358M	SKV-550M	SKV-2810D	SKV-358D	SKV-550D
Focal Length	2.8-10mm	3.5-8mm	5-50mm	2.8-10mm	3.5-8mm	5-50mm
F/No.	1.4 ~ 2.4	1.4 ~ 1.8 ~ 1.8	1.8	1.4 ~ 2.4	1.4 ~ 1.8	2.8-10
Mount	CS	CS	CS	CS	CS	CS
Back Focal Length(mm)	7.8~1.7	8.4 ~ 14.2	7.6 ~ 11.0	7.8 ~ 1.7	8.4 ~ 14.2	7.6 ~ 11.0
Angle of view	104°~ 36°	97°~ 42°	63°~ 69°	104°~ 36°	97° ~ 42°	63° ~ 69°
Iris	Manual (1.4-360)	Manual (1.4-C)	Manual (1.4-C)	DC (1.4-360)	DC (1.4-360)	DC (1.4-360)
Group Element	8G/9E	8G/8E	9G/12E	9G/10E	8G/8E	9G/12G
Image Format	1/3"	1/3"	1/3"	1/3"	1/3"	1/3"
Dimension(mm)	60.3(L)xØ46	45.3(L)xØ33	61.5(L)xØ44	48.9(L)x40(W)x46(H)	45.3(L)x39(W)x45(H)	61.5(L)x44.5(W)x50.8(H)
Effective Diameter(mm)	Ø21.7(Front)	Ø17.5(Front)	Ø37.7(Front)	Ø21.7(Front)	Ø17.5(Front)	Ø37.7(Front)
	Ø8.5(Rear)	Ø8.8(Rear)	Ø9.0(Rear)	Ø8.5(Rear)	Ø8.8(Rear)	Ø9.0(Rear)
Weight	Approx. 51g	Approx. 44g	Approx. 130g	Approx. 61g	Approx. 57g	Approx. 140g

# SKB, SKC, SKP SERIES



LENS

## Specification(SKB-9604, 9509, 9508, 9210, 9617) - Board Lens

MODEL	SKB-9604	SKB-9509	SKB-9508	SKB-9210	SKB-9617
Focal Length	2.45mm	2.96mm	3.2mm	3.6mm	4.0mm
Back Focal Length(mm)	5.52mm	3.47mm	4.95mm	4.55mm	6.34mm
Angle of view	1/3" DIAGONAL : 150°	1/3" DIAGONAL : 130°	1/3" DIAGONAL : 110°	1/3" DIAGONAL : 92°	1/3" DIAGONAL : 80°
Dimension(mm)	15x17	14x16.4	14x16.5	14x16.5	14x15.4
F/NO.	F 2.5	F 2.0	F 2.0	F 2.0	F 2.0

## Specification(SKB-9305, 9607, 9610, 9611, 9908) - Board Lens

MODEL	SKB-9305	SKB-9607	SKB-9610	SKB-9611	SKB-9908
Focal Length	4.3mm	6mm	8mm	12mm	16mm
Back Focal Length(mm)	4.18mm	6.4mm	8.5mm	9.2mm	7.5mm
Angle of view	1/3" DIAGONAL : 78°	1/3" DIAGONAL : 53°	1/3" DIAGONAL : 40°	1/3" DIAGONAL : 28°	1/3" DIAGONAL : 20°
Dimension(mm)	14.8x13.9	14x13.4	14x14	14x12	14x15.5
F/NO.	F 2.0	F 1.8	F 2.0	F 2.0	F 2.0

## Specification(SKC-9612, 9411, 9613, 9614, 9615) - C mount Lens

MODEL	SKC-9612	SKC-9411	SKC-9613	SKC-9614	SKC-9615
Focal Length	4mm	6mm	8mm	12mm	16mm
Back Focal Length(mm)	6.43mm or 6.34mm	6.5mm	8.5mm	9.2mm	9.9mm
Angle of view	1/3" DIAGONAL : 80°	1/3" DIAGONAL : 53°	1/3" DIAGONAL : 40°	1/3" DIAGONAL : 28°	1/3" DIAGONAL : 21°
Dimension(mm)	32x23	32x28.7	34x30	34x37	34x35
F/NO.	F 2.0	F 1.8	F 2.8	F 2.0	F 1.6

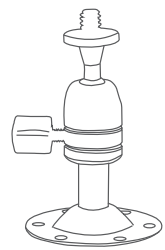
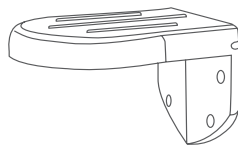
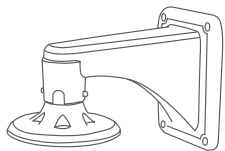
## Specification(SKP-9512, 9412, 9802, 9803, 9803D) - Pinhole Lens

MODEL	SKP-9512	SKP-9412	SKP-9802	SKP-9803	SKP-9803D
Focal Length	3.7mm	5.0mm	3.7mm	4.36mm	4.36mm
Back Focal Length(mm)	3.43mm	5.18mm	3.3mm	3.5mm	3.5mm
Angle of view	1/3" DIAGONAL : 90°	1/3" DIAGONAL : 70°	1/3" DIAGONAL : 90°	1/3" DIAGONAL : 73°	1/3" DIAGONAL : 73°
Dimension(mm)	M12x35	M12x4.3	M12x8.3	M12x8.3	M12x8.9
F/NO.	F 3.5	F 3.5	F 2.0	F 2.3	F 2.3
	FLAT TYPE			CONICAL TYPE	



# ACCESSORY

The Best Security Solution, Huviron's Technology!

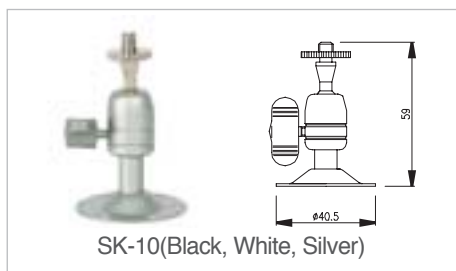


STAND BRACKET

SK-10, 17, 20, 21, 22, 30, 60



ACCESSORY



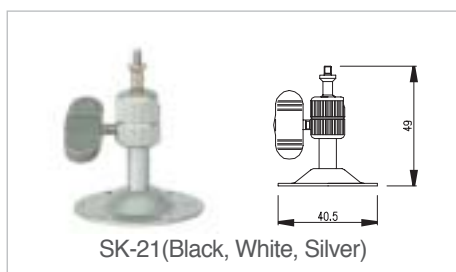
SK-10(Black, White, Silver)



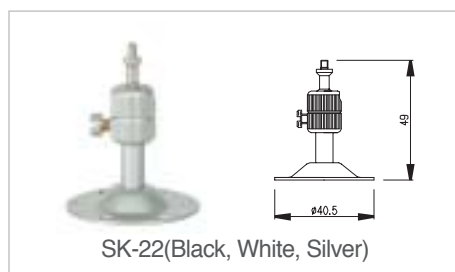
SK-17(Black, White, Silver)



SK-20(Black, White, Silver)



SK-21(Black, White, Silver)



SK-22(Black, White, Silver)



SK-30(Black, White, Silver)



SK-60(Black, White, Silver)

ACCESSORY BRACKET

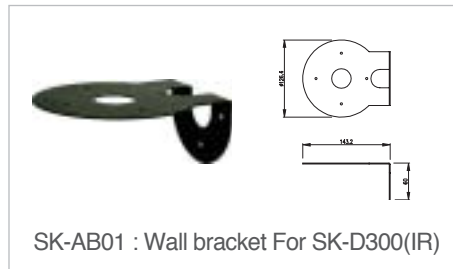
SK-AS01, AB01, AB02, AB03, AB04, AB05, AB06, AB07, AB08



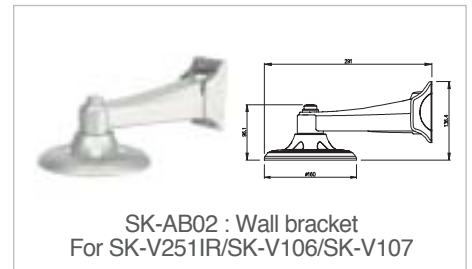
ACCESSORY



SK-AS01 : Sunvisor For SK-H241



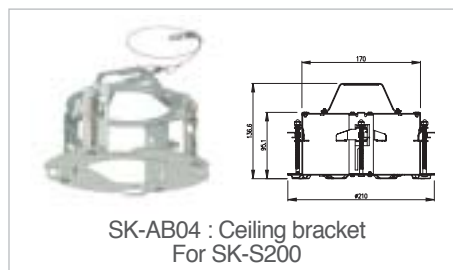
SK-AB01 : Wall bracket For SK-D300(IR)



SK-AB02 : Wall bracket  
For SK-V251IR/SK-V106/SK-V107



SK-AB03 : Base tray  
For SK-V251IR



SK-AB04 : Ceiling bracket  
For SK-S200



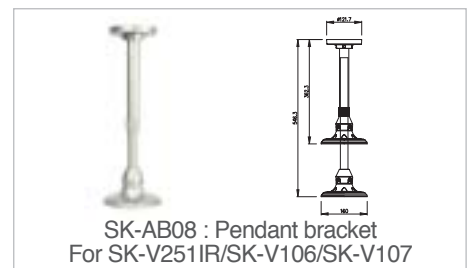
SK-AB05 : In-Ceiling bracket  
For SK-S200



SK-AB06 : Indoor wall bracket  
For SK-S200



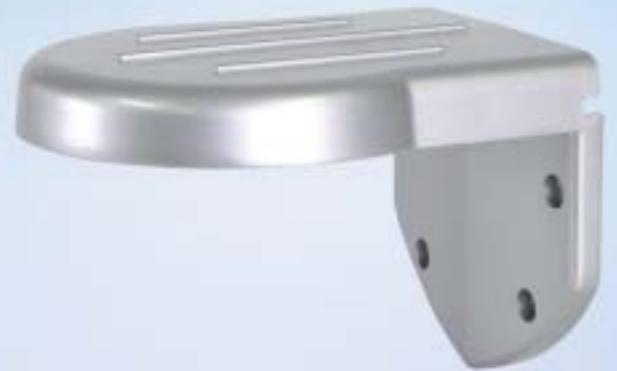
SK-AB07 : Indoor pendant bracket  
For SK-S200



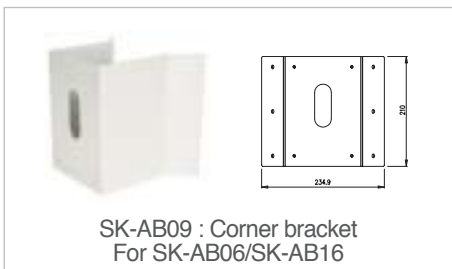
SK-AB08 : Pendant bracket  
For SK-V251IR/SK-V106/SK-V107

ACCESSORY BRACKET

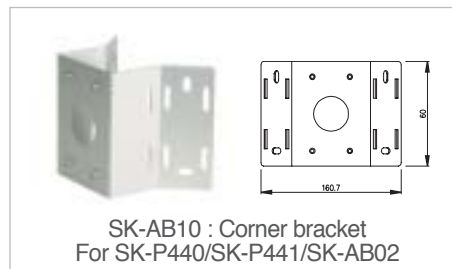
SK-AB09, AB10, AB11, AB12, AB14, AB15, AB16, AB17, AB18, AB19, AB20, AB21



ACCESSORY



SK-AB09 : Corner bracket  
For SK-AB06/SK-AB16



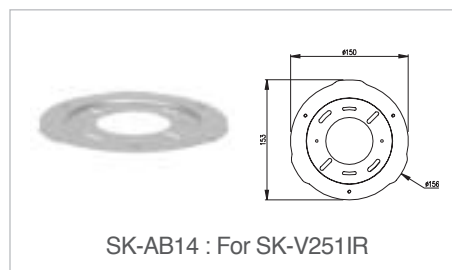
SK-AB10 : Corner bracket  
For SK-P440/SK-P441/SK-AB02



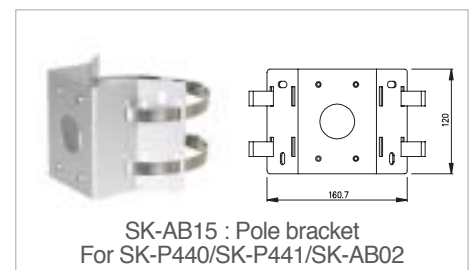
SK-AB11 : Wall bracket  
For SK-D106/SK-D107



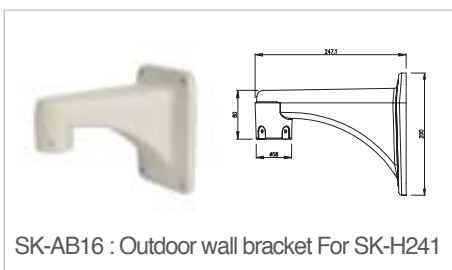
SK-AB12 : Outdoor pendant bracket  
For SK-H241



SK-AB14 : For SK-V251IR



SK-AB15 : Pole bracket  
For SK-P440/SK-P441/SK-AB02



SK-AB16 : Outdoor wall bracket For SK-H241



SK-AB17 : Steel strap For SK-AB18



SK-AB18 : Pole bracket For SK-AB16



SK-AB19 : Wall bracket For Dome Cameras



SK-AB20 : Wall bracket For SK-V207IR

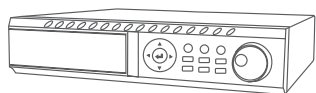


SK-AB21 : Ceiling bracket For SK-V207IR



# DVR

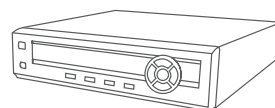
The Best Security Solution, Huviron's Technology!



SK-R348/16



SK-R312/4  
SK-R324/8  
SK-R324/16



SK-R312/4L  
SK-R324/8L



COST EFFECTIVE STANDALONE DVR - H.264

# SK-R312/4L, SK-R324/8L

## Features

- Low-priced embedded 4CH/8CH DVR with unbeatable performance & stability
- Advanced H/W type of H.264 codec for both recording & networking
- 120/100fps@Half-D1, 60/50fps@full D1 recording speed
- Full operation by USB mouse, IR remote controller
- Different recording resolution & frame setting in each channel independently



STANDALONE  
DVR

## Dimension

Unit : mm



## SK-R312/4L, SK-R324/8L

## Specification

ITEM		SK-R312/4L	SK-R324/8L
Compression		Video : H.264, Audio : G723.1	
HDD & CD/DVD Bay		1xSATA HDD	
Operating System		Embedded Linux	
Video	Input	4Ch	8Ch
Video Mode		NTSC/PAL Selectable	
Display Speed(NTSC/PAL)		120/100 fps(Real-time Display)	240/200fps(Real-time Display)
Screen Modes		1, 4 & PIP	1,4,9 & PIP
Monitor Output	VGA Board	On Main Board	
	Monitor	Main Monitor(Composite & VGA) & Spot Monitor(Composite) VGA Resolution:640x480, 800x600, 1024x768 & 1280x1024(Selectable)	
Recording Speed (NTSC/PAL)	352x240/288	120/100 fps	240/200 fps
	720x240/288	120/100 fps	
	720x480/576	60/50 fps	
Recording Resolution		NTSC:352x240, 720x240, 720x480, PAL:352x288, 720x288, 720x576	
Recording Modes		Continuous, Scheduled, Sensor-Activated & Motion Detection Recording Pre & Post Alarm Recording, Emergency Recording, Quick Backup	
Playback & Search	Speed	1X, 2X, 4X, 8X, 16X, 32X	
	Function	1, 4(Multi-Channel Playback)	1, 4, 8(Multi-Channel Playback)
		Intelli-Search by Time Bar, Calendar(Date & Time) and Event/system Search	
Audio Input / Output		1 Ch Input/1 Ch Output	
Alarm I/O & Camera Connection		M : N Mapping	
Alarm Input / Output		4Ch/1Ch	
PTZ Control & Port		Virtual Joy-Stick Control on screen by mouse Pan/Tilt/Zoom/Focus/Iris, RS-485 Port	
LAN		10/100 Base-Tx Ethernet(RJ45) - Fixed IP, DHCP & DDNS Video Dual-stream(Local recording&Network transmission)	
Network	Function	Live Monitoring, Remote Playback and File Backup(Triplex-on-Remote)	
		Remote & E-Mail Notification, Remote System Reboot by IE	
Remote PTZ Control		Pan/Tilt/Zoom/Focus/Iris	
Remote Management	Software	RMS(RemoteManager)	
	Web(IE)	Live Monitoring, Playback & System Configuration	
Backup device		Local backup by USB memory stick and Network backup by CMS	
System Recovery after Power Failure		Auto-Reboot and Journaling File System	
Advanced Functions		Multi-Language, System Upgrade by USB/Network, Configuration Import/Export, Water-Mark System Temperature Checking and Warning Alarm for Over-Temperature	
System Operation		Front Button, IR Remote Controller, USB Mouse, Keyboard(Optional)	
Storage Temperature and Humidity		-20°C ~ 60°C / 20% ~ 95% RH	
Operating Temperature and Humidity		5°C ~ 40°C / 20% ~ 80% RH	
Power		12V DC, 3A	
Dimension		270(W)X215(D)X71(H)mm	

# SK-R312/4, SK-R324/8, SK-R324/16, SK-R348/16

## Features

- Advanced H/W type of H.264 codec for both recording & networking
- 480/400fps@1CIF, 240/200fps@1CIF, 120/100fps@Half-D1, or 60/50fps@full D1 recording speed
- Full colored-GUI in Windows-alike S/W platform
- Full operation by USB mouse, IR remote controller
- Different recording resolutions & frame setting in each channel independently

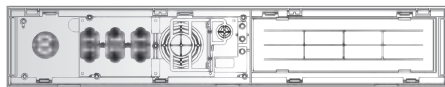
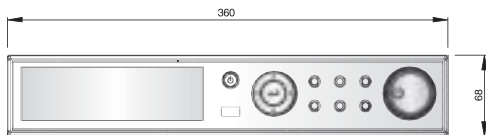


STANDALONE  
DVR

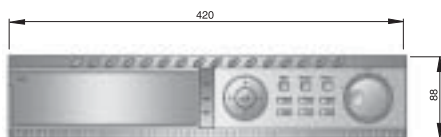
## Dimension

Unit : mm

SK-R312/4, SK-R324/8, SK-R324/16



SK-R348/16



## SK-R312/4, SK-R324/8, SK-R324/16, SK-R348/16

## Specification

ITEM		SK-R312/4	SK-R324/8	SK-R324/16	SK-R348/16
Compression		Video : H.264, Audio : G723.1			
HDD & DVD Bay	Internal	2xSATA HDD + 1xSATA DVD	4xSATA HDD(Max) or 2xSATA HDD + 1xSATA DVD		4xSATA HDD or 3xSATA HDD + 1xSATA DVD
	External	External USB Memory Stick via USB 2.0 Port(For Backup)			
Operating System		Embedded Linux			
Video	Input	4Ch	8Ch	16Ch	16Ch
	Loop-Out	4Ch(Default)	8Ch(Default)	16Ch D-Sub(Optional)	16Ch(Default)
Video Signal		NTSC/PAL Selectable			
Display Speed(NTSC/PAL)		120/100 fps(Real-time Display)	240/200fps(Real-time Display)	480/400 fps(Real-time Display)	480/400fps(Real-time Display)
Screen Modes		1, 4 & PIP	1,4,9 & PIP	1,4,9,16 & PIP	1,4,9,16 & PIP
Monitor Output		Main Monitor Output(Composite, VGA) Spot Monitor Output(Composite)			
Recording Speed (NTSC/PAL)	352x240/288	120/100 fps	240/200 fps	240/200 fps	480/400 fps
	720x240/288	120/100 fps	120/100 fps	120/100 fps	240/200 fps
	720x480/576	60/50 fps	60/50 fps	60/50 fps	120/100 fps
Recording Resolution		NTSC:352x240, 720x240, 720x480, PAL:352x288, 720x288, 720x576			
Recording Modes		Continuous, Scheduled, Sensor-Activated & Motion Detection Recording Pre & Post Alarm Recording, Emergency Recording, Quick Backup			
Playback & Search	Speed	1X, 2X, 4X, 8X, 16X, 32X			
	Function	1,4,9 & 16 Ch(Multi-Channel Playback) Intelli-Search by Time Bar and Calendar(Date & Time) & Event Search			
Audio Input / Output		4Ch / 1Ch			8Ch / 1Ch
Alarm I/O & Camera Connection		M : N Mapping			
Alarm Input / Output		4Ch / 4Ch	8Ch / 4Ch	16Ch / 4Ch	16Ch / 4Ch
PTZ Control & Port		Virtual Joy-Stick Control on Screen by mouse Pan/Tilt/Zoom/Focus/Iris, RS-485 Port			
LAN		10/100 Base-Tx Ethernet(RJ45) - Fixed IP, DHCP & DDNS			
Network Transmission	Function	Video Dual-stream(Local recording&Network transmission) Live Monitoring, Remote Playback and File Backup(Triplex-on-Remote) Remote & E-mail Notification, Remote system reboot by IE			
		Pan/Tilt/Zoom/Focus/Iris			
Remote PTZ Control		Remote Configuration, Live Monitoring, E-Map & System Healthy Checking			
Backup Device	Internal	DVD Burner(Optional)			
	External	Local backup by USB memory stick and Network backup by CMS			
System Recovery after Power Failure		Auto-Rebooting and Journaling File System			
Advanced Functions		Multi-Language, System Upgrade by USB/Network, Configuration Import/Export, Water-Mark System & HDD Temperature Checking and Warning Alarm for Over-Temperature			
System Operation		Front Button, IR Remote Controller, USB Mouse, Keyboard(Optional)			
Storage Temperature and Humidity		-20°C ~ 60°C / 20% ~ 95% RH			
Operating Temperature and Humidity		5°C ~ 40°C / 20% ~ 80% RH			
Power		12V DC, 5A		12V DC, 7A	100~220V AC 50~60Hz
Dimension		360(W)X355(D)X68(H)mm			420(W)x458(H)x88(D)mm
Remote Software		RemoteManager(16Ch) & Web Browser & CMS			
Certifications		CE & FCC & MIC & WEEE, RoHS			

# SYSTEM Configuration



DVD

